



# Video Intercom System



AVE PATENT N° 257  
EU MODEL

DESIGN:  
L. MERLETTI

AVE MATERIAL MUST BE INSTALLED BY QUALIFIED PEOPLE AND THE PLANT MUST BE TESTED BY AN EXPERT, ACCORDING TO THE CURRENT STANDARDS

THE INSTALLER TAKES CARE TO LEAVE HIS NAME AND ADDRESS TO THE CUSTOMER AND PREFERABLY ALSO THE NAME AND ADDRESS OF THE LOCAL TECHNICAL SUPPORT CENTRE

## 2-WIRE RANGE VIDEO INTERCOM

System Description	<b>184</b>
System details	<b>190</b>
Power supply and amplifier	<b>196</b>
Audio-video outdoor station - “Villa” Model	<b>200</b>
Audio-video outdoor station - “Building” Model	<b>204</b>
Boxes and installation accessories	<b>207</b>
Signal distributor and auxiliary relay	<b>208</b>
Audio-video indoor station	<b>218</b>

## IP RANGE VIDEO INTERCOM

System Description	<b>226</b>
Installation examples	<b>234</b>
Audio-video outdoor station - “Villa” Model	<b>246</b>
Audio-video outdoor station - “Building” Model	<b>250</b>
Boxes and installation accessories	<b>253</b>
Audio-video indoor station	<b>254</b>
Accessories	<b>262</b>



# VIDEO INTERCOM SYSTEM System Description

184

## 2wire TECHNOLOGY



- Simplified wiring: all the indoor and outdoor stations can be powered directly from the 2-wire bus
- A wide range of devices suitable for all needs, 4 types of indoor stations and 4 outdoor stations complete with all accessories
- Dedicated APP for remote call management for iOS and Android devices
- Indoor monitors with high definition LCD
- Intercom calls within the apartment and between multiple apartments





### Indoor Stations

The AVE V44 EASY video intercom system consists of a complete range of indoor stations with handset and hands-free and attractive aesthetics. The internal monitors range from the device with a 4.3" display, suitable for the needs of each customer, to the 7" touch screen monitor with a simple and attractive user interface. Both devices are equipped with soft touch buttons. All this is completed with the flagship of the 2-wire range: the advanced monitor with 7" WI-FI touch screen display that allows remote management of your system through the AVE V44 Remote application.

### Outdoor Stations

The AVE 2 wire V44 EASY video intercom system offers different types of outdoor stations in order to integrate with the various functional and aesthetic needs in a variety of residential and tertiary settings. The following are available:

**“Villa” models:** single-call, two-call, four-call outdoor stations, all of which can be associated with the eight-call auxiliary column. Their compactness makes them ideal for installation on poles with 100 mm side.

**Building Model:** outdoor station with 7" touch screen that allows users to be viewed via scrolling columns or numeric keypad.

The single-call, two-call and building outdoor stations are equipped with a MIFARE® card reader to manage the main entrance using a card.







# VIDEO INTERCOM SYSTEM

## System Description

### AUDIO-VIDEO OUTDOOR STATION - "VILLA" MODEL

186

- Sophisticated design for classy environments
- Two-material design:  
Aluminium and tempered glass
- Protection rating IP44
- Flush-mounted and/or wall-mounted installation
- Orientable camera
- Integrated MIFARE card reader®
- Name cards removable from front
- Management of three relays (two on board the device and one on the auxiliary module) for access opening purposes



VI2F-PE1



VI2F-PE2



#### MIFARE TRANSPONDER ACCESS CONTROL®

The outdoor stations of the V44 EASY and V44 SMART video intercom systems employ MIFARE® contactless technology, which guarantees reliability even for auxiliary access control (available on the 'Villa' model one- and two-call outdoor stations and on the 'Building' model). The system makes use of the cards' unique codes with no need to write data onto them. This leaves the option of using the same card with third-party systems (not supplied by AVE), allowing a very wide range of services to be provided to customers, to which they will have access via the same entry card.

The V44 EASY and V44 SMART video intercom systems can handle two types of cards: MASTER and USER:

- MASTER: is used to match USER-type cards to the outdoor station;
- USER is used to open the main entrance (power output contact).

- Backlighting of name cards with low-power LEDs, coloured white and with varying intensity depending on ambient lighting
- Up to 36 calls can be managed
- LED night lighting for improved image quality
- Adjustable speaker volume
- Speaker 8 Ohm 2W
- Installable on 100 mm posts/columns



**VI2F-PE4**



**VI-PEAUX**



**VI-PEAUX4**



### ORIENTABLE CAMERA

The outdoor stations of the V44 EASY and V44 SMART video intercom systems are equipped with a camera that can be oriented during installation to allow optimal coverage of the outdoor environment.

### ADJUSTABLE VOLUME

The loudness of the speaker can be adjusted by means of a potentiometer located on the rear of the device.



HOME AUTOMATION

HOTEL MANAGEMENT

VIDEO INTERCOM

ANTI INTRUSION

WIRING DIAGRAMS AND PRESCRIPTIONS



# VIDEO INTERCOM SYSTEM

## System Description

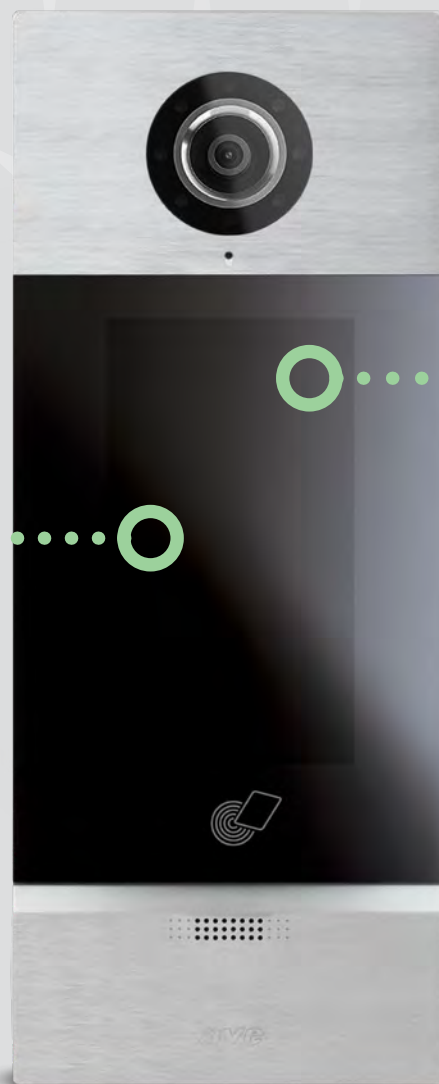
### AUDIO-VIDEO OUTDOOR STATION - 'BUILDING' MODEL

- Sophisticated design for classy environments
- Two-material design: Aluminium and tempered glass
- Up to 128 calls can be managed
- Integrated MIFARE card reader®
- Orientable camera
- Display of name list or of numeric keypad



#### NAME LIST FUNCTION

the display of the outdoor station 'BUILDING' model can be configured to display the user list with one or two columns. Scrolling through the pages is also possible by means of arrows located at the top of the LCD screen



VI2F-PE7T



#### KEYPAD FUNCTION

the display of the outdoor station model 'BUILDING' can be configured to display the numeric keypad to dial the extension number. It is also possible to search for a desired user via a dedicated page.

- Management of three relays (two on board the device and one on the auxiliary module) for access opening purposes
- Adjustable loudspeaker volume via software parameter
- Speaker 8 Ohm 2W
- Flush-mounted and/or wall-mounted installation
- Protection rating IP44
- Input for analogue camera management



### MIFARE TRANSPONDER ACCESS CONTROL®

The outdoor stations of the V44 EASY and V44 SMART video intercom systems employ MIFARE® contactless technology, which guarantees reliability even for auxiliary access control (available on the 'Villa' model one- and two-call outdoor stations and on the 'Building' model).

The system makes use of the cards' unique codes with no need to write data onto them. This leaves the option of using the same card with third-party systems (not supplied by AVE), allowing a very wide range of services to be provided to customers, to which they will have access via the same entry card.

The V44 EASY and V44 SMART video intercom systems can handle two types of cards: MASTER and USER:

- MASTER: is used to match USER-type cards to the outdoor station;
- USER is used to open the main entrance (power output contact).



### ADJUSTABLE VOLUME

The loudness of the speaker can be adjusted by means of a software parameter.



### ORIENTABLE CAMERA

The outdoor stations of the V44 EASY and V44 SMART video intercom systems are equipped with a camera that can be oriented during installation to allow optimal coverage of the outdoor environment.







# VIDEO INTERCOM SYSTEM

## System Description

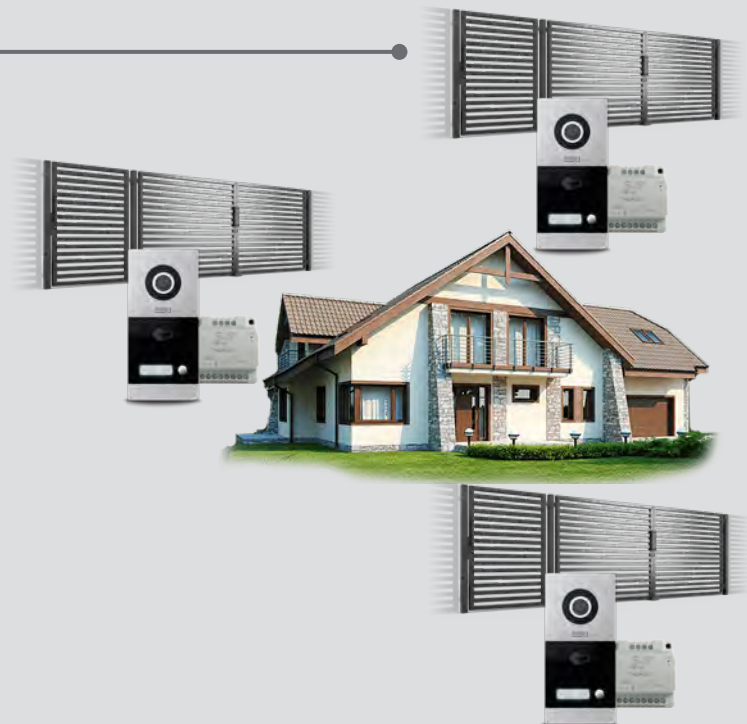
### SYSTEM DETAILS

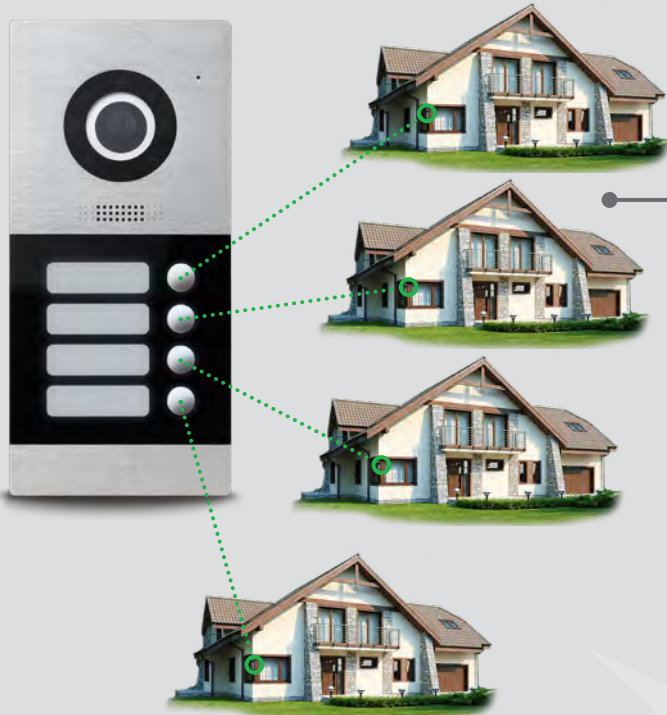
190

*THE OUTDOOR STATION MANAGES 2 OPENINGS: THE FIRST WITH POWER RELAY OUTPUT AND THE SECOND WITH A 'NORMALLY OPEN' CONTACT A RELAY ON AN AUXILIARY MODULE, WITH A POTENTIAL-FREE CONTACT OUTPUT, IS ALSO AVAILABLE*



*THE DWELLING UNIT CAN HAVE UP TO THREE OUTDOOR STATIONS, EACH WITH ITS OWN ADDITIONAL OPENING MANAGEMENT EXPANSION*





*THE OUTDOOR  
STATION IS CAPABLE  
OF CALLING UP  
TO A MAXIMUM  
OF 4 DWELLING  
UNITS*

X 36



X 128



*A MAXIMUM NUMBER OF 4 AUXILIARY  
COLUMNS CAN BE INSTALLED  
TO EXPAND THE SYSTEM  
UP TO A MAXIMUM  
NUMBER OF  
36 DWELLING UNITS.  
THE INSTALLATION OF A 'BUILDING'  
STATION ALLOWS THE EXPANSION OF THE  
SYSTEM OF UP TO 128 DWELLING UNITS*

HOME AUTOMATION

HOTEL MANAGEMENT

VIDEO INTERCOM

ANTI INTRUSION

WIRING DIAGRAMS  
AND PRESCRIPTIONS



# VIDEO INTERCOM SYSTEM

## System Description

### SYSTEM DETAILS

192



*A SINGLE CALL OF AN  
OUTDOOR STATION IS  
ABLE TO DIALOGUE  
WITH 4 INDOOR  
STATIONS IN THE  
SAME DWELLING UNIT*

*IN THE SAME FLAT,  
MONITORS CAN MAKE  
AND RECEIVE INTERCOM  
CALLS.  
THE INTERCOM HANDSET  
CAN RECEIVE INTERCOM  
CALLS*



*IN THE SAME DWELLING,  
THE INDOOR STATIONS  
OF THE VARIOUS FLATS  
INTERCOMMUNICATE  
WITH EACH  
OTHER*



HOME AUTOMATION

HOTEL MANAGEMENT

VIDEO INTERCOM

ANTI INTRUSION

WIRING DIAGRAMS  
AND PRESCRIPTIONS



*INDOOR STATIONS CAN MONITOR UP  
TO 15 ANALOGUE CAMERAS*





# VIDEO INTERCOM SYSTEM

## System Description

### AUDIO-VIDEO INDOOR STATION

194

The AVE V44 EASY system is equipped with intercom handset and supervisors with touch screen displays with a technologically flawless design, made of glass material. Available in 4,3 "and 7" versions.

#### VI2F-PIT7WF

device is a hands-free audio/video indoor station with 7" colour touch screen display and Wi-Fi connection



#### VI2F-PIT4B

Hands-free audio/video indoor station with 4.3" colour display



**VI2F-PIT7B**

Hands-free audio/video indoor station with 7" colour touch screen display



**VI2F-PICAB**

Intercom handset for wall installation

HOME AUTOMATION

HOTEL MANAGEMENT

VIDEO INTERCOM

ANTI INTRUSION

WIRING DIAGRAMS AND PRESCRIPTIONS

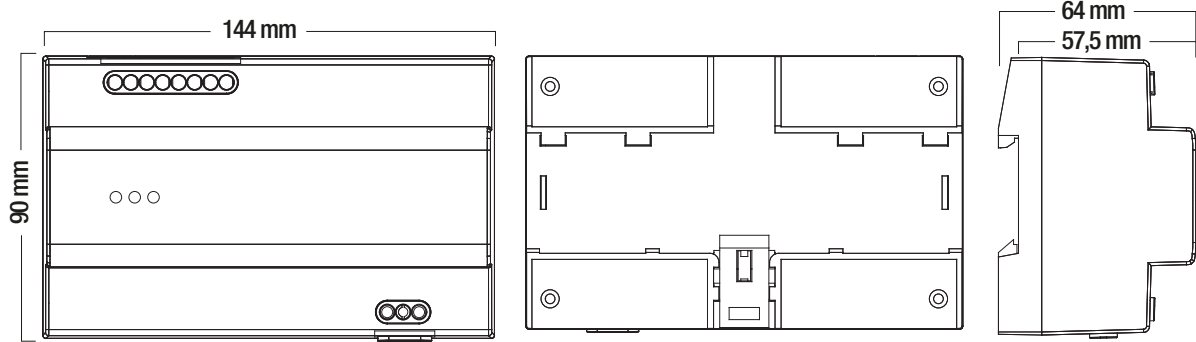


# TECHNICAL CATALOGUE

## 2 WIRE V44 EASY VIDEO INTERCOM

### SYSTEM POWER SUPPLY - Cod. VI2F-ALI

The VI2F-ALI is part of the AVE DOMINA 2-wire Video-intercom system V44 EASY and represents its primary power source. Each device can power up to 32 indoor stations (monitors or handsets).



Art. VI2F-ALI must be installed within the indicated temperature limits and following the instructions in this document.

The device should never be installed under the following conditions:

- where temperatures may be outside the required range;
- under direct sunlight;
- near heat generating devices;
- in places subject to extreme conditions of humidity and condensation;
- in places exposed to dusts, oils, chemicals, salt, etc.;
- in places subject to vibration or shock;
- in places exposed to hot air flows or smoke;
- outdoors or in places exposed to rain.

The device can be installed on DIN rail.

#### LEDS ON BOARD THE DEVICE

The device is fitted with No.3 LEDs:

##### L1: power supply - green

ON in the presence of output voltage - Flashing in case of output overload

##### L2 and L3

Currently not in use

#### TECHNICAL CHARACTERISTICS

Power supply	100 ÷ 240 VAC	Weight	370 g
Rated frequency	50 ÷ 60 Hz	DIN modules	8
No-load absorption	< 0.5 W	Operating temperature	From -10 °C to +55 °C
Max. absorption	800 mArms	Maximum altitude	2000 m a.s.l.
Rated output voltage	30 VDC	Protection rating	IP20 (IP40 when installed)
Rated output current	1.5 A	Environmental class as EN 62820-1-1	CLASS III
Dimensions (L x H x D)	144 x 90 x 64 mm		

#### CONNECTIONS

The meaning of the device connection terminals is illustrated here below:

##### Terminal L

Line V~ input 230VAC

##### Terminal N

Neutral V~ input 230VAC

##### Terminal Bus 1

30 VDC Output (\*)

##### Terminal Bus 2

30 VDC Output (\*)

(\*) The Bus output of the power supply unit can be connected to either the outdoor or indoor station.



VI2F-ALI

2fili  
2wire

**VI2F-ALI**

30V< power supply unit for V44 EASY 2-wire system. It powers the outdoor and indoor stations of the 2-wire video intercom system. Equipped with overload and short-circuit protection. Input voltage 110-240 VAC. Dimensions: 144x90x64 mm (8 DIN modules).

HOME AUTOMATION

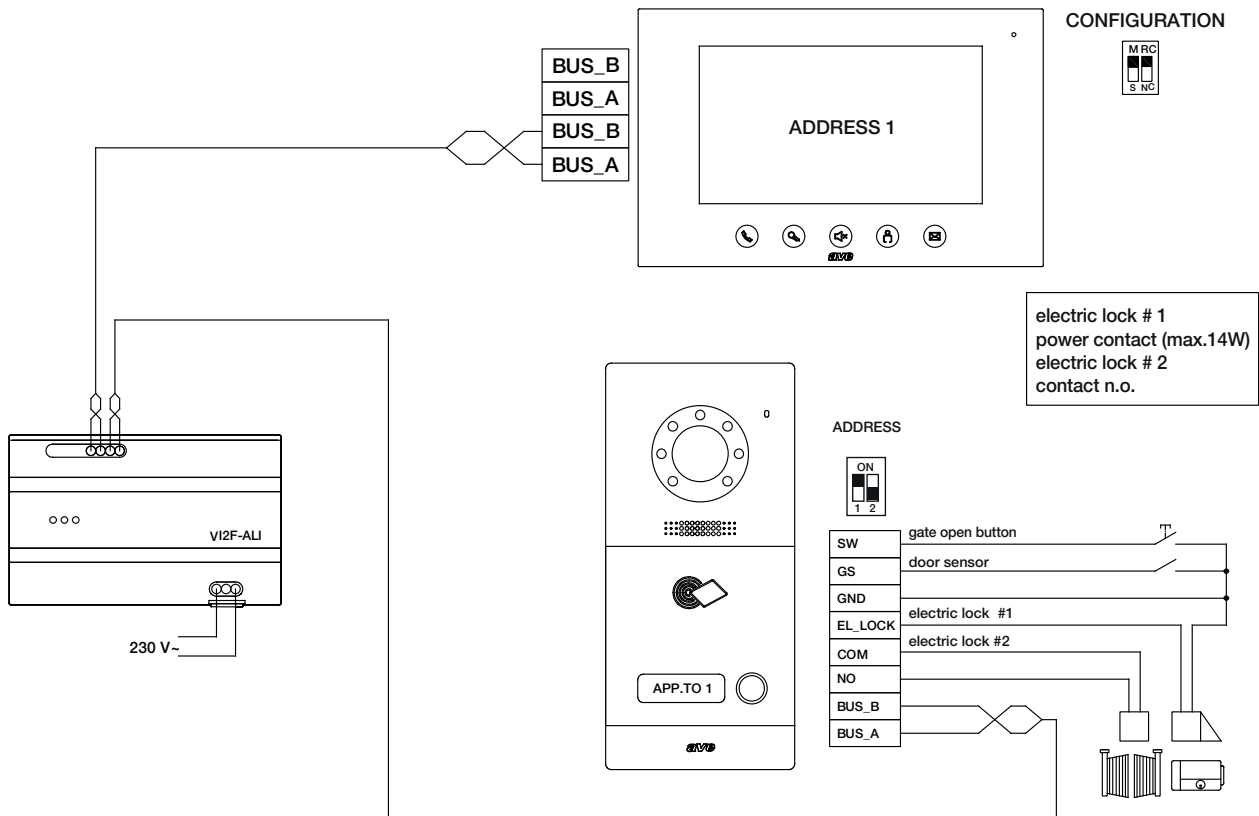
HOTEL MANAGEMENT

VIDEO INTERCOM

ANTI INTRUSION

WIRING DIAGRAMS AND PRESCRIPTIONS

**INSTALLATION EXAMPLE**







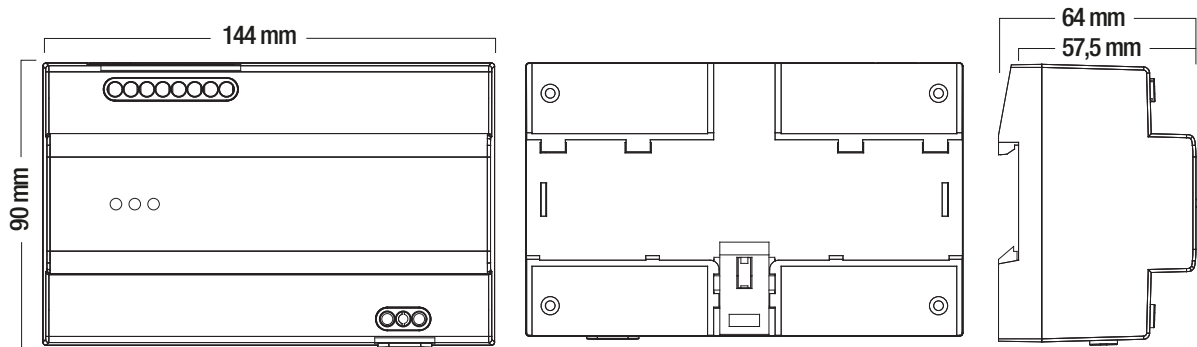
# TECHNICAL CATALOGUE

## 2 WIRE V44 EASY VIDEO INTERCOM

### BUS SIGNAL AMPLIFIER - Cod. VI2F-AMPLI

198

The VI2F-AMPLI is part of the AVE DOMINA 2-wire Video-intercom system V44 EASY and represents its primary power source. Each device can power up to 16 indoor stations (monitors or handsets). Up to 8 devices per system can be installed.



#### INSTALLATION, POSITIONING AND FIXING

Art. VI2F-AMPLI must be installed within the indicated temperature limits and following the instructions in this document.

The device should never be installed under the following conditions:

- where temperatures may be outside the required range;
- under direct sunlight;
- near heat generating devices;
- in places subject to extreme conditions of humidity and condensation;
- in places exposed to dusts, oils, chemicals, salt, etc.;
- in places subject to vibration or shock;
- in places exposed to hot air flows or smoke;
- outdoors or in places exposed to rain.

The device can be installed on DIN rail.

#### LEDS ON BOARD THE DEVICE

The device is fitted with No.3 LEDs:

**L1: red**

Normally OFF; flashing in case of output overload;

**L2: green**

ON with Bus voltage present

Flashes with L3 when receiving data (e.g. start and end of a call, door opening, etc.);

**L3: green**

ON with Bus In > 10 V with a connected and working system;

Flashes with L2 when receiving data (e.g. start and end of a call, door opening, etc.);

#### Caratteristiche tecniche

Power supply	100 ÷ 240 Vac	DIN modules	8
Rated frequency	50 ÷ 60 Hz	Max n. of devices that can be installed	8
No-load absorption	< 0,5 W	Max n. of indoor stations that can be powered	16
Max. absorption	800 mArms	Environmental class as per EN 62820-1-1	CLASS III
Rated output voltage	30 Vcc	Operating temperature	From -10 °C to +55 °C
Rated output current	1,5A	Maximum altitude	2000 m a.s.l.
Dimensions (L x H x D)	144 x 90 x 64 mm	Protection rating	IP20 (IP40 when installed)
Weight	370 g		

#### CONNECTIONS

The meaning of the device connection terminals is illustrated here below:

Terminal L	Terminal N	Terminal Bus OUT	Terminal Bus UP	Terminal Bus IN
Line V~ input	Neutral V~ input	30 Vcc Output	30 Vcc Output	30 Vcc Input

Art. VI2F-AMPLI can power up to 16 indoor monitors. By wiring a second VI2F-AMPLI on the Bus Up Terminals, it is possible to power up to 16 additional indoor monitors. Note the position of Dv1 on the last power supply unit: it is in the RC position, while in the first is in NC position



### VI2F-AMPLI

Signal amplifier for V44 EASY 2-wire system. It increases the number of devices connected to the 2-wire bus. Equipped with overload and short-circuit protection. Input voltage 110-240 V<sub>ac</sub>. Dimensions: 144x90x64 mm (8 DIN modules).

2fil  
2wire

HOME AUTOMATION

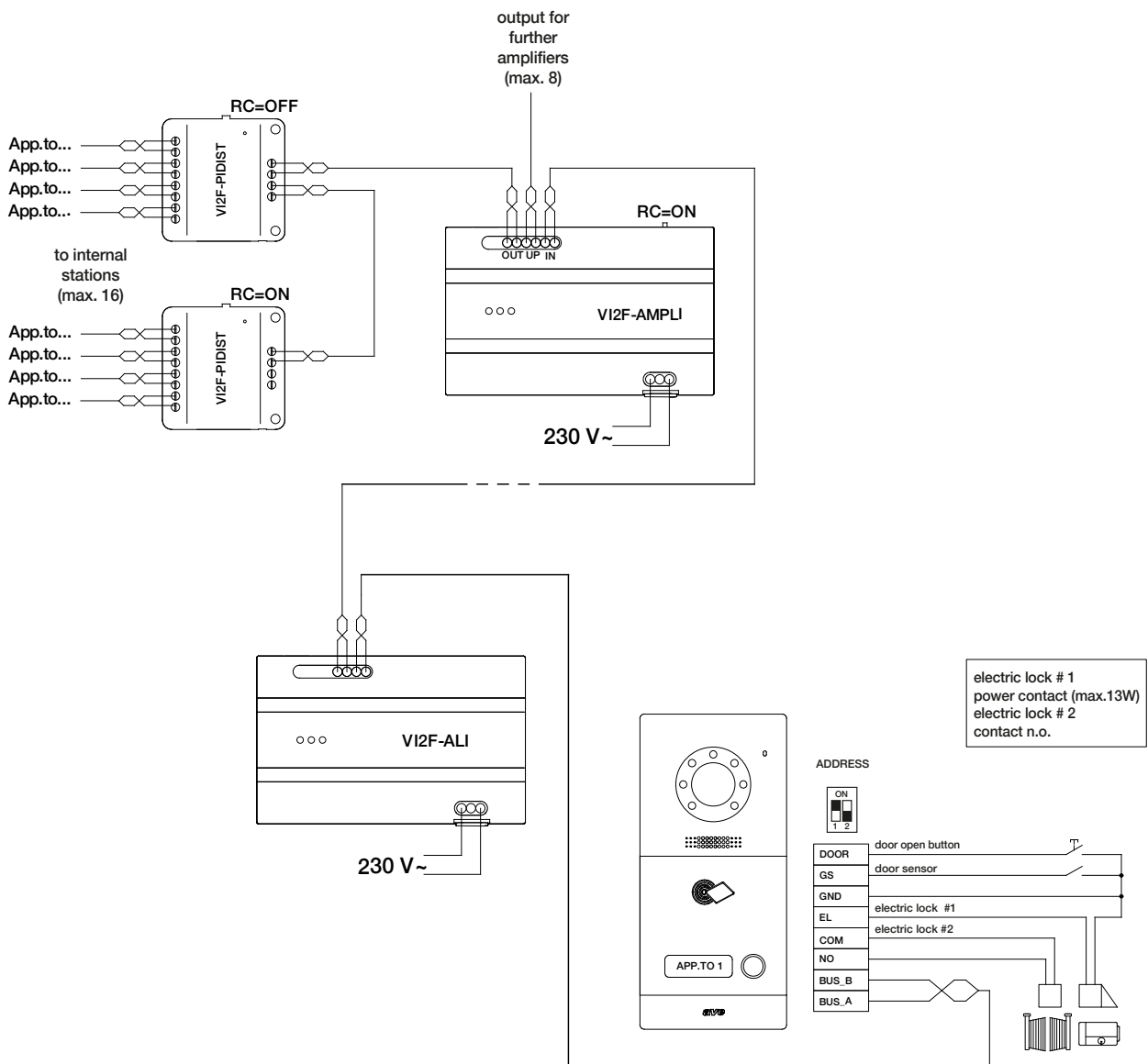
HOTEL MANAGEMENT

VIDEO INTERCOM

ANTI INTRUSION

WIRING DIAGRAMS AND PRESCRIPTIONS

### INSTALLATION EXAMPLE





# TECHNICAL CATALOGUE

## 2 WIRE V44 EASY VIDEO INTERCOM

### AUDIO-VIDEO OUTDOOR STATIONS - Cod. VI2F-PE1 - VI2F-PE2 - VI2F-PE4

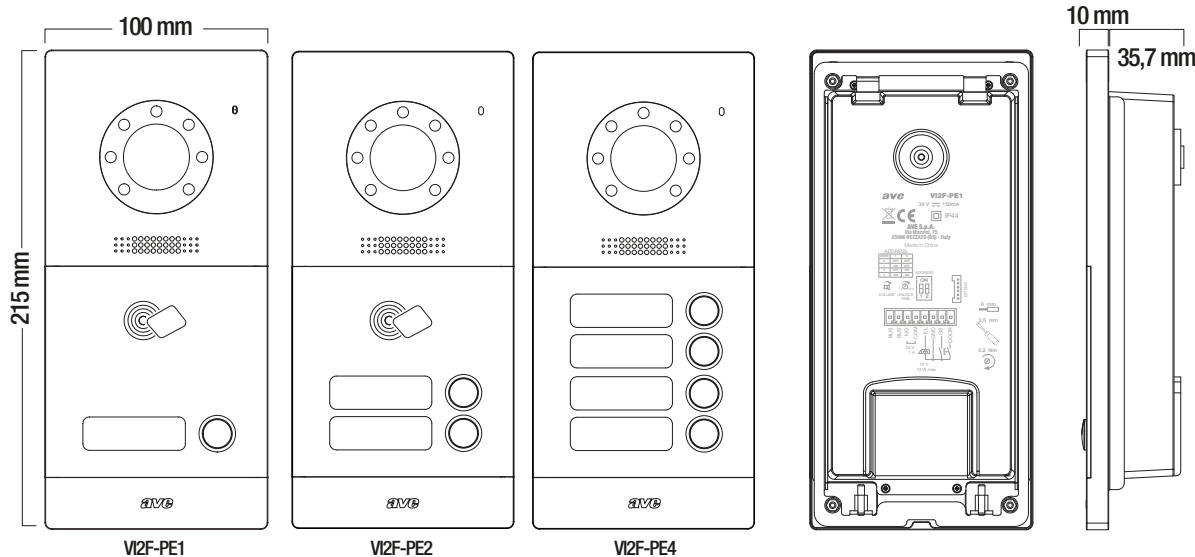
200

The VI2F-PE1, VI2F-PE2 and VI2F-PE4 devices are the audio/video Outdoor Stations of the AVE DOMINA system V44 EASY 2-wire video door entry system. It is a monobloc device suitable for flush installation using the box (art. VI-BOX3) and any rain cover (art. VI-RPBOX3), or for wall mounting by means of the appropriate box (art. VI-BOX4).

The main features of the devices are:

- VI2F-PE1: single-button one-call version. Integrated MIFARE® card reader;
- VI2F-PE2: two-button two-call version. Integrated MIFARE® card reader;
- VI2F-PE4: four-button four-call version\*;
- Name tags lighting with variable density white LEDs, depending on the brightness of the environment;
- "Power" entry point opening relay;
- Entry point opening relay with normally open contact;

\* Note: the MIFARE® card reader is not integrated in the four-call version - Up to three outdoor stations per system can be installed.



#### TECHNICAL CHARACTERISTICS

Operating voltage	24V <sub>DC</sub>	Maximum number of devices that can be installed	3
Maximum operating voltage	30V <sub>DC</sub>	Camera	CMOS with white light illuminator
Absorption during operation	150 mA max @ 30 V <sub>DC</sub>	Installation	Wall or flush installation
Absorption during stand-by	25 mA max @ 30 V <sub>DC</sub>	Name tags	removable from the front
Dimensions (L x H x D)	100 x 215 x 45.7 mm	Environmental class as per EN 62820-1-1	CLASS IV
Protrusion from the wall	10 mm	Door opening actuator #1	Max 12V 13W
Environmental class as per EN 62820-1-1	CLASS IV	Door opening actuator #2	N.O. monostable relay 1A/24V <sub>DC</sub>
Operating temperature	From -25 °C to +55 °C	Maximum number of cards that can be managed	200
Maximum altitude	2000 m a.s.l.	Maximum system length	200 m

#### CONNECTIONS

The meaning of the connection terminals and trimmers located at the rear of the device is illustrated here below. The arrangement of the connectors is shown in figure on the side

##### Connettore (6 poli) ①

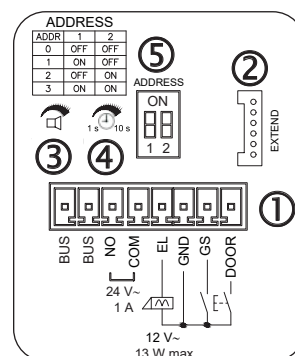
- Terminal 1: BUS
- Terminal 2: BUS
- Terminal 3: N.O. normally open contact for door opening
- Terminal 4: COM common contact for door opening
- Terminal 5: EL "high energy" output for door opening
- Terminal 6: GND shared by EL, GS and DOOR inputs
- Terminal 7: GS door open sensor input
- Terminal 8: DOOR N.O. button input for door opening

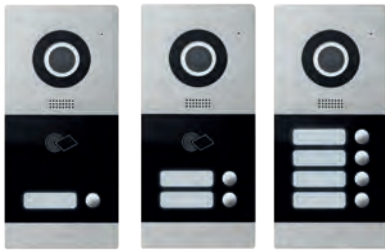
##### Serial port ②

Auxiliary tower connection (art. VI-PEAUX or VI-PEAUX4)

##### Trimmer and Dip switch

- ③ Loudspeaker volume adjustment
- ④ Unlocking relay time adjustment
- ⑤ Device addressing





VI2F-PE1    VI2F-PE2    VI2F-PE4

**VI2F-PE1**

Single-call audio/video outdoor station created as a monobloc for recessed or wall-mounted installation.

Integrated MIFARE® card reader, name tag lighting with white LEDs with variable intensity according to the ambient brightness, 1 “power” entry point opening relay with input for installation of an auxiliary button, no.1 entry point opening relay with normally open contact. “Door open” sensor input. It is possible to install a maximum number of 3 outdoor stations per system. Dimensions (LxHxD): 100x215x45,7 mm.

**VI2F-PE2**

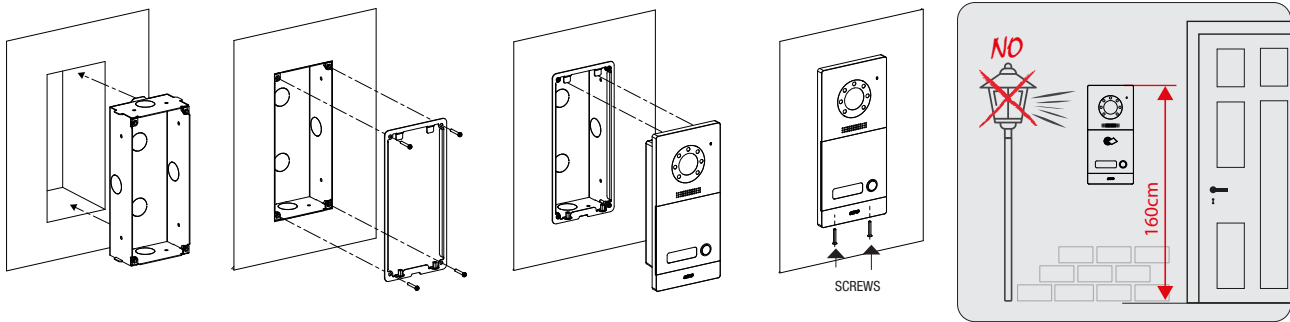
Two-call audio/video outdoor station. Technical characteristics common to the VI2F-PE1 outdoor station.

**VI2F-PE4**

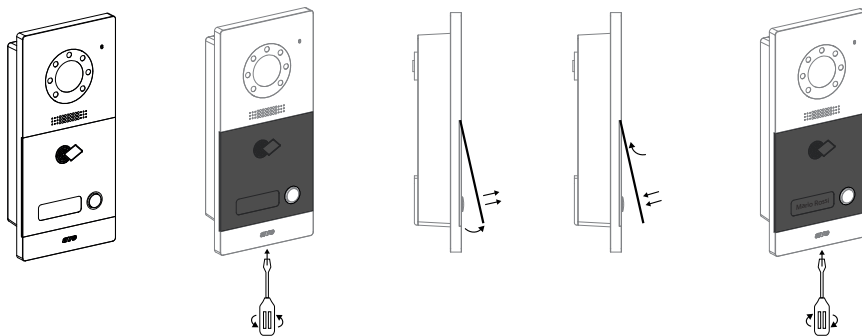
Four-call audio/video outdoor station. Technical characteristics common to the VI2F-PE1 outdoor station except for the absence of the MIFARE® card reader.



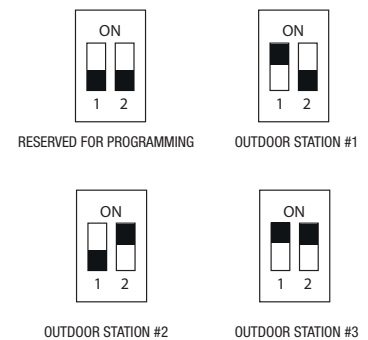
**INSTALLATION EXAMPLE**



**ACCESS TO NAME TAGS**



**DEVICE ADDRESSING**



**TECHNICAL INFORMATION**



**MIFARE® TRANSPONDER ACCESS CONTROL**

The outdoor stations of the DOMINA video intercom system use MIFARE® contactless technology, guaranteeing reliability also in the auxiliary function of access control. The system uses the unique code of the Cards without any need to write data inside them. This means that the same card can also be used with third party systems (not provided by AVE) offering customers a very wide range of services, accessed by the same card.



**WARNING:**

The gate managed by the Transponder Access Control is only the one with power contact.





# TECHNICAL CATALOGUE

## V44 EASY and V44 SMART VIDEO INTERCOM (COMMON ARTICLE)

### AUXILIARY OUTDOOR STATION - Cod. VI-PEAUX and VI-PEAUX4

The VI-PEAUX and VI-PEAUX4 devices is used to expand the number of call buttons of the outdoor station with a further 4 or 8 buttons. The device is common to the AVE DOMINA system V44 EASY 2-wire video door entry system and to the AVE DOMINA system V44 SMART IP video door entry system.

Possibility of adding up to 4 devices to increase the number of external calls to a maximum of 36.

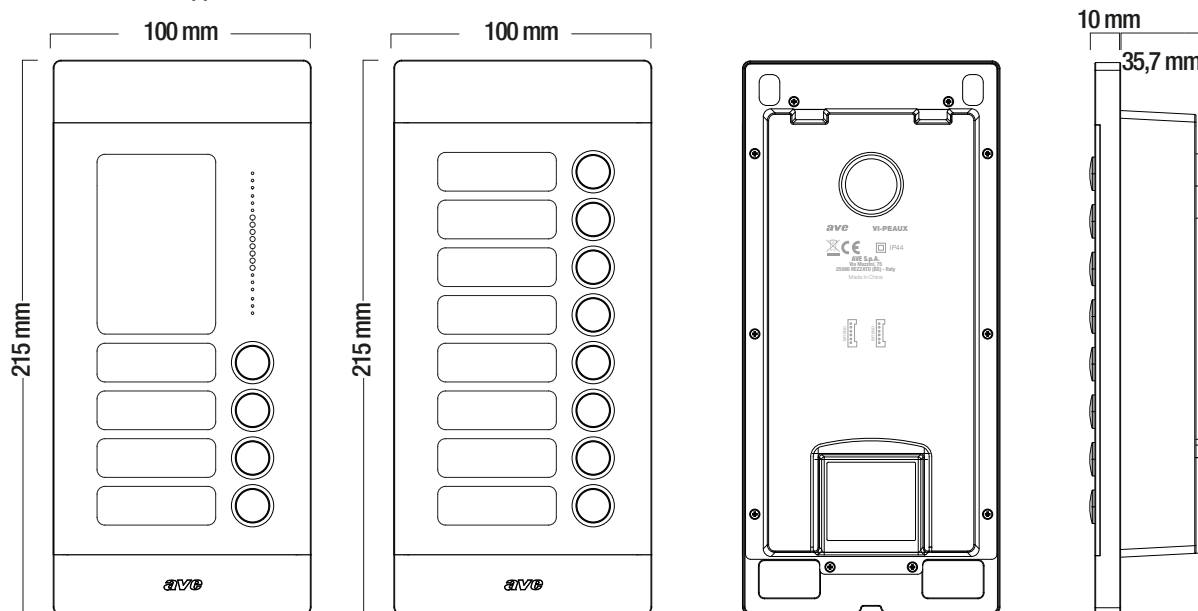
The devices are made in monobloc for recessed installation coupled to a "Master" station using the VI-BOX3 box and any rain shelter (item VI-RP2BOX3) or wall-mounted using the appropriate box (VI- 2BOX4).

The main features of the devices are:

- VI-PEAUX: version with 8 buttons;
- VI-PEAUX4: version with 4 buttons + customizable information space in the upper part;
- Name tag lighting with white LEDs;

*Note: the MIFARE® card reader is not integrated in the auxiliary external station*

*N.B.: the device cannot operate individually: correct operation requires the installation of a "MASTER" external station to which the device connects via the cable supplied.*



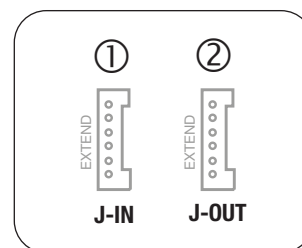
#### TECHNICAL CHARACTERISTICS

<b>Power supply</b>	5VDC da connettore flat	<b>Operating temperature</b>	From -25 °C to +55 °C
<b>Current consumption</b>	20 mA max @ 5 VDC	<b>Maximum altitude</b>	2000 m a.s.l.
<b>Dimensions (L x H x D)</b>	100 x 215 x 45.7 mm	<b>Installation</b>	Wall or flush installation
<b>Protrusion from the wall</b>	10 mm	<b>Protection rating</b>	IP20 (IP44 when installed)
<b>Environmental class as per EN 62820-1-1</b>	CLASS IV	<b>Name tags</b>	Removable from the front

#### Connections

The meaning of the device connection terminals is illustrated here below:

<b>Extend ①</b>	polarized connector for connection to the outdoor video intercom station or to a previous auxiliary station
<b>Extend ②</b>	polarized connector for connection to the next auxiliary station





**VI-PEAUX**      **VI-PEAUX4**

**VI-PEAUX**

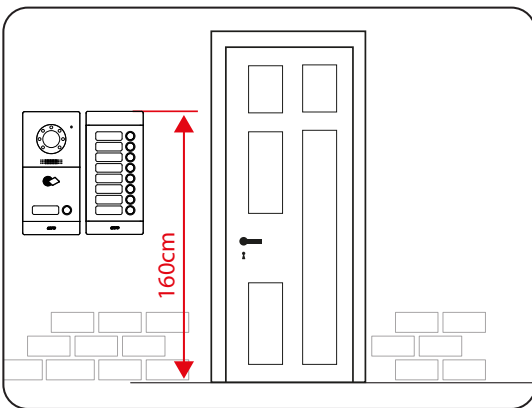
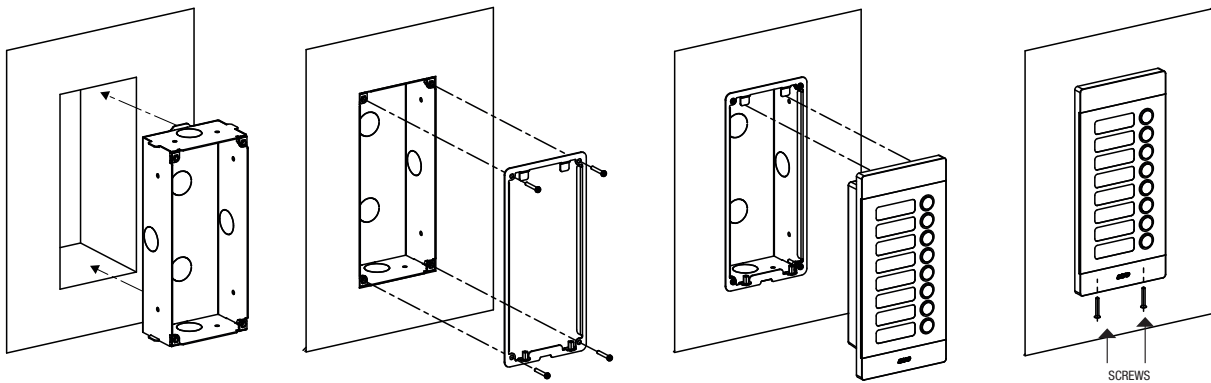
Auxiliary outdoor station with eight calls created as a monobloc for recessed or wall-mounted installation. The device is common to the ranges AVE V44 EASY (2-WIRE) and AVE V44 SMART (IP). Dimensions (LxHxD): 100x215x45,7 mm.

**VI-PEAUX4**

Auxiliary outdoor station with four calls created as a monobloc for recessed or wall-mounted installation. A customisable information space is available in the top part. The device is common to the ranges AVE V44 EASY (2-WIRE) and AVE V44 SMART (IP). Dimensions (LxHxD): 100x215x45,7 mm.

N.B.: the devices cannot operate on their own, it is necessary to install an external MASTER station to which the devices are connected by means of the cable supplied.

**INSTALLATION EXAMPLE**

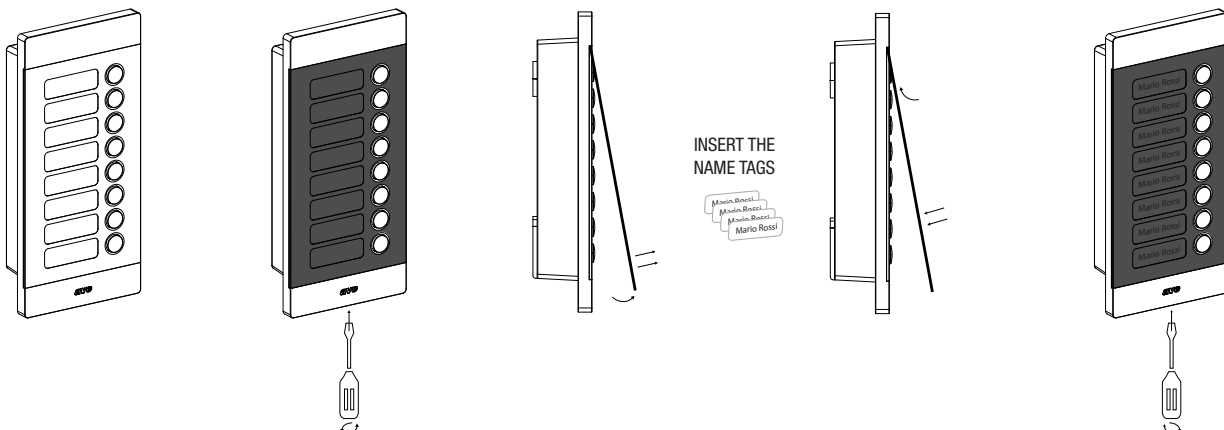


VI-PEAUX - VI-PEAUX4 can be installed outdoors following the assembly instructions. The suggested installation height of the product is: 1.6 m from the ground (upper side).

The device can be connected to the 1, 2, 4-button outdoor stations of the 2-wire (art. VI2F-PE1, VI2F-PE2, VI2F-PE4) and IP (art. VIIP-PE1, VIIP-PE2, VIIP-PE4) ranges through a connector located on the rear of the device. The connection cable between the two devices is supplied with the auxiliary push-button panel.

The VI-PEAUX and VI-PEAUX4 devices cannot operate in stand-alone mode (they must always be associated with one of the external stations indicated above).

**ACCESS TO NAME TAGS**





# TECHNICAL CATALOGUE

## 2 WIRE V44 EASY VIDEO INTERCOM

### VIDEO DOOR ENTRY STATION 7" TOUCH SCREEN DISPLAY - Cod. VI2F-PE7T

204

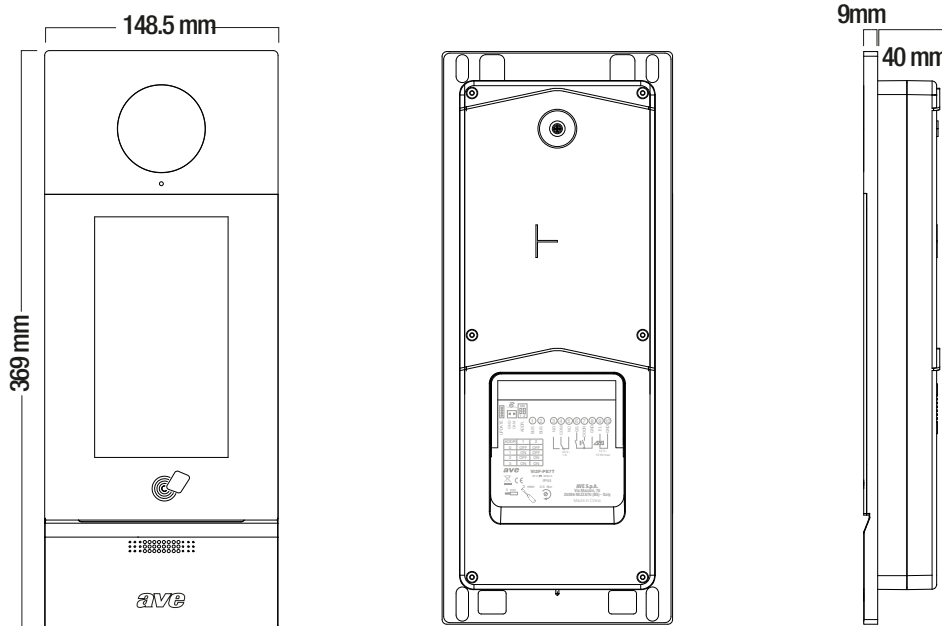
The VI2F-PE7T device is the audio/video Outdoor Station of the AVE DOMINA system V44 EASY 2-wire video door entry system, equipped with a 7" Touch Screen display.

It is made as a monobloc for recessed wall installation (art. VI-BOX5) and possible rain cover (art. VI-RPBOX5) or wall-mounted using the dedicated box (art. VI-BOX6).

The main features of the device are:

- Outdoor video door entry station with 7" Touch Screen display.
- Integrated MIFARE® card reader;
- Access opening relay with "powered" outlet;
- Access opening relay with changeover contact;

*Note: up to 3 outdoor stations per system can be installed*



#### TECHNICAL CHARACTERISTICS

Operating voltage	24V <sub>DC</sub>	max n. of devices that can be installed	3
Maximum operating voltage	30V <sub>DC</sub>	Camera	CMOS with white light illuminator
Absorption during operation	150 mA max @ 30 Vdc	Installation	Wall or flush installation
Absorption during stand-by	25 mA max @ 30 Vdc	Protection rating	IP20 (IP44 when installed)
Dimensions (L x H x D)	148.5 x 369 x 49 mm	Name tags	Removable from the front
Protrusion from the wall	10 mm	Door opening actuator #1	Max 12V 13W
Environmental class as per EN 62820-1-1	CLASS IV	Door opening actuator #2	Relè monostabile N.O. 1A/24Vcc
Operating temperature	From -25 °C to +55 °C	Max. n. of cards that can be managed	2000
Maximum altitude	2000 m a.s.l.	Maximum system length	200 m

#### CONNECTIONS

The meaning of the connection terminals and trimmer located at the rear of the device is illustrated here below. The arrangement of the connectors is shown in figure on the side.

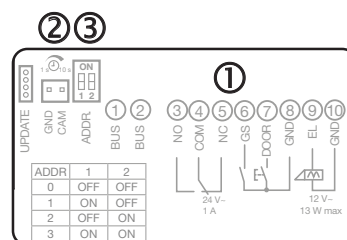
##### Connector (6 pole) ①

- Terminal 1: BUS
- Terminal 2: BUS
- Terminal 3: N.O. normally open contact for door opening
- Terminal 4: COM common contact for door opening
- Terminal 5: NC contact normal closed for door opening
- Terminal 6: GS door open sensor input
- Terminal 7: DOOR button input N.O. for door opening
- Terminal 8: GND reference for GS and DOOR
- Terminal 9: EL "high energy" output for door opening
- Terminal 10: GND reference for EL

##### Potentiometers and Dip switch

Unlocking relay time adjustment ②

Device addressing ③





VI2F-PE7T

**VI2F-PE7T**

Outdoor audio/video building station monobloc device suitable for flush mounted or for wall mounting installation. 7" touch screen display with the possibility of viewing a scrolling user list or a numeric keypad. No.1 "power" access opening relay with input for the installation of an auxiliary button, no.1 access opening relay with changeover contact. "Door open" sensor input. It is possible to install a maximum number of 3 outdoor stations per system. Dimensions (LxHxD): 148.5x369x49 mm.



HOME AUTOMATION

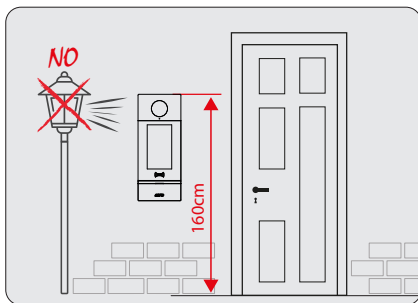
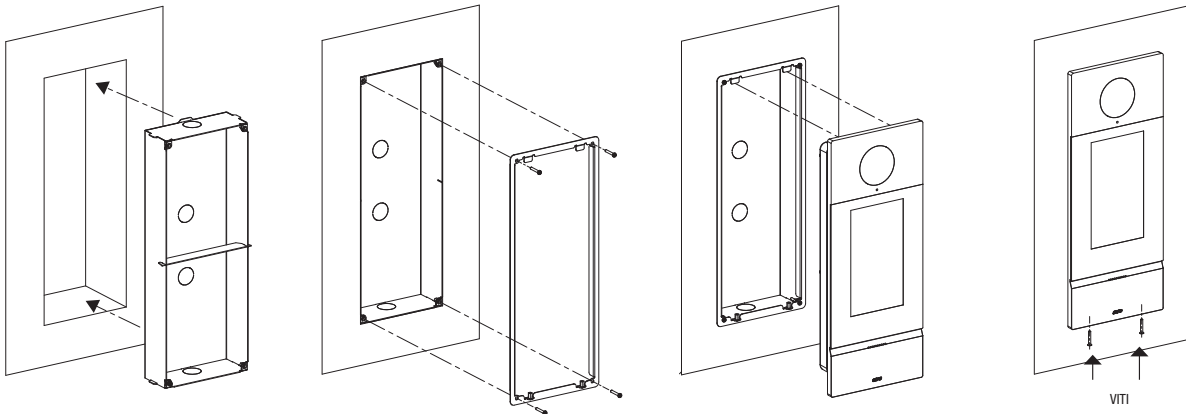
HOTEL MANAGEMENT

VIDEO INTERCOM

ANTI INTRUSION

WIRING DIAGRAMS AND PRESCRIPTIONS

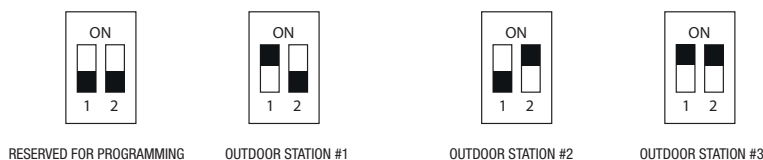
**INSTALLATION EXAMPLE**



Art. VI2F-PE7T can be installed outdoors following the assembly instructions. The suggested installation height of the product is: 1.6 m from the ground (upper side). Provide for the installation of the product so that the camera of the device is not blinded by direct light sources (street lamps, headlights or direct sunlight) which would cause it to malfunction.

*Note: in conditions of low ambient light, the devices are equipped with white LEDs for correct illumination of the subject positioned at a maximum distance of 1m.*

**DEVICE ADDRESSING**



**TECHNICAL INFORMATION**

**MIFARE® TRANSPONDER ACCESS CONTROL**

The outdoor stations of the DOMINA video intercom system use MIFARE® contactless technology, guaranteeing reliability also in the auxiliary function of access control. The system uses the unique code of the Cards without any need to write data inside them. This means that the same card can also be used with third party systems (not provided by AVE) offering customers a very wide range of services, accessed by the same card.



**WARNING:**  
The gate managed by the Transponder Access Control is only the one with power contact.

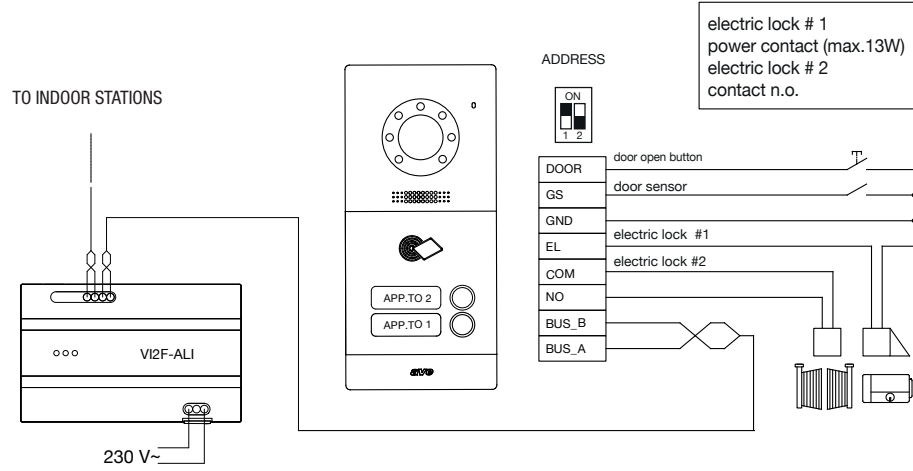


# TECHNICAL CATALOGUE

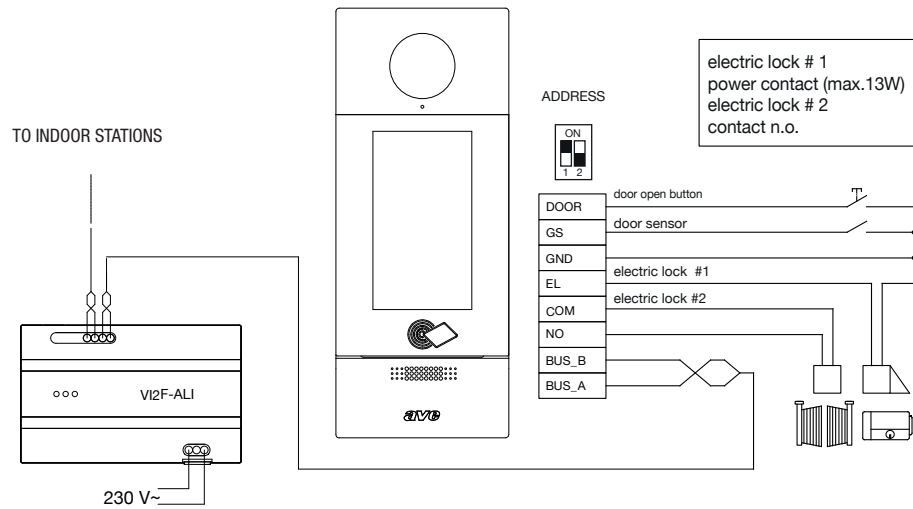
## 2 WIRE V44 EASY VIDEO INTERCOM

### OUTDOOR STATIONS INSTALLATION EXAMPLE

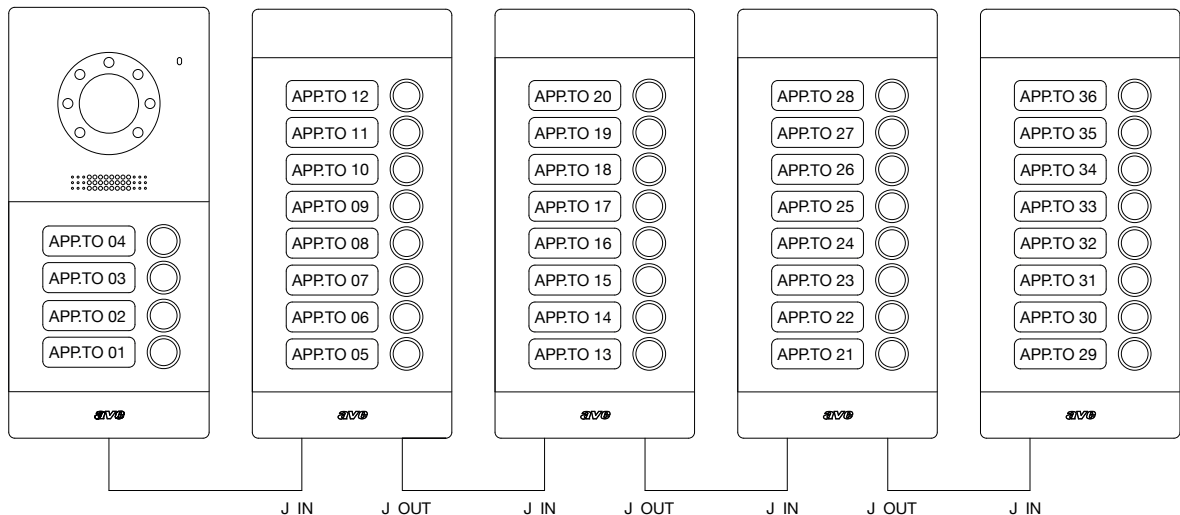
#### "Villa" model



#### "Building" model



#### Auxiliary outdoor station





## BOXES AND INSTALLATION ACCESSORIES



VI-BOX3



VI-BOX3C



VI-RPBOX3



VI-RP2BOX3



VI-RP3BOX3



VI-BOX4



VI-2BOX4



VI-BOX5



VI-BOX5C



VI-RPBOX5



VI-BOX6

### VI-BOX3

Flush-mounted metal box for outdoor stations VI2F-PE1, VI2F-PE2, VI2F-PE4, VIIP-PE1, VIIP-PE2, VIIP-PE4, VI-PEAUX and VI-PEAUX4. Dimensions (LxHxD): 118x216x53 mm.

### VI-BOX3C

Support frame for the installation of the VI2F-PE1, VI2F-PE2, VI2F-PE4, VIIP-PE1, VIIP-PE2, VIIP-PE4, VI-PEAUX and VI-PEAUX4 outdoor stations column on the VI-BOX3 recessed metal box. Dimensions (LxHxD): 96x208x16 mm.

### VI-RPBOX3

Rain cover equipped with support frame for the side-by-side installation of an outdoor station VI2F-PE1, VI2F-PE2, VI2F-PE4, VIIP-PE1, VIIP-PE2, VIIP-PE4 flush-mounted metal boxes VI-BOX3. Dimensions (LxHxD): 207x218x26 mm.

### VI-RP2BOX3

Rain cover equipped with support frame for the side-by-side installation of an outdoor station VI2F-PE1, VI2F-PE2, VI2F-PE4, VIIP-PE1, VIIP-PE2, VIIP-PE4 with the auxiliary column VI-PEAUX on no.2 flush-mounted metal boxes VI-BOX3. Dimensions (LxHxD): 207x218x26 mm.

### VI-RP3BOX3

Rain cover equipped with support frame for the side-by-side installation of an outdoor station VI2F-PE1, VI2F-PE2, VI2F-PE4, VIIP-PE1, VIIP-PE2, VIIP-PE4 with 2 auxiliary columns VI-PEAUX and VI-PEAUX4 on no.3 flush-mounted metal boxes VI-BOX3. Dimensions (LxHxD): 308x218x26 mm.

### VI-BOX4

Wall-mounted metal box with rain cover and frame for VI2F-PE1, VI2F-PE2, VI2F-PE4, VIIP-PE1, VIIP-PE2, VIIP-PE4, VI-PEAUX and VI-PEAUX4 outdoor stations. Dimensions (LxHxD): 106x218x70 mm.

### VI-2BOX4

Metal box for the side-by-side installation of an outdoor station VI2F-PE1, VI2F-PE2, VI2F-PE4, VIIP-PE1, VIIP-PE2, VIIP-PE4 and the auxiliary column VI-PEAUX with rain cover and frame. Dimensions (LxHxD): 207x218x70 mm.

### VI-BOX5

Flush-mounting metal box for the VI2F-PE7T and VIIP-PE7T outdoor stations. Dimensions (LxHxD): 141x364x53 mm

### VI-BOX5C

Frame for installation of the VI2F-PE7T and VIIP-PE7T outdoor stations on the VI-BOX5 flush-mounted metal box. Dimensions (LxHxD): 143x360x19 mm

### VI-RPBOX5

Rain cover equipped with support frame for the outdoor stations VI2F-PE7T and VIIP-PE7T installed on the VI-BOX5 flush-mounted metal box. Dimensions (LxHxD): 155x372x26 mm

### VI-BOX6

Wall-mounted metal box with rain cover and frame for the VI2F-PE7T and VIIP-PE7T outdoor stations. Dimensions (LxHxD): 155x372x79 mm

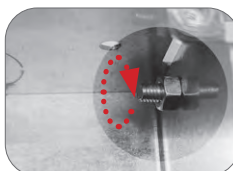
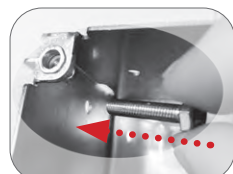
Note: for further accessories see the summary table at the end of the chapter

### Installation example with horizontally coupled boxes

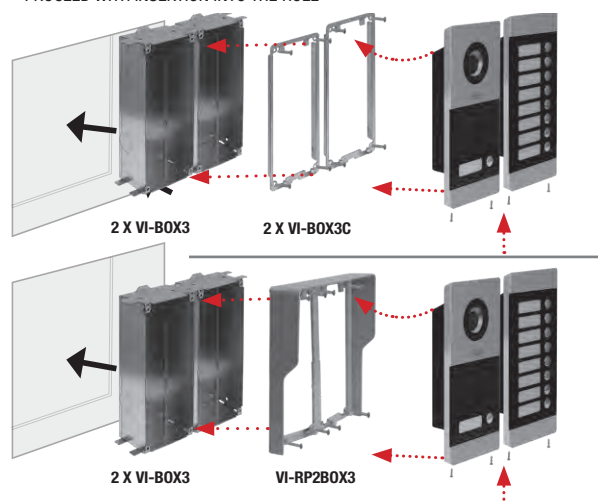
COUPLE THE TWO BOXES BY FITTING THE TWO EXTERNAL SLOTS



FIX THE WALLS USING THE SUPPLIED SCREW AND NUTS



PROCEED WITH INSERTION INTO THE HOLE





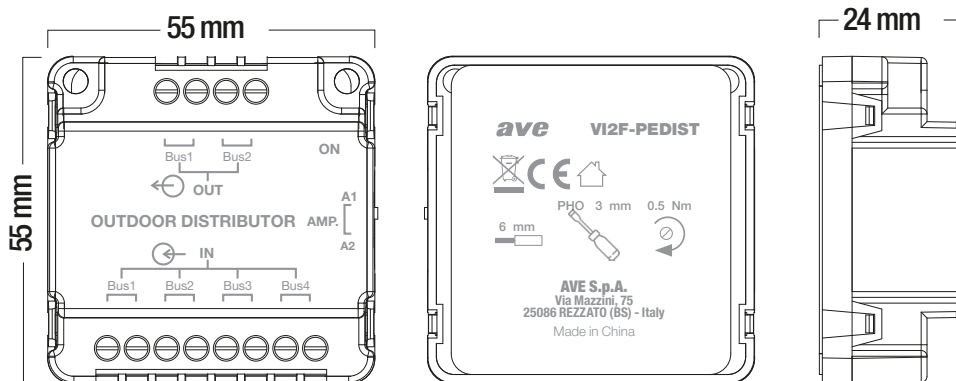
# TECHNICAL CATALOGUE

## 2 WIRE V44 EASY VIDEO INTERCOM

### SIGNAL DISTRIBUTOR FOR OUTDOOR STATIONS - Cod. VI2F-PEDIST

208

The VI2F-PEDIST device is part of the AVE DOMINA 2-wire Video-intercom system V44 EASY and distributes the signal to several outdoor stations. The device allows the connection of max to three outdoor stations.



#### INSTALLATION, POSITIONING AND FIXING

Art. VI2F-PEDIST must be installed within the indicated temperature limits and following the instructions in this document. The device can be fixed as follows:

1. Wall-mounting: drill two holes on the wall that match the holes on the module
2. At the back of the device

#### INPUT CONNECTION

The Bus1, Bus2, Bus3, Bus4 inputs must be connected to the outdoor stations installed in the system or the interfaces for VI2F-CAM analogue cameras - up to 3.

#### OUTPUT CONNECTION

The 2-wire bus must be connected to one of the two Bus1 or Bus2 output pairs. The other output can be used to connect additional devices to the 2-wire bus.

#### LEDS ON BOARD THE DEVICE

The device is fitted with No. 1 LED:

- L1: green (ON when the system is powered)

#### AMPLIFIER GAIN SELECTION

The RC multi-way switch allows changing the gain of the internal amplifier as follows:

- A1 = gain 1X (off)
- A2 = 1.2X gain

#### TECHNICAL CHARACTERISTICS

Rated voltage	24 V <sub>DC</sub>	Weight	36 g
Maximum operating voltage	30 V <sub>DC</sub>	Environmental class as per EN 62820-1-1	CLASS III
Absorption during operation	12 mA max @ 30 V <sub>DC</sub>	Operating temperature	From -10 °C to +55 °C
Absorption during stand-by	9 mA max @ 30 V <sub>DC</sub>	Maximum altitude	2000 m a.s.l.
Dimensions (L x H x D)	55 x 55 x 24 mm	Protection rating	IP20



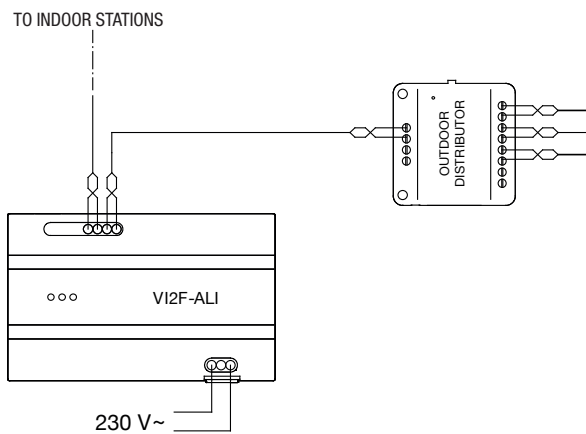
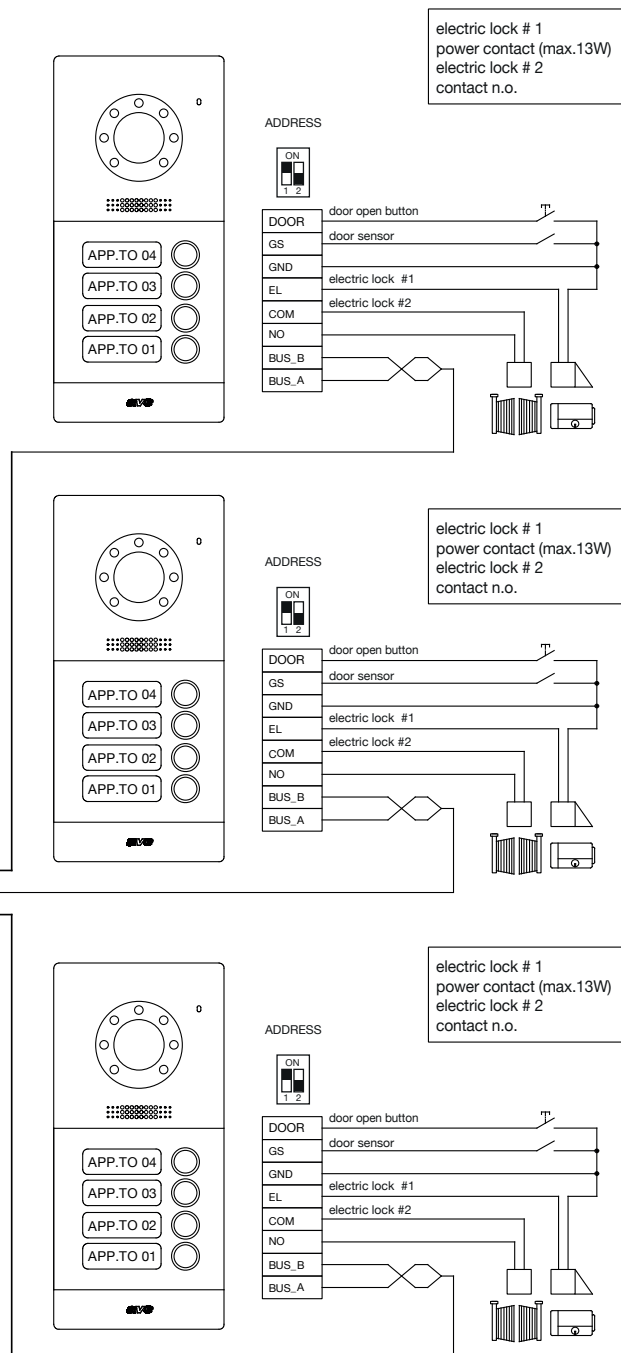
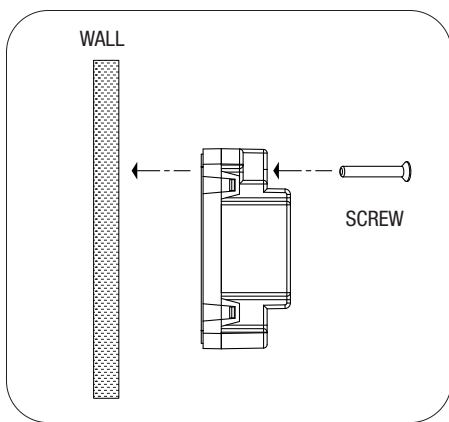
2fli  
2wire

**VI2F-PEDIST**

Signal distributor for multiple outdoor stations. The device allows the connection of up to 3 outdoor stations. The device can be installed on the wall or on the bottom of the box. Dimensions (LxHxD): 55x55x24 mm.

**VI2F-PEDIST**

**INSTALLATION EXAMPLE**





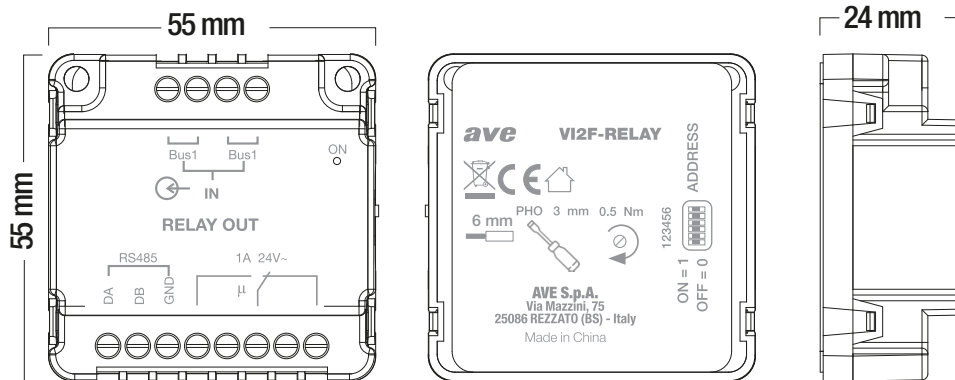
# TECHNICAL CATALOGUE

## 2 WIRE V44 EASY VIDEO INTERCOM

### AUXILIARY RELAY - Cod. VI2F-RELAY

210

The VI2F-RELAY device is part of the AVE DOMINA 2-wire Video-intercom system V44 EASY and is a relay actuator module, which must be used in combination with an outdoor station. If the addresses of this module and of the outdoor station are the same, the indoor monitor can unlock the relay contact while monitoring, calling and communicating with the outdoor station.



#### INSTALLATION, POSITIONING AND FIXING

Art. VI2F-RELAY must be installed within the indicated temperature limits and following the instructions in this document. The device can be fixed as follows:

1. Wall-mounting: drill two holes on the wall that match the holes on the module
2. At the back of the device

#### DEVICE ADDRESSING ①

On the back of the enclosure there is a 6-position dip-switch box to set the address of the module from 1 to 63, (binary code).

#### BUS CONNECTION

The 2-wire bus can connect to either of the two Bus1 ports.

#### LEDS ON BOARD THE DEVICE

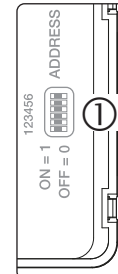
Green LED ON when the system is powered - Flashing green LED with signal in transit on the bus

#### OUTPUT CONNECTION

NO normally open contact - COM common contact - NC normally closed contact

#### ON-BOARD ACTUATOR

Monostable relay with one 1A / 24VDC potential-free change-over contact.



#### TECHNICAL CHARACTERISTICS

Rated voltage	24 V <sub>DC</sub>	Environmental class as per EN 62820-1-1	CLASS III
Maximum operating voltage	30 V <sub>DC</sub>	Operating temperature	From -10 °C to +55 °C
Absorption during operation	31 mA max @ 30 V <sub>DC</sub>	Maximum altitude	2000 m a.s.l.
Maximum operating current absorption	8 mA max @ 30 V <sub>DC</sub>	Protection rating	IP20
Dimensions (L x H x D)	55 x 55 x 24 mm	Maximum Ohmic load on the contact	1 A
Weight	39 g	Maximum inductive load on the contact	1 A



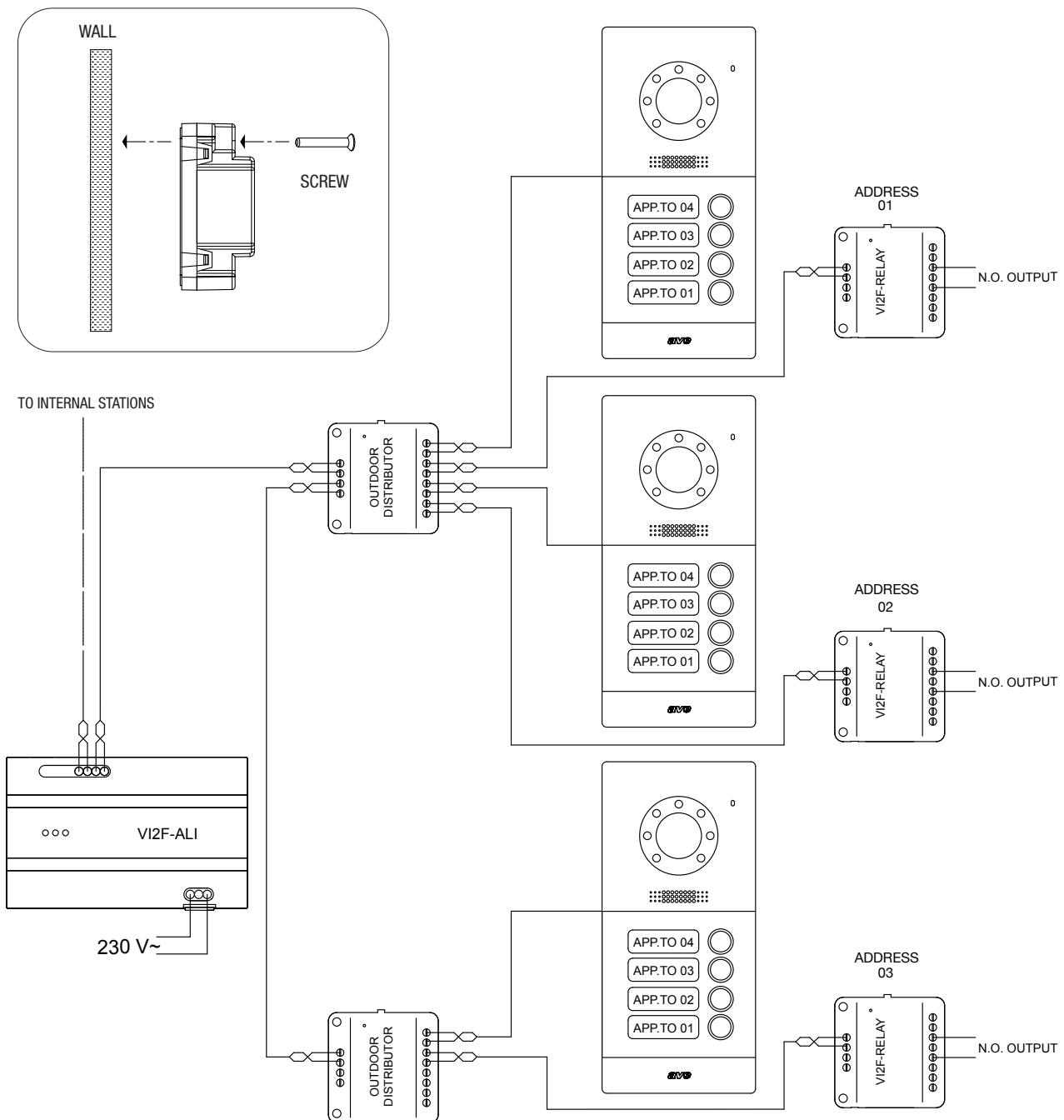
2fil  
2wire

**VI2F-RELAY**

Relay actuator module. It must be used associated with an outdoor station set with the same address. The indoor monitor can unlock the relay contact while monitoring, calling and talking to the door station. The device can be installed on the wall or on the bottom of the box. Dimensions (LxHxD): 55x55x24 mm.

**VI2F-RELAY**

**INSTALLATION EXAMPLE**







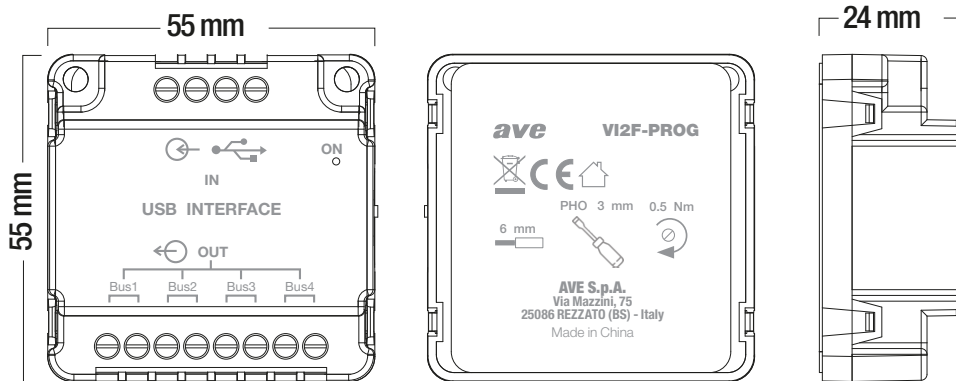
# TECHNICAL CATALOGUE

## 2 WIRE V44 EASY VIDEO INTERCOM

### PROGRAMMING INTERFACE - Cod. VI2F-PROG

212

The VI2F-PROG device is part of the AVE DOMINA 2-wire Video-intercom system V44 EASY and is the module that allows interfacing a PC with the VI2F-PE7T outdoor station.



#### INSTALLATION, POSITIONING AND FIXING

Art. VI2F-PROG must be installed within the indicated temperature limits and following the instructions in this document. The device can be fixed as follows:

1. Wall-mounting: drill two holes on the wall that match the holes on the module
2. At the back of the device

#### INPUT CONNECTION

USB 2.0 Micro-B female connector

#### OUTPUT CONNECTION

Any of the Bus1, 2, 3, and 4 outputs can be connected to the 2-wire Bus

#### TECHNICAL CHARACTERISTICS

Rated voltage	24V <sub>DC</sub>	Weight	27 g
Maximum operating voltage	30V <sub>DC</sub>	Environmental class as per EN 62820-1-1	CLASS III
Absorption during operation	4 mA max @ 30 V <sub>DC</sub>	Operating temperature	From -10 °C to +55 °C
Absorption during stand-by	3 mA max @ 30 V <sub>DC</sub>	Maximum altitude	2000 m a.s.l.
Dimensions (L x H x D)	55 x 55 x 24 mm	Protection rating	IP20



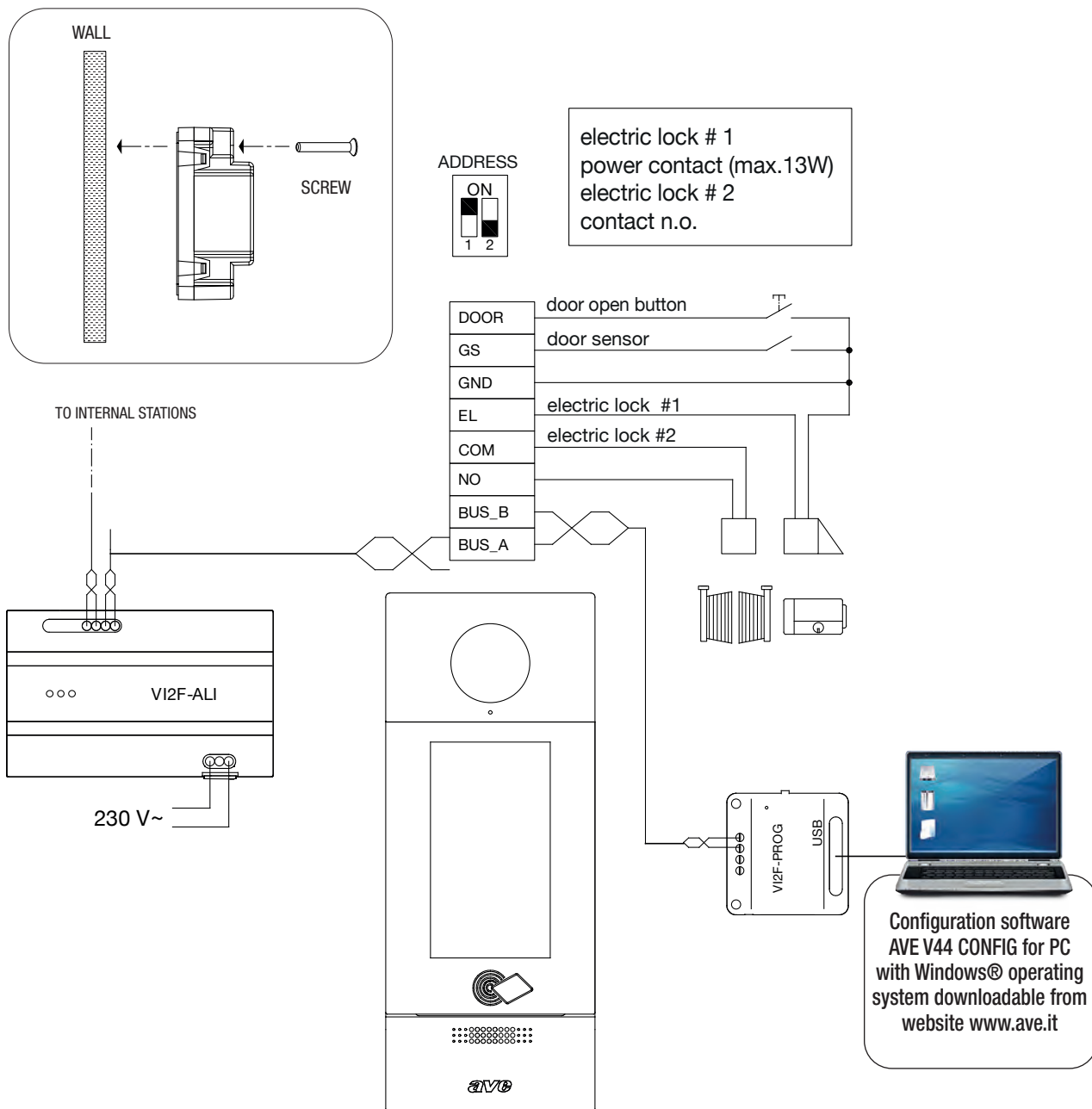
2fil  
2wire

### VI2F-PROG

Module for interfacing a PC with Windows® operating system with the external stations of the 2-wire system. Allows the import/export from the devices of the files for managing the numbering of the buttons of the external stations mod. "Villa" and the list of names of the outdoor station mod. "Building" (can also be edited directly from the device's LCD). The device can be installed on the wall or on the bottom of the box. 2WIRE technology. Dimensions (LxHxD): 55x55x24 mm.

### VI2F-PROG

### INSTALLATION EXAMPLE





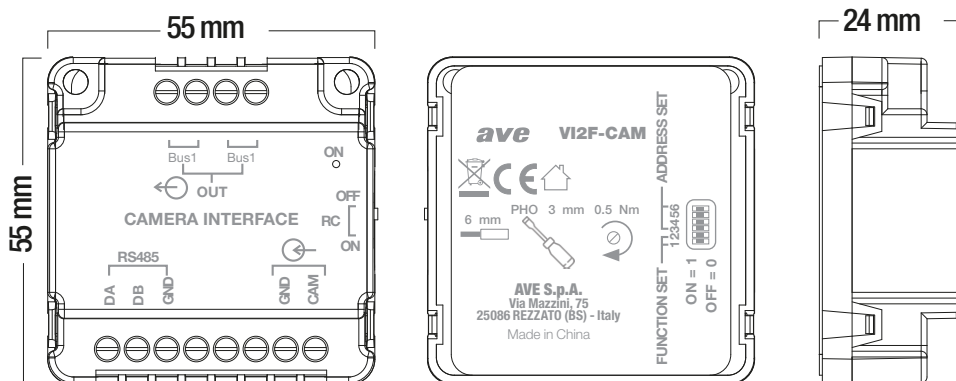
# TECHNICAL CATALOGUE

## 2 WIRE V44 EASY VIDEO INTERCOM

### ANALOGUE CAMERA INTERFACE - Cod. VI2F-CAM

214

The VI2F-CAM device is part of the AVE DOMINA 2-wire Video-intercom system V44 EASY and is an analogue camera interfacing module, which can be configured in Independent Outdoor Station mode or Outdoor Station Extension mode.



#### INSTALLATION, POSITIONING AND FIXING

Art. VI2F-CAM must be installed within the indicated temperature limits and following the instructions in this document. The device can be fixed as follows:

1. Wall-mounting: Drill two holes in the wall that match the two holes on the module
2. At the back of the device

#### BUS CONNECTION

The 2-wire bus can connect to either of the two Bus1 ports.

#### CONNECTING THE ANALOGUE CAMERA

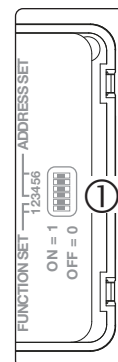
- DA, DB, GND RS485 interface (reserved)
- CAM, GND Camera analogue signal

#### IMPEDANCE MATCHING

The RC multi-way switch must be set to ON when the device is connected to the end of the Bus line, without any other devices connected on the second pair of input terminals.

#### OPERATING MODE ①

A 6-position dip switch is accessible on the rear of the enclosure.



#### EXTENSION OF THE OUTDOOR STATION

The device allows the display of an analogue video camera as an extension of the outdoor video intercom station. When a call is received, from the outdoor video intercom station it will be possible to switch from the display of images from the outdoor station to those coming from the "extension" camera (Fig.2) by means of special buttons on the LCD screen.

#### INDEPENDENT OUTDOOR CAMERA

The device works regardless of the Outdoor Stations installed. It is possible to install up to three Outdoor Stations and No.12 VI2F-CAM for each system (Fig.3)

#### TECHNICAL CHARACTERISTICS

Rated voltage	24V <sub>DC</sub>	Weight	36 g
Maximum operating voltage	30V <sub>DC</sub>	Environmental class as per EN 62820-1-1	CLASS III
Absorption during operation	23 mA max @ 30 V <sub>DC</sub>	Operating temperature	From -10 °C to +55 °C
Maximum operating current absorption	9 mA max @ 30 V <sub>DC</sub>	Maximum altitude	2000 m a.s.l.
Dimensions (L x H x D)	55 x 55 x 24 mm	Protection rating	IP20



2fil  
2wire

**VI2F-CAM**

Module for interfacing of an analog camera. The device can be installed on the wall or on the bottom of the box.

Dimensions (LxHxD): 55x55x24 mm.

**VI2F-CAM**

**INSTALLATION EXAMPLE**

Fig. 1

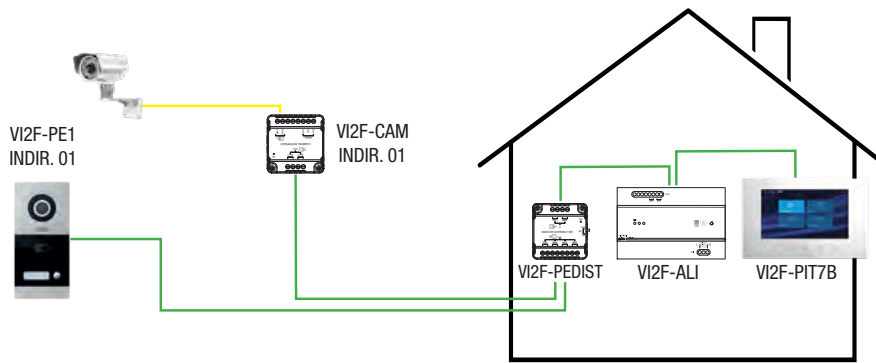


Fig. 2

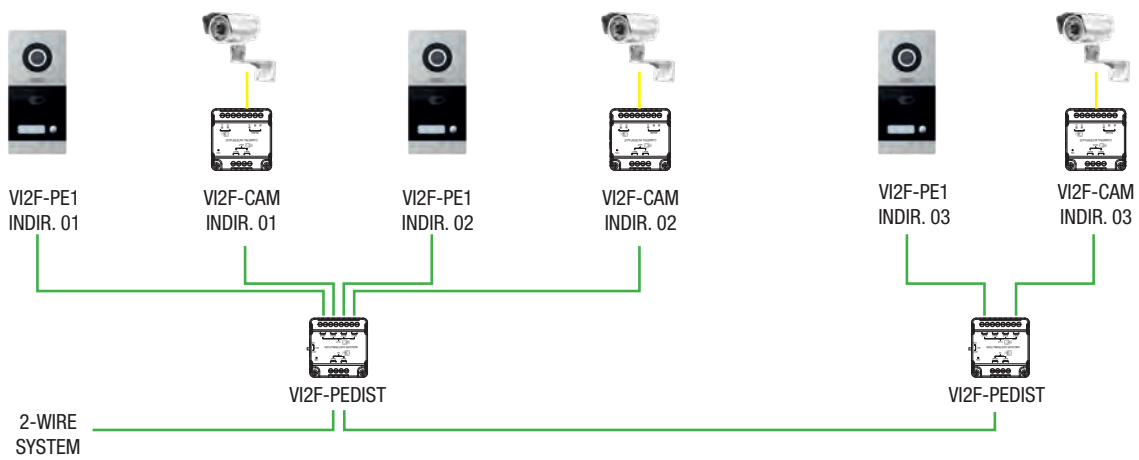
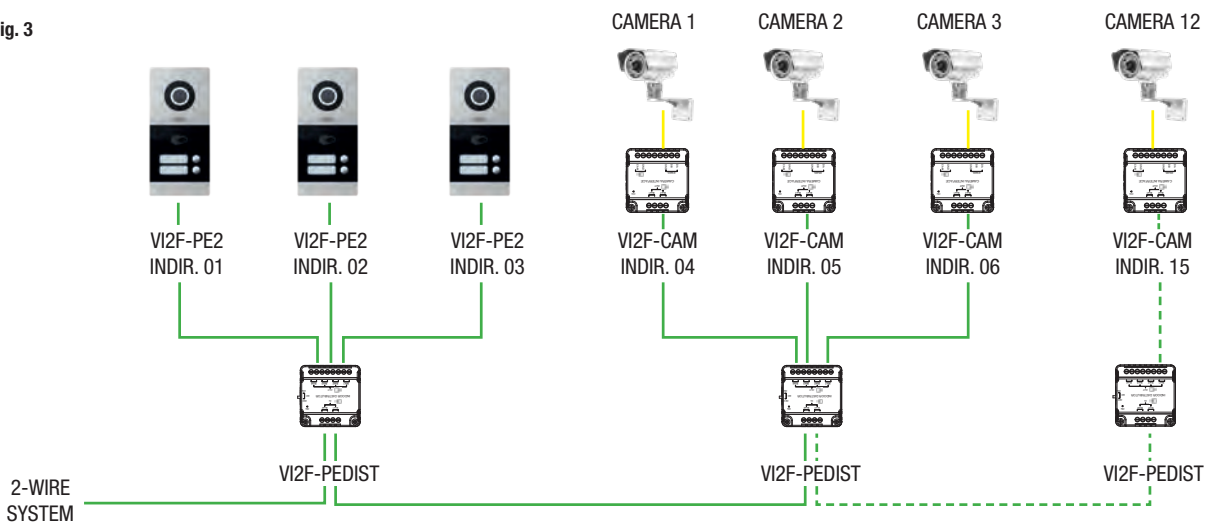


Fig. 3



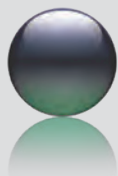
HOME AUTOMATION

HOTEL MANAGEMENT

VIDEO INTERCOM

ANTI INTRUSION

WIRING DIAGRAMS AND PRESCRIPTIONS



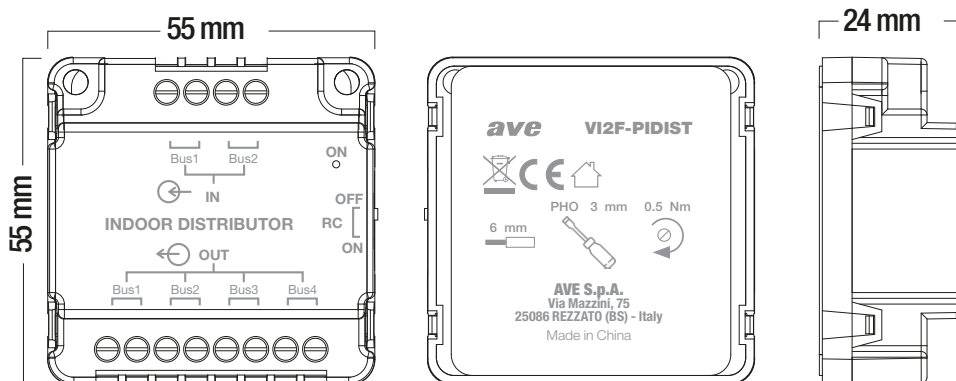
# TECHNICAL CATALOGUE

## 2 WIRE V44 EASY VIDEO INTERCOM

### DISTRIBUTOR FOR INDOOR STATIONS - Cod. VI2F-PIDIST

216

The VI2F-PIDIST is part of the AVE DOMINA 2-wire Video-intercom system V44 EASY and distributes the signal to several indoor stations. The device makes it possible to install indoor stations in several apartments. Each device can manage four separate lines: up to four indoor stations can be installed on each line.



#### Installation, positioning and fixing

The art. VI2F-PIDIST must be installed within the indicated temperature limits and following the instructions given in this document. The device can be fixed:

1. Wall mounted: Drill two holes in the wall in correspondence with the two holes on the module.
2. Box bottom

The installation of max 1 relay is allowed for each outdoor station.

#### Input connection

The 2-wire bus must be connected to one of the two bus inputs; the other input can be used to connect the device to the next vending machine input for further extension

#### Output connection

The Bus1, Bus2, Bus3, Bus4 outputs can be connected to 4 internal stations managed separately (e.g. 4 separate apartments)

#### Led on board the device

The device mounts 1 LED:

- L1: green color (ON with power present)

#### Impedance matching

The RC switch must be set to the ON position when the vending machine is the last device connected to the Bus line.

- ON Indicates impedance matching engaged
- OFF Indicates impedance matching not engaged

#### TECHNICAL CHARACTERISTICS

Rated voltage	24 V <sub>DC</sub>	Weight	36 g
Maximum operating voltage	30 V <sub>DC</sub>	Environmental class as per EN 62820-1-1	CLASS III
Absorption during operation	8 mA max @ 30 V <sub>DC</sub>	Operating temperature	From -10 °C to +55 °C
Absorption during stand-by	6 mA max @ 30 V <sub>DC</sub>	Maximum altitude	2000 m a.s.l.
Maximum number of devices that can be installed	32	Protection rating	IP20
Dimensions (L x H x D)	55 x 55 x 24 mm		





2fil  
2wire

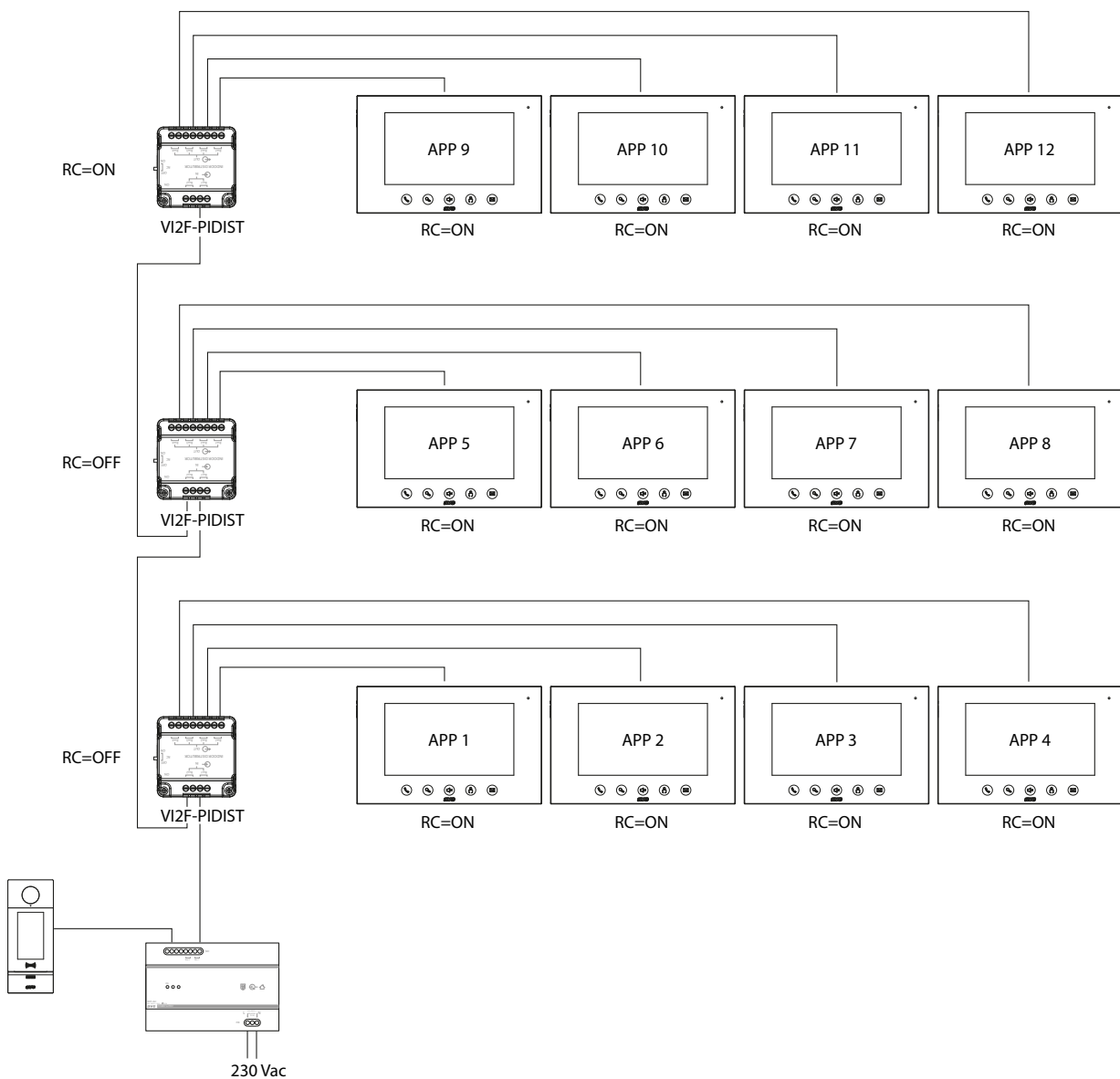
**VI2F-PIDIST**

Signal distributor for multiple indoor stations. The device makes it possible to install indoor stations in several apartments. Each device can manage four separate lines: up to four indoor stations can be installed on each line. The device can be installed on the wall or on the bottom of the box.

Dimensions (LxHxD): 55x55x24 mm.

**VI2F-PIDIST**

**INSTALLATION EXAMPLE**





# TECHNICAL CATALOGUE

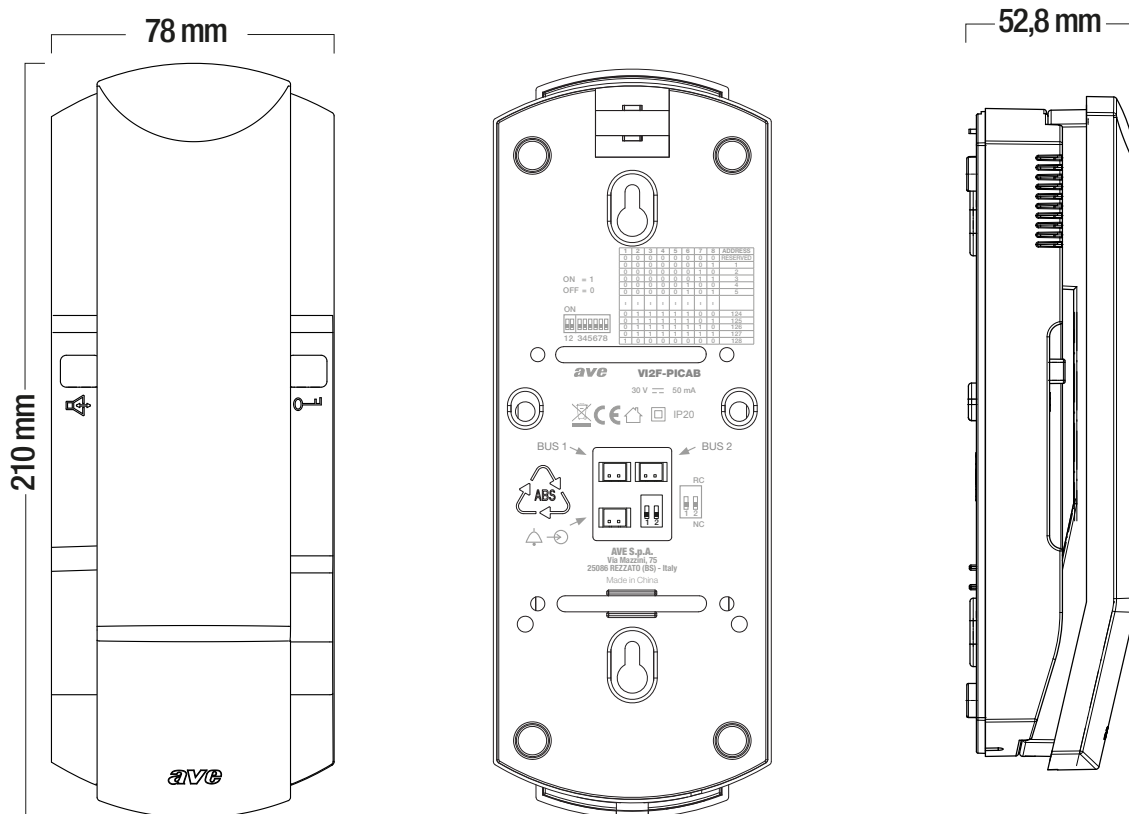
## 2 WIRE V44 EASY VIDEO INTERCOM

### INTERCOM HANDSET - Cod. VI2F-PICAB

218

The VI2F-PICAB device is an audio indoor station of the AVE DOMINA system V44 EASY 2-wire video door entry system, whose functions and characteristics are:

- 2-wire BUS power supply
- Call answering;
- Management of outside door auxiliary bell
- Management of no.3 entry points, two on board the outdoor station and one optional on the VI2F-RELAY auxiliary relay (not supplied);



#### TECHNICAL CHARACTERISTICS

Operating voltage	30V <sub>dc</sub>	Operating temperature	From -10 °C to +55 °C
Maximum operating voltage	32V <sub>dc</sub>	Maximum altitude	2000 m a.s.l.
Absorption during operation	11 mA max @ 30 Vcc	Weight	230 g
Absorption during stand-by	5 mA max @ 30 Vcc	Installation	Wall mounted vertical
Dimensions (L x H x D)	78 x 210 x 52.8 mm	Protection rating	IP20 (IP30D when installed)
Environmental class as per EN 62820-1-1	CLASS III	Maximum number of devices (handsets + monitors) per apartment	4

#### CONNECTIONS

The meaning of the connection plugs and dip-switches located at the rear of the device (fig. A) is illustrated here below:

##### 2-Wire bus BUS1 ①

2-pole polarised male connector

- Female connector complete with 10 cm cables provided with the supply
- Terminal 1: BUS 1
- Terminal 2: BUS 1

##### Input for the outside door bell button ③

2-pole polarised male connector

- Female connector complete with 10 cm cables provided with the supply
- Terminal 1: GND
- Terminal 2: door bell input

*Note: Use a potential-free contact (N.O.)*

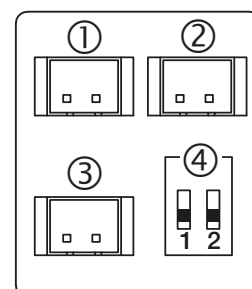
##### 2-Wire bus BUS2 ②

2-pole polarised male connector

- Female connector complete with 10 cm cables provided with the supply
- Terminal 1: BUS 2
- Terminal 2: BUS 2

##### 2-pole dip-switch ④

- Dip 1: leave in the OFF position
- Dip 2: Impedance adjustment: move to the ON position when the station is the last in a series; otherwise leave in the OFF position. It must be set to ON even if the station is connected to the internal distributor VI2F-PIDIST.





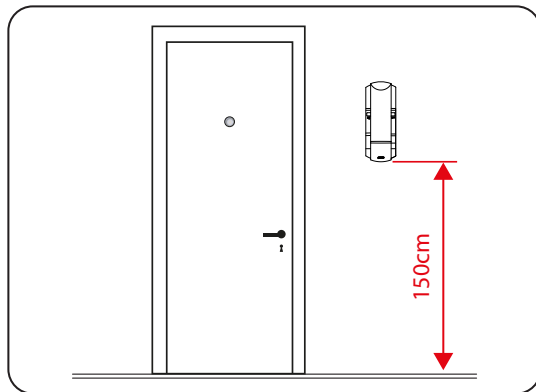
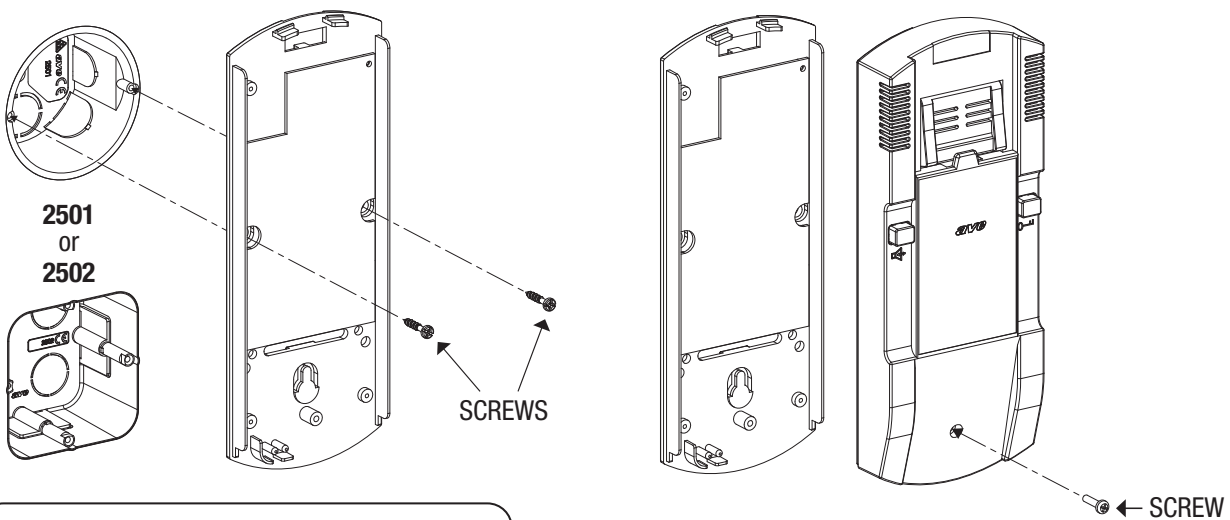
2fil  
2wire

**VI2F-PICAB**

Intercom handset for wall installation on round or square version boxes. It is equipped with no.2 keys to control the main functions: release of the "power" electric lock and normally open contact closure. It is used to adjust the volume and the type of ringtone. Dimensions (LxHxD): 78x210x52.8 mm.

**VI2F-PICAB**

**INSTALLATION EXAMPLE**



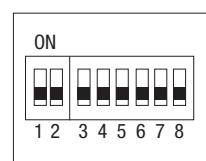
Art. VI2F-PICAB must be installed in closed rooms, within the indicated temperature limits and following the assembly instructions.

The suggested installation height of the product is: center of the camera 1.5 m from the ground.

**ADDRESSING**

On the rear of the enclosure there is an 8-position dip-switch box (2 + 6), with which you can set the address of the handset from 1 to 128, using the following table (binary code).

1	2	3	4	5	6	7	8	ADDRESS
0	0	0	0	0	0	0	0	RESERVED
0	0	0	0	0	0	0	1	1
0	0	0	0	0	0	1	0	2
0	0	0	0	0	0	1	1	3
0	0	0	0	0	1	0	0	4
0	0	0	0	0	1	0	1	5
...	...	...	...	...	...	...	...	
0	1	1	1	1	1	0	0	124
0	1	1	1	1	1	0	1	125
0	1	1	1	1	1	1	0	126
0	1	1	1	1	1	1	1	127
1	0	0	0	0	0	0	0	128



ON:1  
OFF:0



# TECHNICAL CATALOGUE

## 2 WIRE V44 EASY VIDEO INTERCOM

### INDOOR STATION WITH 4.3" DISPLAY - Cod. VI2F-PIT4B

220

The VI2F-PIT4B device is an internal audio/video station of the AVE system V44 EASY 2-wire video door entry system. The functions and characteristics are as follows:

**Audio/Video/Buttons:**

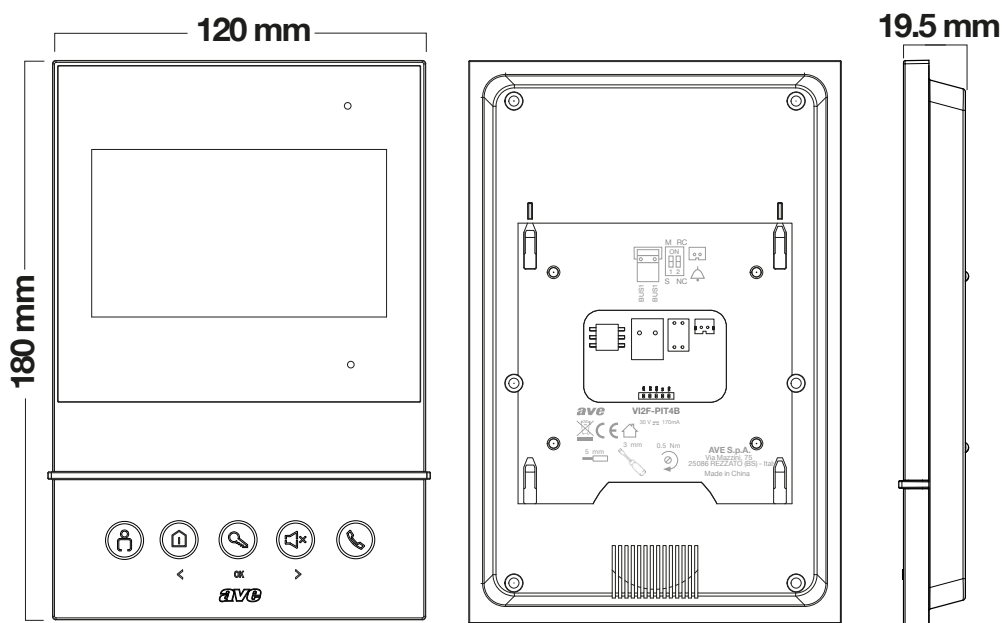
- 4.3" horizontal display
- Hands-free
- Touch buttons: entry point opening, ringtone silencing, camera viewing.

**Warnings:**

- Ringtone silencing active;
- Door open.

**Video intercom functions:**

- Call answering
- Viewing of analog cameras via the appropriate VI2F-CAM interface (not supplied)
- Management of outside door auxiliary bell
- Management of no.3 entry points, two on board the outdoor station and one optional via auxiliary relay VI2F-RELAY (not supplied)
- Intercom call between devices of the same or other apartments.

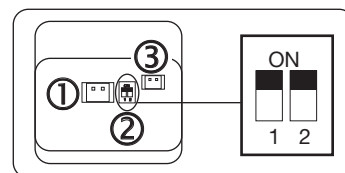


**TECHNICAL CHARACTERISTICS**

Operating voltage	30V <sub>DC</sub>	Operating temperature	From -10 °C to +55 °C
Maximum operating voltage	32V <sub>DC</sub>	Maximum altitude	2000 m a.s.l.
Absorption during operation	108 mA max @ 30 V <sub>DC</sub>	Protection rating	IP20 (IP40 when installed)
Absorption during stand-by	7 mA max @ 30 V <sub>DC</sub>	Installation	On vertically installed flush-mounted boxes, using the support provided
Dimensions (L x H x D)	120 x 180 x 19.5 mm		
LCD size	4.3 inches	Maximum number of devices (handsets + monitors) per apartment	4
Resolution	480 x 272 pixels	Environmental class as per EN 62820-1-1	CLASS III

**CONNECTIONS**

The meaning of the connection terminals and dip-switches located on the rear of the device is illustrated here below



**2-Wire BUS ①**

Polarized 2-pole removable male connector

- Terminal 1: BUS A
- Terminal 2: BUS B

**2-pole dip-switch ②**

- SW1-1** - Device Master/Slave Setting: Move to (M) or to (S) to assign the Master or Slave role, respectively
- SW1-2** - Impedance matching: turn to ON (RC) when the station is the last in a series. Otherwise, leave to OFF. It must be set to ON even if the station is connected to the VI2F-PIDIST indoor distributor.

**Input for the outside door bell button ③**

2-pole polarized male connector (complete with 10 cm cable)

- Terminal 1: GND
- Terminal 2: door bell input

*Note: use a potential-free normally open button*



VI2F-PIT4B

- 2fili  
2wire
- 4,3"
- Soft  
Touch
- PoE
- INTERCOM

**VI2F-PIT4B**

Hands-free audio/video indoor station with 4.3" colour display with 480x272 pixel resolution. Wall-mounted installation on vertical 3-module box using the dedicated bracket supplied with the device. It has no.5 soft touch buttons for the management of: answering incoming calls, management of 3 entry points (two on the outdoor station and one optional on the VI2F-RELAY auxiliary relay - not supplied), silencing of the internal bell with LED for active exclusion signalling, camera monitoring of the outdoor station and possible analog cameras connected to the system through a dedicated VI2F-CAM interface (not supplied). It also allows: intercom calls, floor bell management, door open alarm management. Dimensions (LxHxD): 120x180x19.5 mm.

HOME AUTOMATION

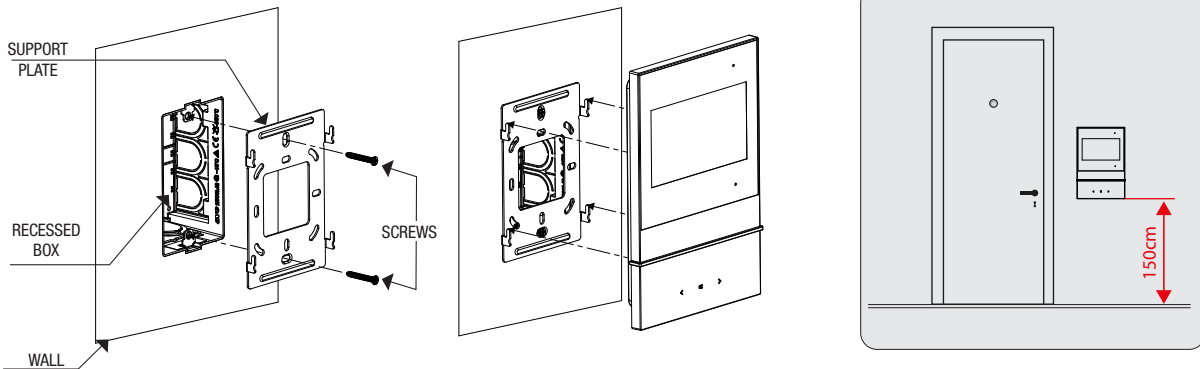
HOTEL MANAGEMENT

VIDEO INTERCOM

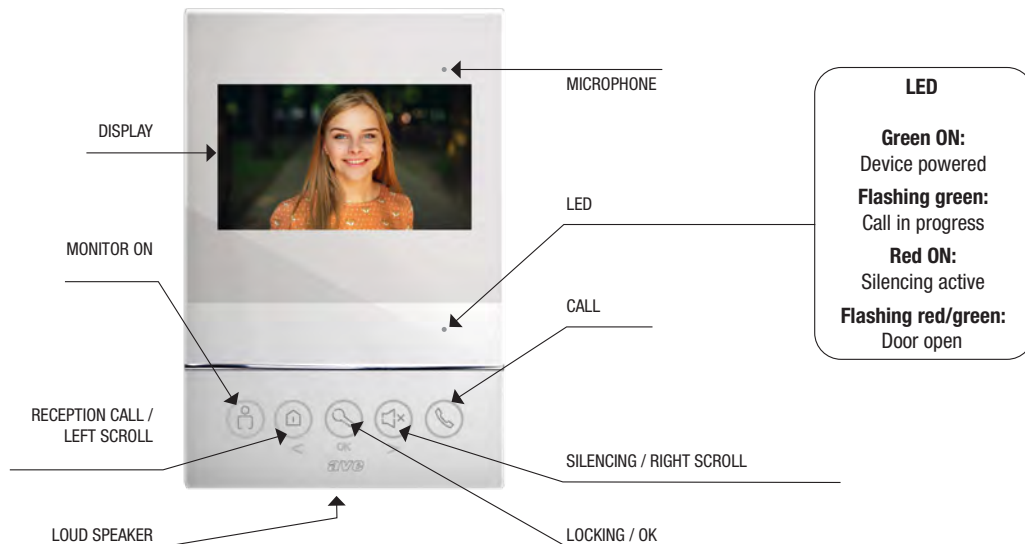
ANTI INTRUSION

WIRING DIAGRAMS AND PRESCRIPTIONS

**INSTALLATION EXAMPLE**

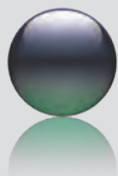


**MEANING BUTTONS**



<p><b>MONITOR:</b> opens the audio-video connection with outdoor station #1; press the button again to display the other outdoor stations or any cameras.</p>	<p><b>CONCIERGE CALL (if any) / LEFT SCROLL:</b> an indoor station becomes a concierge when it is assigned the address 200. When the call is active, press the button to unlock the auxiliary relay (optional).</p>	<p><b>LOCK / OK:</b> no function in Stand-by. Opening the gates of the currently operating displayed station. Short press: opening gate #1 Press &gt; 3 s: opening gate #2</p>	<p><b>SILENCING / RIGHT SCROLL:</b> press briefly to activate/deactivate the ringtone silencing (the LED will turn red when the ringtone is active). Press and hold to propagate the activation/deactivation of the silencing to any other slave stations in the same apartment.</p>	<p><b>CALL:</b> press to access the communication interface and to answer an incoming call.</p>





# TECHNICAL CATALOGUE

## 2 WIRE V44 EASY VIDEO INTERCOM

### INDOOR STATION WITH 7" TOUCH SCREEN - Cod. VI2F-PIT7B

222

The VI2F-PIT7B device is an internal audio/video station of the AVE DOMINA system V44 EASY 2-wire video door entry system. The functions and characteristics are as follows:

#### Audio/Video/Buttons:

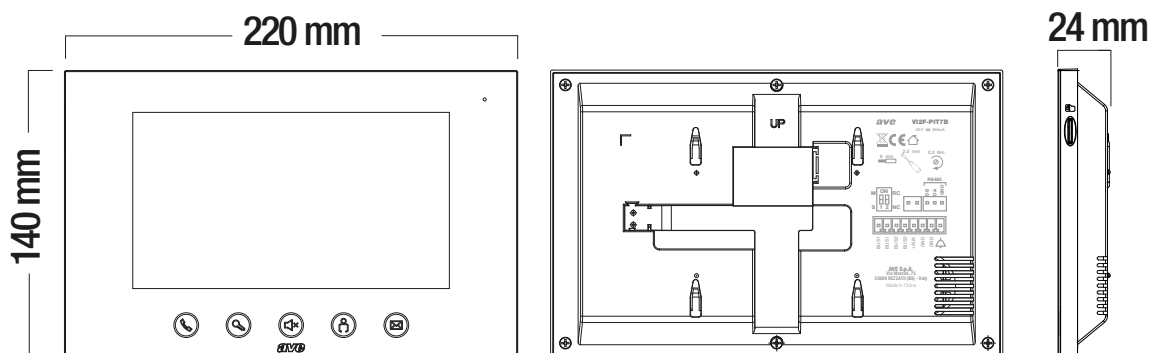
- 7" horizontal touch screen display
- Hands-free
- Backlit soft touch buttons with white LEDs: answer incoming call, opening of entry points, ringtone silencing, viewing of cameras;

#### Warnings:

- Missed call
- Door open
- Bell silencing active
- "Auto door open" function active;

#### Video intercom functions:

- Answering a call
- Viewing analog cameras via the appropriate VI2F-CAM interface(not supplied)
- Management of outside door auxiliary bell
- Management of no.3 entry points, two on board the outdoor station and one optional on the VI2F-RELAY relay (not supplied)
- Call intercom between devices in the same apartment or others
- SD CARD slot to record a call upon user request
- "Medical assistance" function.



#### TECHNICAL CHARACTERISTICS

Operating voltage	30V <sub>dc</sub>	Operating temperature	From -10 °C to +55 °C
Maximum operating voltage	32V <sub>dc</sub>	Maximum altitude	2000 m a.s.l.
Absorption during operation	145 mA max @ 30 V <sub>cc</sub>	Maximum number of devices (handsets + monitors) per apartment	4
Absorption during stand-by	12 mA max @ 30 VDC	Installation	On boxes 3 horizontal models, with the supplied bracket
Dimensions (L x H x D)	220 x 140 x 24 mm	Environmental class as per EN 62820-1-1	CLASS III
LCD size	7 inches 16/9	Protection rating	IP20 (IP30D when installed)
Resolution	800 x 480 pixels	Weight	470 g

#### CONNECTIONS

The meaning of the connection terminals and the dip-switch located at the rear of the device is illustrated here below:

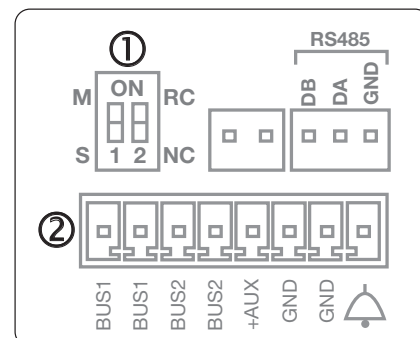
##### 2-pole dip-switch ①

- Device Master/Slave Setting: Set to (M) or to (S) to assign the Master or Slave role, respectively;
- Impedance matching: set to ON when the station is the last in a series. Otherwise, leave to OFF. It must be set to ON even if the station is connected to the VI2F-PIDIST indoor distributor

##### Connector ②

Polarized 8-pole removable connector

- Terminal 1: BUS1 A
  - Terminal 2: BUS1 B
  - Terminal 3: BUS2 A
  - Terminal 4: BUS2 B
  - Terminal 5: Auxiliary power supply +24VDC
  - Terminal 6: GND
  - Terminal 7: GND
  - Terminal 8: door bell button input
- Note: use a potential-free normally open button.*





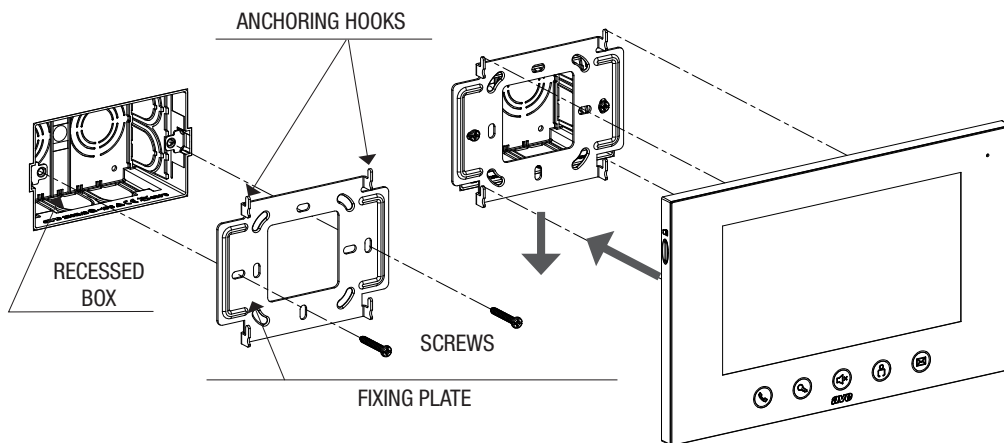
**VI2F-PIT7B**

Hands-free audio/video indoor station with 7" colour touch screen display. Wall-mounted installation on a horizontal 3-module box using the dedicated bracket supplied with the device. It has no.5 backlit soft touch buttons with white LED for the management of: answering incoming calls, management of 3 entry points (two on the outdoor station and one optional on the VI2F-RELAY auxiliary relay - equipment not supplied), silencing of the internal bell, camera monitoring of the outdoor station and possible analog cameras connected to the system via the appropriate VI2F-CAM interface (equipment not supplied), screen switching on/off. It also allows: intercom calls, acquisition of the camera frame of the outdoor station when a call arrives, floor bell management, door open alarm management, "medical assistance" door opening function. Simple and intuitive user interface with password protected access to configuration parameters. Dimensions (LxHxD): 220x140x24 mm.

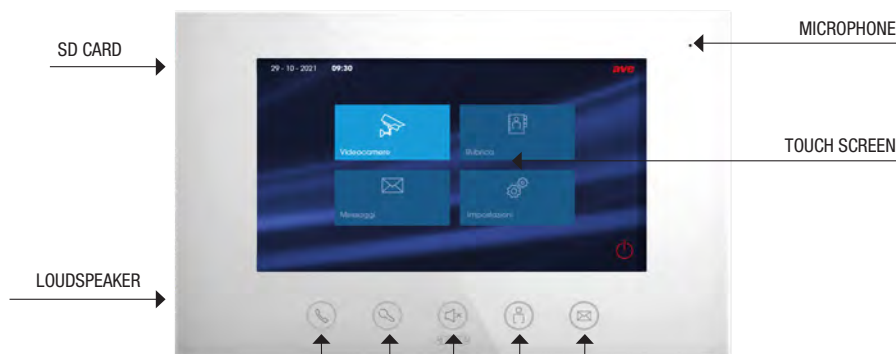
**VI2F-PIT7B**



**INSTALLATION EXAMPLE**



**MEANING BUTTONS**



<p><b>CALL:</b> Press to answer/close an incoming call. Press to speak when an outdoor station is being displayed but no call is in progress</p>	<p><b>LOCK:</b> no function in Stand-by mode; during an incoming call and/or conversation, press briefly to unlock the first relay of the outdoor station; press and hold to activate the second relay.</p>	<p><b>SILENCING:</b> press briefly to activate/deactivate the ringtone silencing (the LED will turn red when the ringtone is active). Press and hold to propagate the activation/deactivation of the silencing to any other slave stations in the same apartment.</p>	<p><b>MONITOR:</b> access to the monitoring interface</p>	<p><b>SCREEN:</b> turns the screen on/off, depending on the state of the screen.</p>

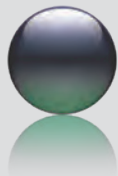
HOME AUTOMATION

HOTEL MANAGEMENT

VIDEO INTERCOM

ANTI INTRUSION

WIRING DIAGRAMS AND PRESCRIPTIONS



# TECHNICAL CATALOGUE

## 2 WIRE V44 EASY VIDEO INTERCOM

### WI-FI INDOOR STATION WITH 7" TOUCH SCREEN DISPLAY - Cod. VI2F-PIT7BWF

224

The VI2F-PIT7BWF device is a hands-free audio/video indoor station with 7" colour touch screen display and Wi-Fi connection of the AVE DOMINA system. **V44 EASY** 2-wire video door entry system. The functions and characteristics are as follows:

#### Audio/Video/Buttons:

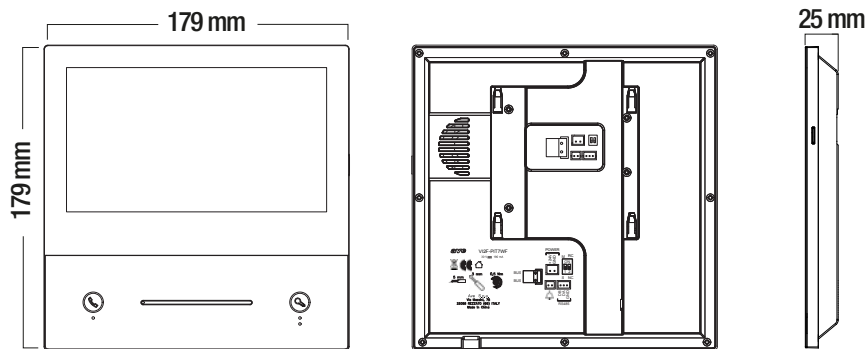
- 7" horizontal touch screen display • Speakerphone • Soft touch buttons: opening of entry points and call answering

#### Warnings:

- Missed call • Door open • Bell silencing active • "Medical assistance" function active;

#### Video intercom functions:

- Call answering • Viewing of analog cameras via the appropriate VI2F-CAM interface (not supplied)
- Management of outside door bell • Management of no.3 entry points, two on board the outdoor station and one optional on the VI2F-RELAY auxiliary relay (not supplied) • Intercom call between devices in the same apartment or others • Slot SD card • "medical assistance" function • Through the Wi-Fi connection it is possible to connect the device to the AVE V44 REMOTE APP (available for iOS and Android operating systems): from the APP it is possible to manage the call receipt and electric lock release functions.



#### Technical Characteristics

Operating voltage	30V <sub>CC</sub>	Operating temperature	From -10 °C to +55 °C
Maximum operating voltage	32V <sub>CC</sub>	Maximum altitude	2000 m a.s.l.
Absorption during operation	300 mA max @ 30 V <sub>CC</sub>	Maximum number of devices (handsets + monitors) per apartment	4
Absorption during stand-by	150 mA max @ 30 V <sub>CC</sub>		
Dimensions (L x H x D)	179.6 x 179.6 x 12 mm	Installation	On boxes 3 horizontal models, with the supplied bracket
LCD size	7 pollici 16/9	SD CARD	2 – 32 GB (not supplied)
Resolution	1024 x 600 pixel	Environmental class as per EN 62820-1-1	CLASS III
Weight	470 g	Protection rating	IP20 (IP40 when installed)

#### CONNECTIONS

The meaning of the connection terminals and the dip-switch located at the rear of the device is illustrated here below:

##### Connector ①

- Terminal 1: BUS1 A
- Terminal 2: BUS1 B

##### Connector ②

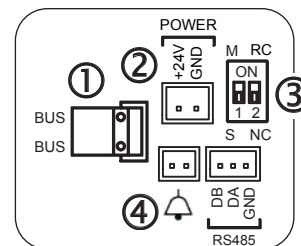
- Terminal 1: Auxiliary power supply +24V<sub>CC</sub>
- Terminal 2: GND

##### Dip-switch ③

- Sw 1** -Device Master/Slave setting: move to M to assign the role of Master, move to S to assign the role of Slave
- Sw 2** - Impedance adjustment: move to the ON position when the station is the last in a series; otherwise leave in the OFF position. It must be set to ON even if the station is connected to the internal distributor VI2F-PIDIST.

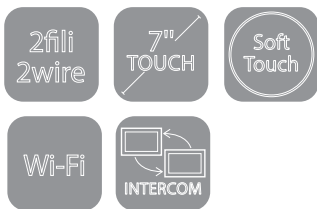
##### Input for the outside door bell button ④

- 2-pole polarised male connector
- Female connector complete with 10 cm cables provided with the supply
  - Terminal 1: GND
  - Terminal 2: door bell input
- Note: Use a potential-free contact (N.O.)*





VI2F-PIT7WF



Gestione, mediante APP AVE VIDEO V44 dedicata, della risposta remota alle chiamate videocitfoniche

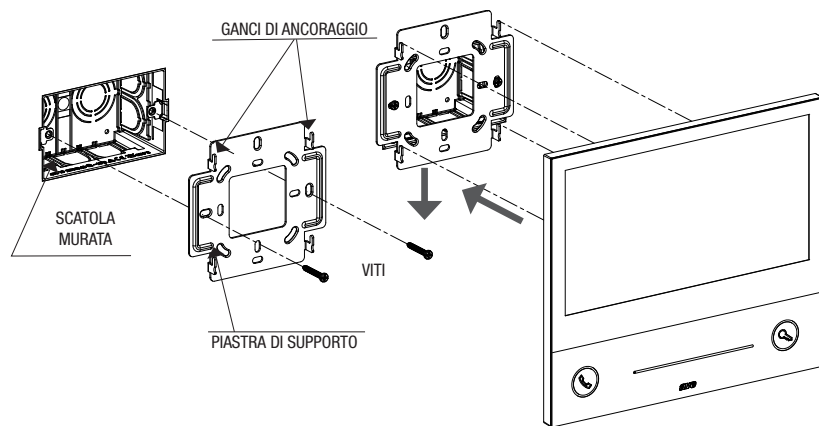


**VI2F-PIT7WF**

Hands-free audio/video indoor station with 7" colour touch screen display and Wi-Fi connection. Wall-mounted installation on a 3-module box using the dedicated bracket supplied with the device. It has no.2 soft touch buttons for the answering of incoming calls and releasing of the electric lock. The device allows the following functions: answering of incoming calls, management of no.3 entry points, two on board the outdoor station and one optional on the VI2F-RELAY auxiliary relay (not supplied), intercom calls, acquisition of the camera frame of the outdoor station when a call arrives, silencing of the internal ringtone, camera monitoring of the outdoor station and possible analog cameras connected to the system through a dedicated VI2F-CAM interface (not supplied), floor bell management, door open alarm management, "medical assistance" door opening management. Through the Wi-Fi connection it is possible to connect the device to the AVE V44 REMOTE APP (available for iOS and Android operating systems): from the APP it is possible to manage the functions for receiving calls and releasing electric locks.

Dimensions (LxHxD): 179x179x25 mm.

**INSTALLATION EXAMPLE**



HOME AUTOMATION

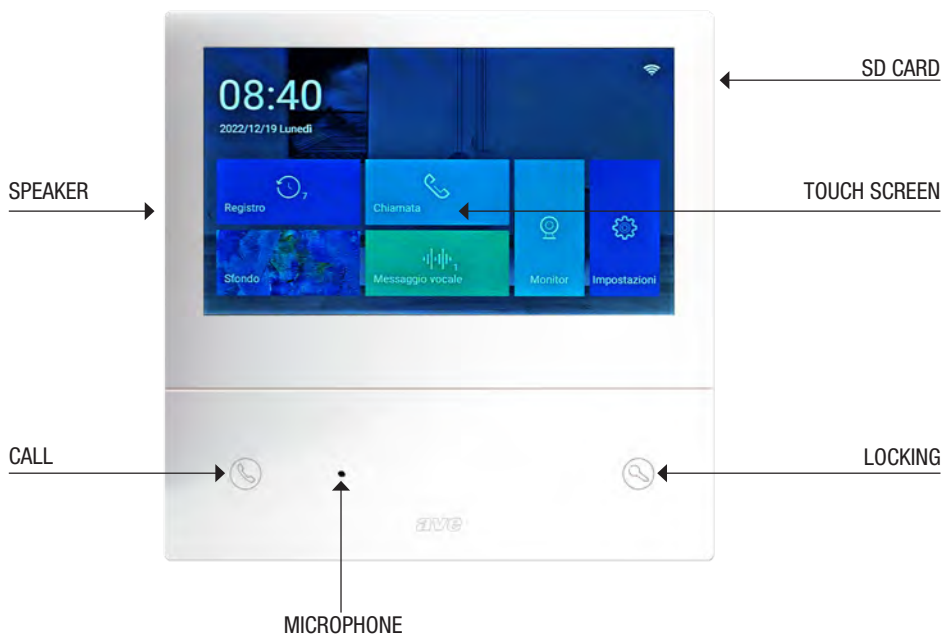
HOTEL MANAGEMENT

VIDEO INTERCOM

ANTI INTRUSION

WIRING DIAGRAMS AND PRESCRIPTIONS

**MEANING BUTTONS**







# VIDEO INTERCOM SYSTEM System Description

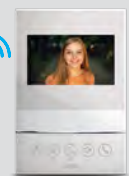
226

## IP TECHNOLOGY

V I D E O P H O N I A  
S M A R T



- Simplified wiring: standard LAN network and power supply via +24Vdc switching or 48Vdc PoE switch power supply adapter
- Integrated system: it is possible to view and integrate the indoor station with the Domina Smart home automation system
- Security: control of the Domina Smart burglar alarm system and IP camera monitoring
- Intercom calls within the apartment and between multiple apartments
- Simplified access via the MIFARE card reader
- Dedicated APP for remote call management for iOS and Android devices



App Store Google Play



### Indoor Stations

The AVE V44 SMART video intercom system offers a wide range of indoor stations with IP technology: available in versions with an audio handset, 4.3" display, 7" and 10" touch screen with intuitive interfaces for maximum user-friendliness. The PoE technology powers the device directly from the grid cable. The 7" and 10" indoor stations are made of top-quality materials: satin finish aluminium (either natural or burnished colour) and glass which gives the device a unique and elegant design. The 10" indoor station has a LED bar with changeable colours. The 7" and 10" IP stations can display and control burglar alarm control units and the residential home automation supervisor, making the various elements part of one large AVE system

HOME AUTOMATION

HOTEL MANAGEMENT

VIDEO INTERCOM

ANTI INTRUSION

WIRING DIAGRAMS AND PRESCRIPTIONS

### Outdoor Stations

The AVE V44 SMART video intercom system offers different types of outdoor stations in order to integrate with the various functional and aesthetic needs in a variety of residential and tertiary settings. The following are available: **"Villa" models** in single-family, two-family and four-family versions, all of which can be combined with the eight-call auxiliary column. Their compactness makes them ideal for installation on poles with 100 mm side.

**"Building" model** with 7" touch screen that allows users to be viewed by scrolling columns or the numeric keypad. The single-call, two-call and building outdoor stations are equipped with a MIFARE® card reader to manage the main entrance using a card.







# VIDEO INTERCOM SYSTEM

## System Description

### AUDIO-VIDEO OUTDOOR STATIONS 'VILLA' MODEL

228

- Sophisticated design for classy environments
- Two-material design: aluminium and tempered glass
- Protection rating IP44
- Flush-mounted and/or wall-mounted installation
- Orientable camera with resolution 2M Pixel
- Integrated MIFARE card reader®
- Name cards removable from front
- Management of three relays (two on board the device and one on the auxiliary module) for access opening purposes

PoE



VIIP-PE1

PoE



VIIP-PE2



#### MIFARE TRANSPONDER ACCESS CONTROL®

The outdoor stations of the V44 EASY and V44 SMART video intercom systems employ MIFARE® contactless technology, which guarantees reliability even for auxiliary access control (available on the 'Villa' model one- and two-call outdoor stations and on the 'Building' model). The system makes use of the cards' unique codes with no need to write data onto them. This leaves the option of using the same card with third-party systems (not supplied by AVE), allowing a very wide range of services to be provided to customers, to which they will have access via the same entry card.

The V44 EASY and V44 SMART video intercom systems can handle two types of cards: MASTER and USER:

- MASTER: is used to match USER-type cards to the outdoor station;
- USER is used to open the main entrance (power output contact).

- Backlighting of name cards with low-power LEDs, coloured white and with varying intensity depending on ambient lighting
- Up to 36 calls can be managed
- LED night lighting for improved image quality
- Adjustable speaker volume
- Speaker 8 Ohm 2W
- Installable on 100 mm posts/columns

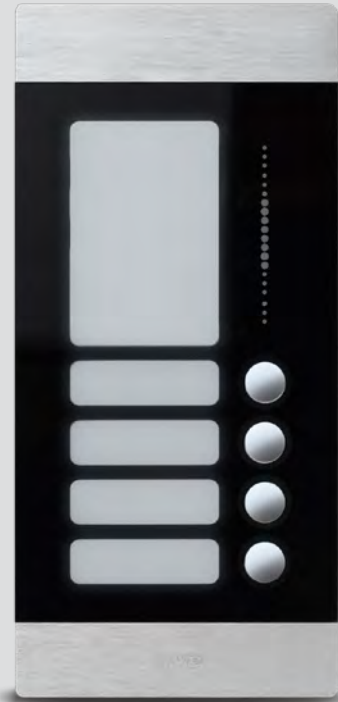
PoE



**VIIP-PE4**



**VI-PEAUX**



**VI-PEAUX4**



**ORIENTABLE CAMERA**

The outdoor stations of the V44 EASY and V44 SMART video intercom systems are equipped with a camera that can be oriented during installation to allow optimal coverage of the outdoor environment.

**ADJUSTABLE VOLUME**

The loudness of the speaker can be adjusted by means of a potentiometer located on the rear of the device.



HOME AUTOMATION

HOTEL MANAGEMENT

VIDEO INTERCOM

ANTI INTRUSION

WIRING DIAGRAMS AND PRESCRIPTIONS



# VIDEO INTERCOM SYSTEM

## System Description

### AUDIO-VIDEO OUTDOOR STATION 'BUILDING' MODEL

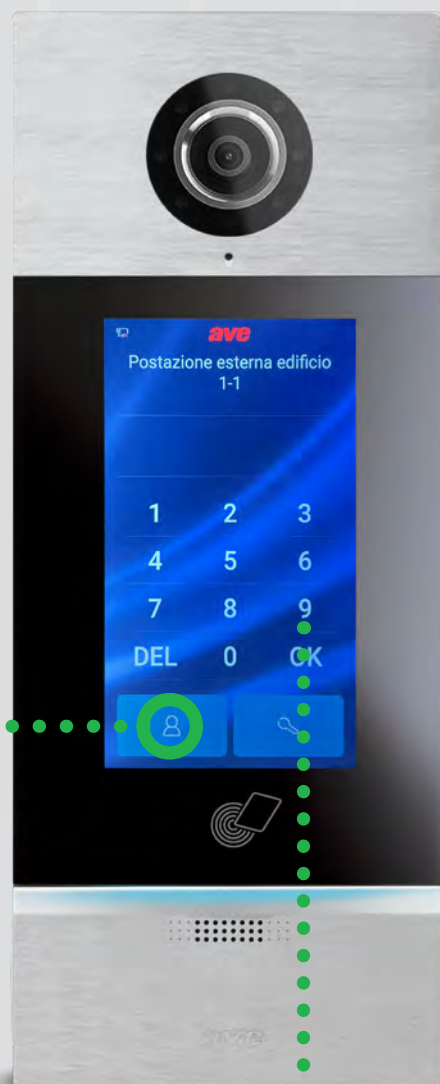
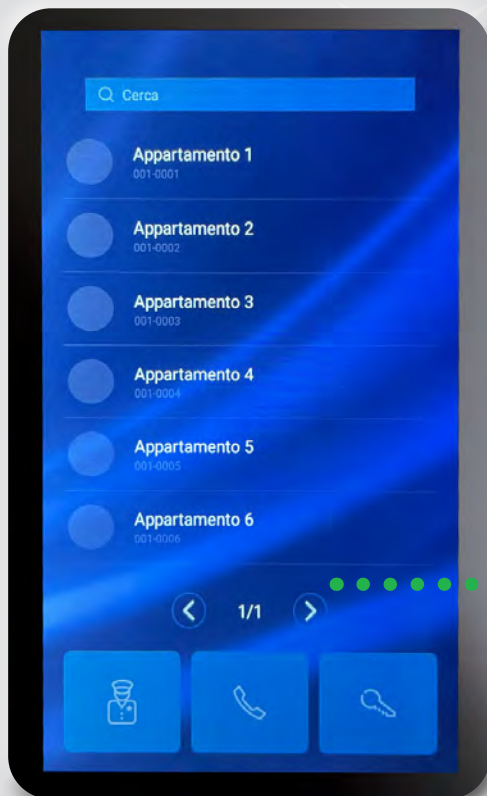
230

- Sophisticated design for classy environments
- Two-material design:  
Aluminium and tempered glass
- Integrated MIFARE card reader®
- Orientable camera with resolution 2M Pixel
- Display of name list or of numeric keypad

#### NAME LIST FUNCTION

by pressing the appropriate button it is possible to access the user name search page.

PoE



VIIP-PE7T

#### KEYPAD FUNCTION

the display of the outdoor station model 'BUILDING' can be configured to display the numeric keypad to dial the extension number. It is also possible to search for a desired user via a dedicated page.

- Management of three relays (two on board the device and one on the auxiliary module) for access opening purposes
- Adjustable loudspeaker volume via software parameter
- Speaker 8 Ohm 2W
- Flush-mounted and/or wall-mounted installation
- Protection rating IP44



### MIFARE TRANSPONDER ACCESS CONTROL®

The outdoor stations of the V44 EASY and V44 SMART video intercom systems employ MIFARE® contactless technology, which guarantees reliability even for auxiliary access control (available on the 'Villa' model one- and two-call outdoor stations and on the 'Building' model). The system makes use of the cards' unique codes with no need to write data onto them. This leaves the option of using the same card with third-party systems (not supplied by AVE), allowing a very wide range of services to be provided to customers, to which they will have access via the same entry card.

The V44 EASY and V44 SMART video intercom systems can handle two types of cards: MASTER and USER:

- MASTER: is used to match USER-type cards to the outdoor station;
- USER is used to open the main entrance (power output contact).



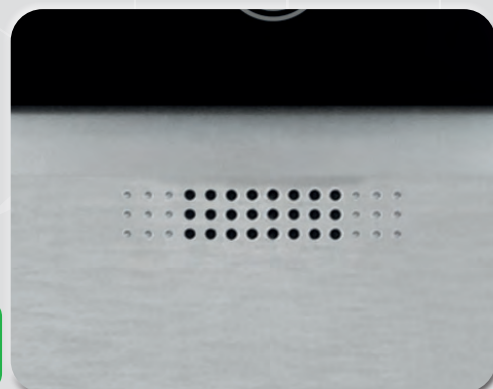
### ADJUSTABLE VOLUME

you can adjust the intensity of the volume in speaker output via specific parameter using software management AVE V44-CONFIG available for PC with Windows® operating system.



### ORIENTABLE CAMERA

The outdoor stations of the V44 EASY and V44 SMART video intercom systems are equipped with a camera that can be oriented during installation to allow optimal coverage of the outdoor environment.







# VIDEO INTERCOM SYSTEM

## System Description

### AUDIO-VIDEO INDOOR STATION

232

The AVE V44 SMART system is equipped with intercom handset and supervisors with touch screen displays with a technologically flawless design, made of double material: glass and aluminum. Available in 4,3", 7" and 10" versions.



#### TS-SMART10ALS

The new design is enhanced by an integrated multicolored LED bar for soft ambient lighting.



#### TS-SMART10ANS



#### FINISHES

both models are available in natural or anthracite brushed aluminum.



#### TS-SMART7ALS

#### TS-SMART7ANS

The "little brother" only in size but with design and performance that is always impeccable.

Device management with Avebus / IoT protocol (via Web Server) and KNX protocol.



Visualization and management of the home automation system.

Display and management of the anti-intrusion system.

Answering incoming calls from external stations.

Display of IP cameras installed on the system.

HOME AUTOMATION

HOTEL MANAGEMENT

VIDEO INTERCOM

ANTI INTRUSION

WIRING DIAGRAMS AND PRESCRIPTIONS

**VIIP-PIT4B**

Hands-free audio/video indoor station with 4.3" colour display



**VIIP-PICAB**  
Intercom handset for wall installation







# VIDEO INTERCOM SYSTEM

## System Description

INSTALLATION EXAMPLES - DETACHED HOUSE WITH FOUR INDOOR STATIONS TOUCH SCREEN

234

TS-SMART7ALS



TS-SMART10ALS



### TECHNICAL NOTES

*TS-SMART7XX, TS-SMART10XX AND VIIP-PIT4B TOUCH SCREENS*

- CAN BE POWERED VIA 48 VDC PoE SWITCH OR VIA POWER SUPPLY 24VDC
- MUST BE CONNECTED TO THE SAME DATA NETWORK
- RECEIVE CALLS SIMULTANEOUSLY
- 4 INDOOR STATIONS PER CALL

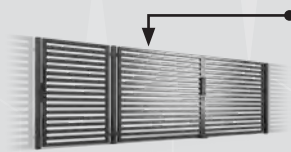
TS-SMART7ANS



VIIP-PIT4B



VIIP-SPOE



Entrance opening



VIIP-PE1

- ← DOOR-OPENING BUTTON
- ← DOOR OPEN SENSOR

HOME AUTOMATION

HOTEL MANAGEMENT

VIDEO INTERCOM

ANTI INTRUSION

WIRING DIAGRAMS AND PRESCRIPTIONS



# VIDEO INTERCOM SYSTEM

## System Description

### INSTALLATION EXAMPLES - FLAT WITH HOME AUTOMATION WEB SERVER

236

TS-SMART7ALS



1



TS-SMART10ALS



2



TS-SMART7ANS



3



Router domestico



TS01



53AB-WBS  
HOME AUTOMATION Web Server



AVEBus



**domina**<sup>Pro</sup>  
Professional Home Automation

**TS-SMART10ANS**
**VIIP-SPOE**

**Entrance opening**
**VIIP-PE1**


- ← DOOR-OPENING BUTTON
- ← DOOR OPEN SENSOR

HOME AUTOMATION

HOTEL MANAGEMENT

VIDEO INTERCOM

ANTI INTRUSION

 WIRING DIAGRAMS  
AND PRESCRIPTIONS

**TECHNICAL NOTES**
*TS-SMART7XX AND TS-SMART10XX TOUCH SCREENS:*

- CAN BE POWERED VIA 48 VDC PoE SWITCH OR VIA POWER SUPPLY 24VDC
- MUST BE CONNECTED TO THE SAME DATA NETWORK
- VIEW VIDEO CALLS SIMULTANEOUSLY
- CAN SUPERVISE HOME AUTOMATION AND ANTI-INTRUSION SYSTEMS, VIA Wi-Fi CONNECTION
- 4 INDOOR STATIONS PER CALL
- IF THE SYSTEM FEATURES THE IP VIDEO INTERCOM, THE CONNECTION TO THE HOME AUTOMATION SUPERVISOR IS MADE ONLY VIA Wi-Fi NETWORK; THE WIRED NETWORK IS USED ONLY FOR THE CONNECTION OF THE IP VIDEO DOOR PHONE PART
- IF THE SYSTEM DOES NOT FEATURE THE IP VIDEO INTERCOM, THE CONNECTION TO THE HOME AUTOMATION SUPERVISOR CAN BE MADE EITHER VIA WIRED LAN OR VIA THE Wi-Fi NETWORK





# VIDEO INTERCOM SYSTEM

## System Description

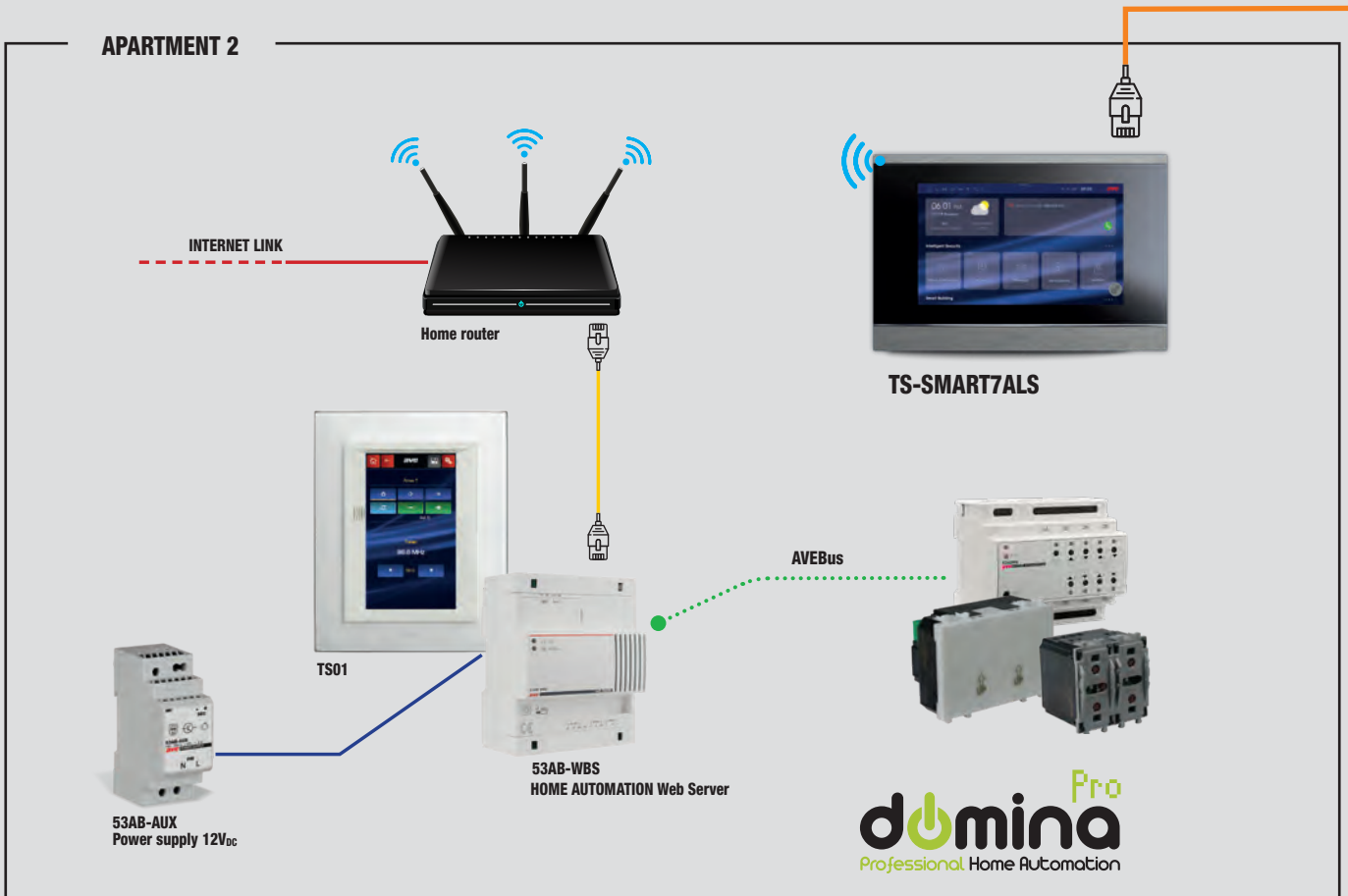
### INSTALLATION EXAMPLES - FOUR-FAMILY WITH 2 APARTMENTS WITH HOME AUTOMATION SYSTEM

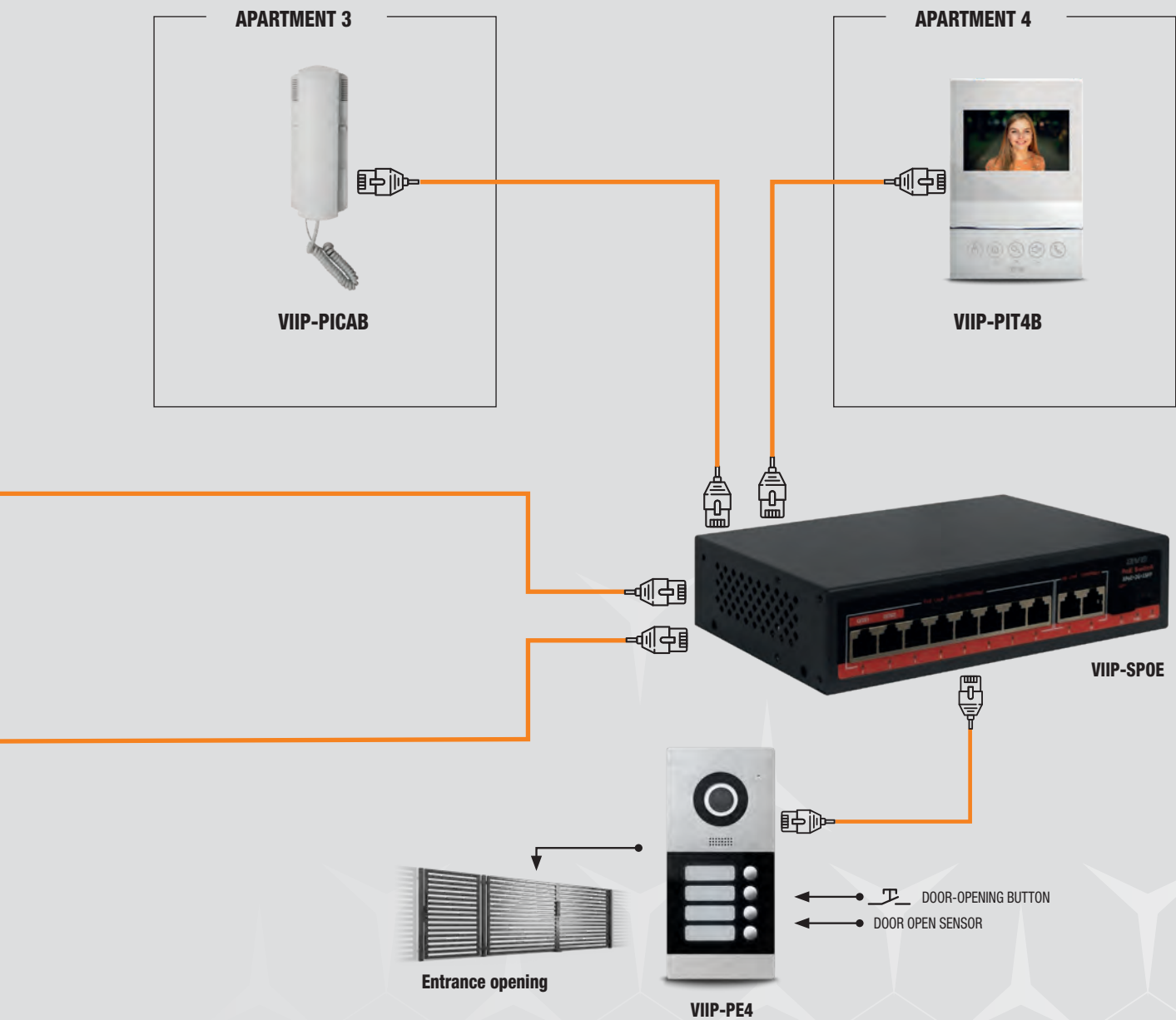
238

#### APARTMENT 1



#### APARTMENT 2





HOME AUTOMATION

HOTEL MANAGEMENT

VIDEO INTERCOM

ANTI INTRUSION

 WIRING DIAGRAMS  
AND PRESCRIPTIONS

## TECHNICAL NOTES

*TS-SMART7XX, TS-SMART10XX, VIIP-PIT4B AND VIIP-PICAB DEVICES:*

- CAN BE POWERED VIA 48 VDC PoE SWITCH OR VIA POWER SUPPLY 24VDC
- MUST BE CONNECTED TO THE SAME DATA NETWORK
- VIEW VIDEO CALLS SIMULTANEOUSLY
- CAN SUPERVISE HOME AUTOMATION AND ANTI-INTRUSION SYSTEMS, VIA Wi-Fi CONNECTION
- 4 INDOOR STATIONS PER CALL
- IF THE SYSTEM FEATURES THE IP VIDEO INTERCOM, THE CONNECTION TO THE HOME AUTOMATION SUPERVISOR IS MADE ONLY VIA Wi-Fi NETWORK; THE WIRED NETWORK IS USED ONLY FOR THE CONNECTION OF THE IP VIDEO DOOR PHONE PART
- IF THE SYSTEM DOES NOT FEATURE THE IP VIDEO INTERCOM, THE CONNECTION TO THE HOME AUTOMATION SUPERVISOR CAN BE MADE EITHER VIA WIRED LAN OR VIA THE Wi-Fi NETWORK





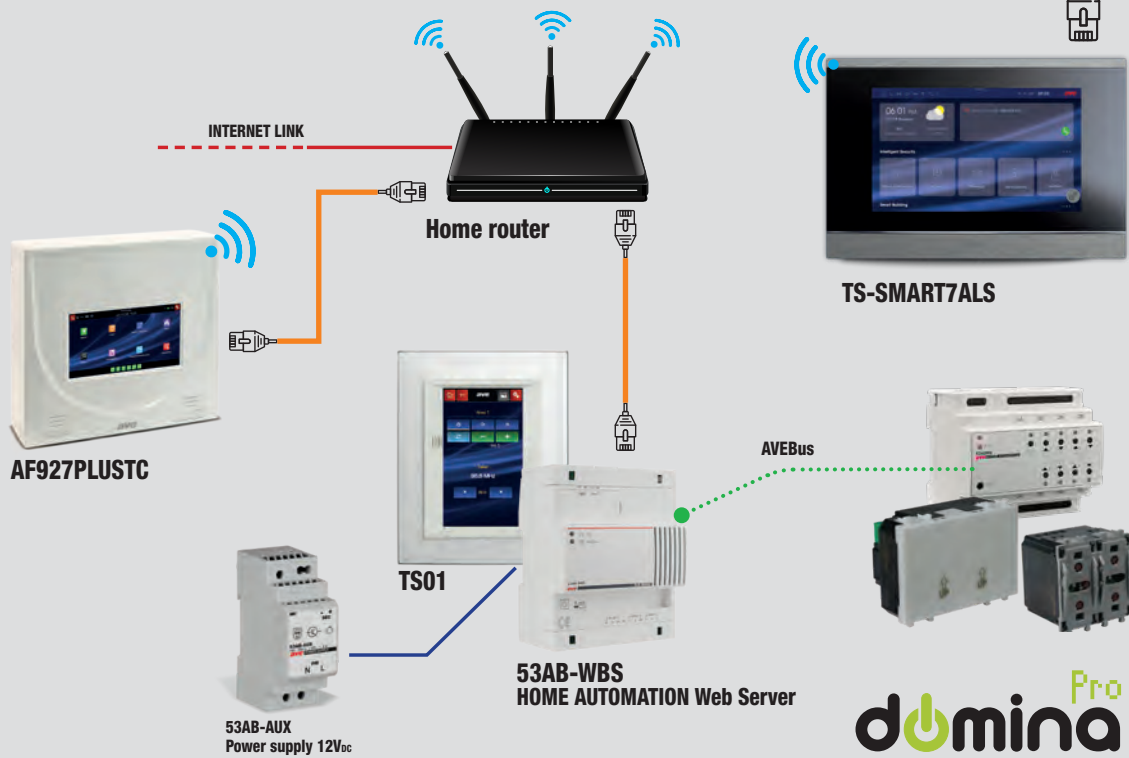
# VIDEO INTERCOM SYSTEM System Description

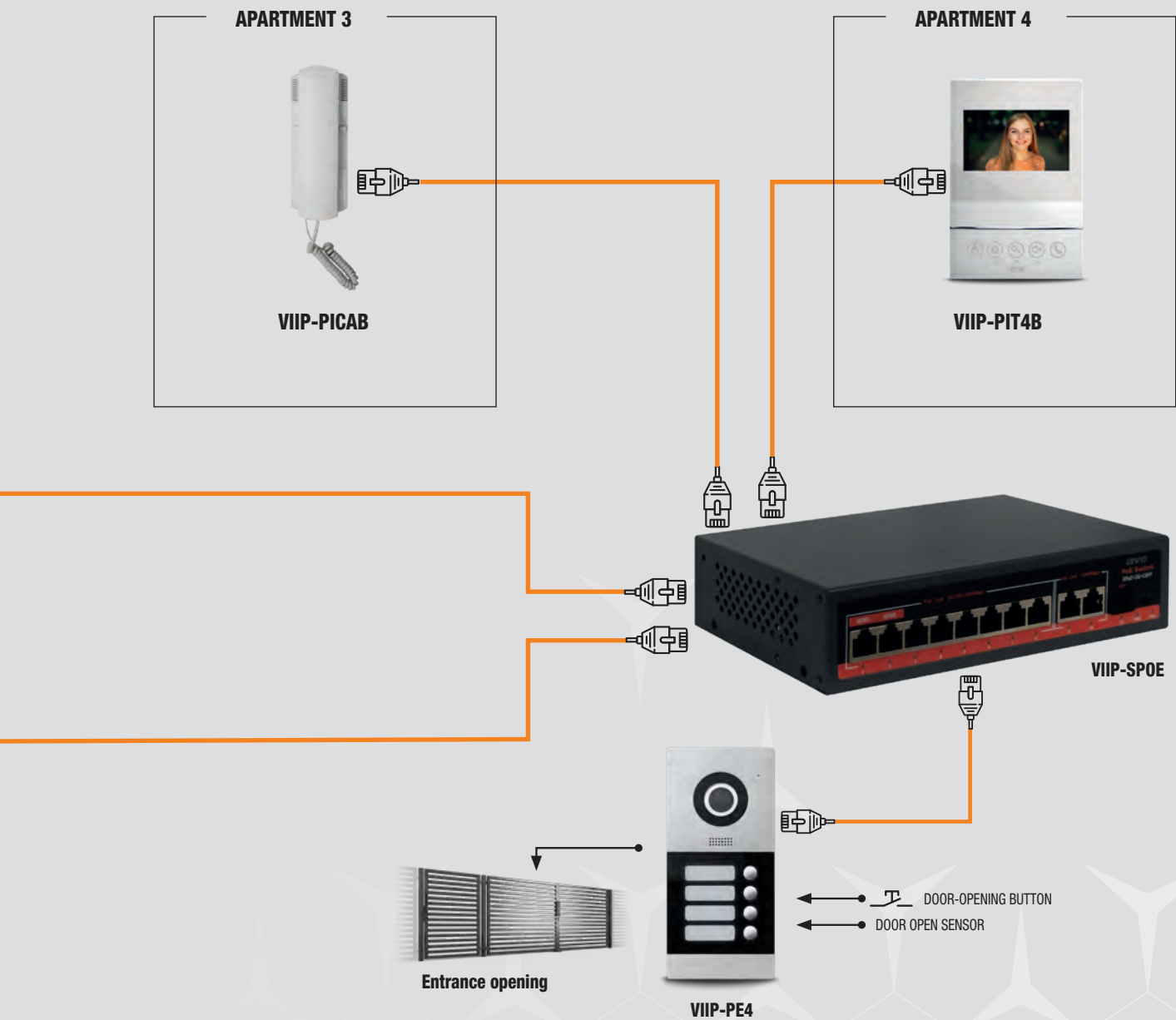
## INSTALLATION EXAMPLES - FOUR-FAMILY WITH 2 APARTMENTS WITH HOME AUTOMATION/BURGLAR ALARM SYSTEM

### APARTMENT 1



### APARTMENT 2





HOME AUTOMATION

HOTEL MANAGEMENT

VIDEO INTERCOM

ANTI INTRUSION

 WIRING DIAGRAMS  
AND PRESCRIPTIONS

## TECHNICAL NOTES

*TS-SMART7XX, TS-SMART10XX, VIIP-PIT4B AND VIIP-PICAB DEVICES:*

- CAN BE POWERED VIA 48 VDC PoE SWITCH OR VIA SWITCHING POWER SUPPLY 24VDC
- MUST BE CONNECTED TO THE SAME DATA NETWORK
- VIEW VIDEO CALLS SIMULTANEOUSLY
- CAN SUPERVISE HOME AUTOMATION AND ANTI-INTRUSION SYSTEMS, VIA Wi-Fi CONNECTION
- 4 INDOOR STATIONS PER CALL
- IF THE SYSTEM FEATURES THE IP VIDEO INTERCOM, THE CONNECTION TO THE HOME AUTOMATION SUPERVISOR IS MADE ONLY VIA Wi-Fi NETWORK; THE WIRED NETWORK IS USED ONLY FOR THE CONNECTION OF THE IP VIDEO DOOR PHONE PART
- IF THE SYSTEM DOES NOT FEATURE THE IP VIDEO INTERCOM, THE CONNECTION TO THE HOME AUTOMATION SUPERVISOR CAN BE MADE EITHER VIA WIRED LAN OR VIA THE Wi-Fi NETWORK



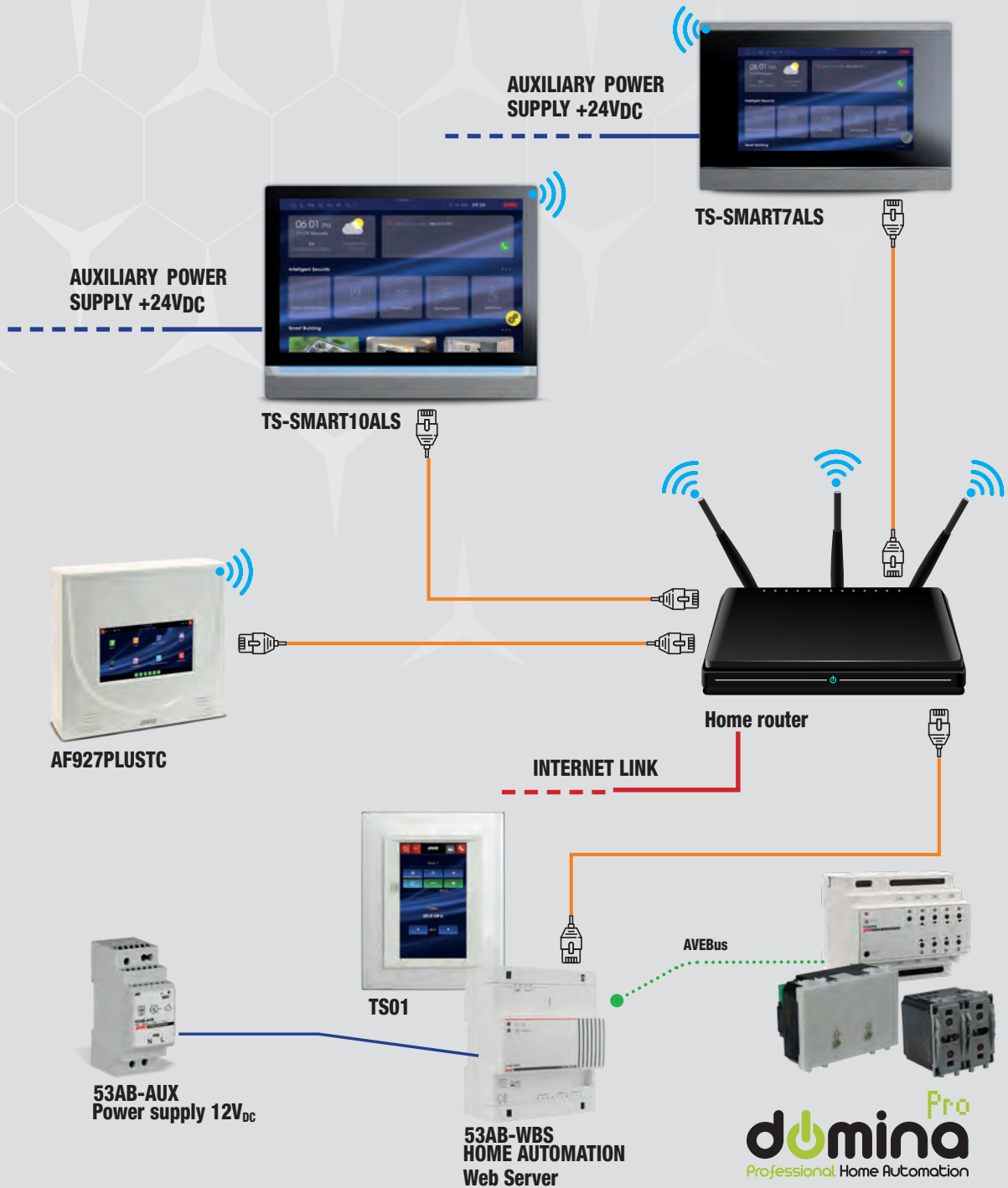
# VIDEO INTERCOM SYSTEM

## System Description

INSTALLATION EXAMPLES - HOME AUTOMATION AND ANTI-INTRUSION CONNECTION WITHOUT VIDEO INTERCOM SYSTEM

242

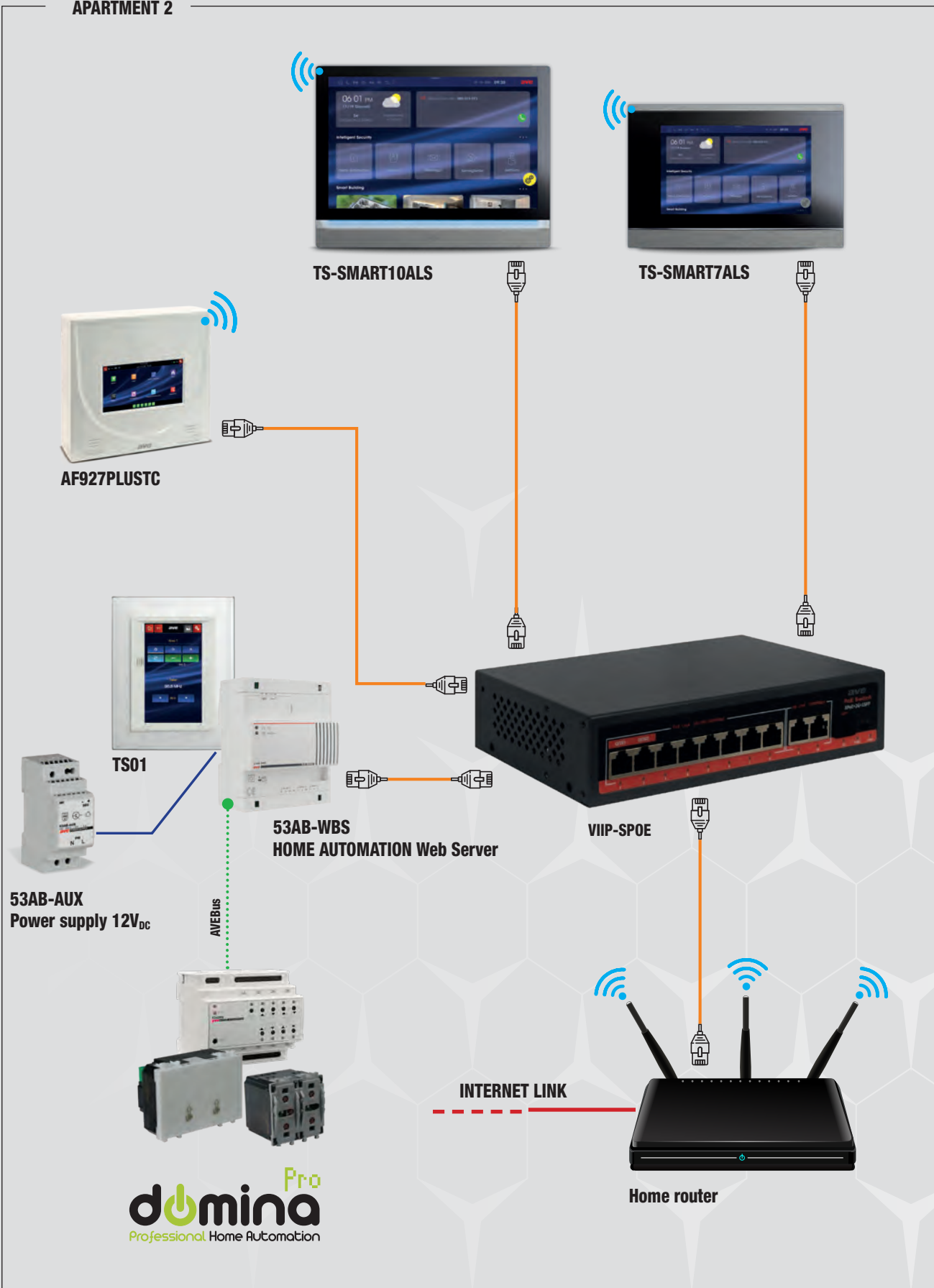
### APARTMENT 1



### TECHNICAL NOTES

- *TS-SMART7XX AND TS-SMART10XX DEVICES CAN BE POWERED BY A 24VDC POWER SUPPLY OR BY A 48VDC PoE SWITCH*
- *IF THE SYSTEM FEATURES THE IP VIDEO INTERCOM, THE CONNECTION TO THE HOME AUTOMATION SUPERVISOR IS MADE ONLY VIA Wi-Fi NETWORK; THE WIRED NETWORK IS USED ONLY FOR THE CONNECTION OF THE IP VIDEO DOOR PHONE PART*
- *IF THE SYSTEM DOES NOT FEATURE THE IP VIDEO INTERCOM, THE CONNECTION TO THE HOME AUTOMATION SUPERVISOR CAN BE MADE EITHER VIA WIRED LAN OR VIA THE Wi-Fi NETWORK*

APARTMENT 2



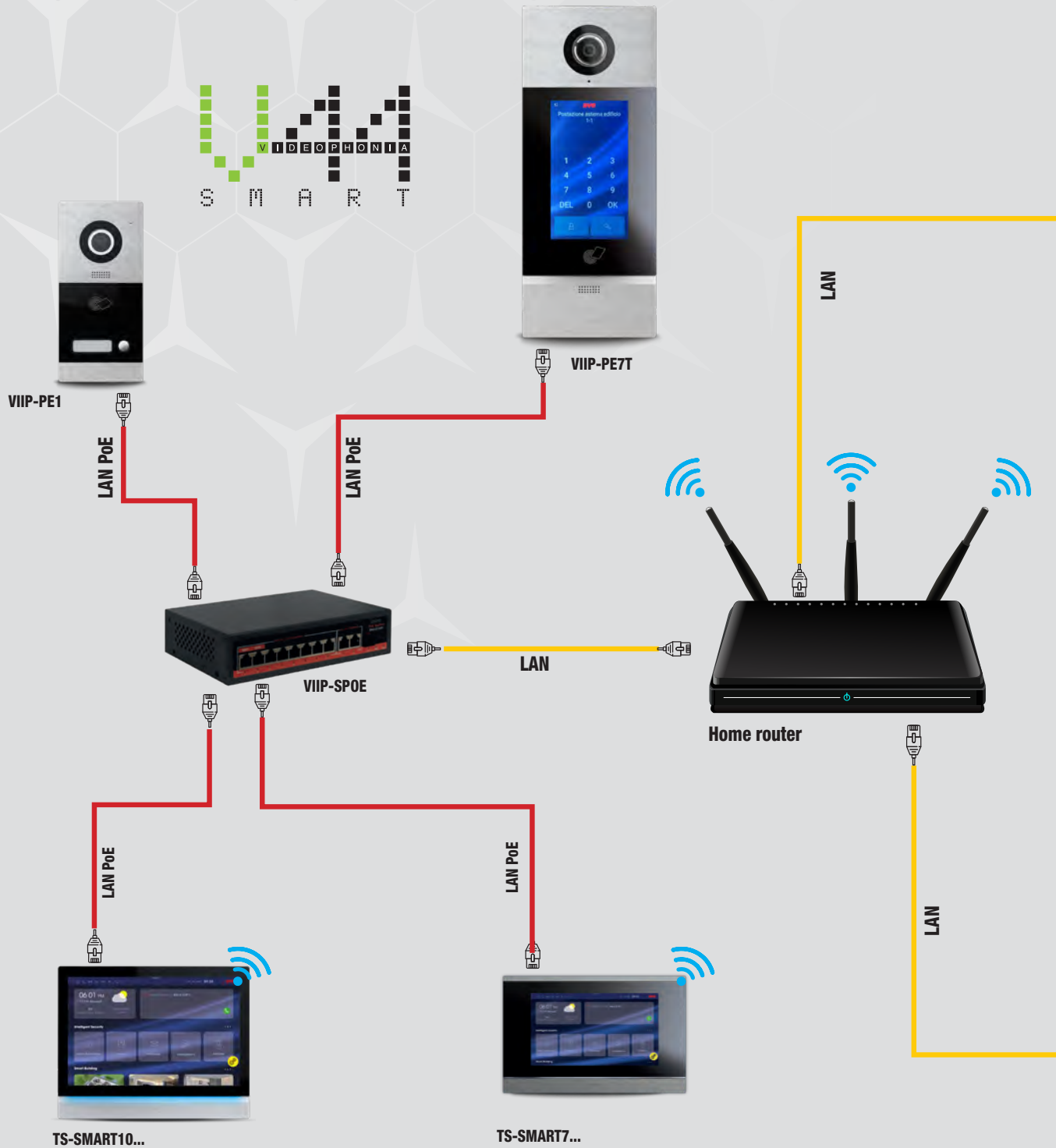


# VIDEO INTERCOM SYSTEM

## System Description

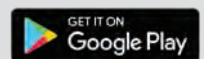
### INTEGRATION BETWEEN AVE SMART SYSTEMS

244



Residential home automation and anti-intrusion management via Wi-Fi network

Management via dedicated AVE VIDEO V44 App, of remote answering of video intercom calls





**domina smart**  
Anti-intrusion System **IoT**

AVE PATENT No. 244/5/6  
EU MODEL

Home Automation and IoT system connection  
via Wi-Fi or wired LAN interface card

Complete management of home automation and  
anti-intrusion systems via AVE CLOUD App



HOME AUTOMATION

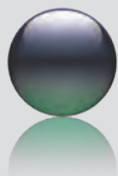
HOTEL MANAGEMENT

VIDEO INTERCOM

ANTI INTRUSION

WIRING DIAGRAMS  
AND PRESCRIPTIONS





# TECHNICAL CATALOGUE

## IP V44 SMART VIDEO INTERCOM

### AUDIO-VIDEO OUTDOOR STATIONS - Cod. VIIP-PE1 - VIIP-PE2 - VIIP-PE4

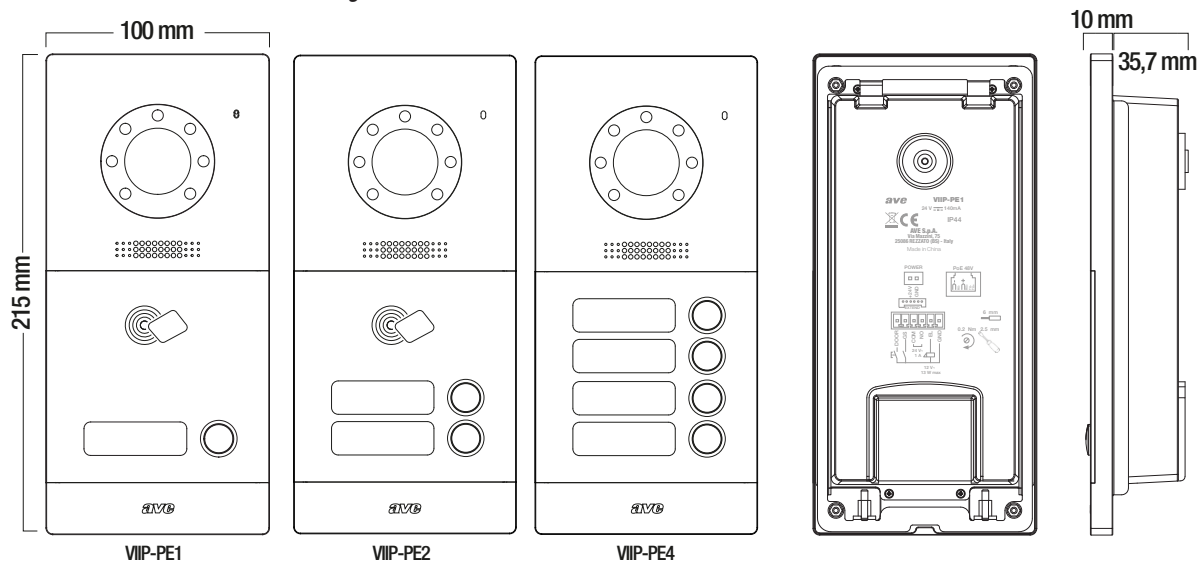
246

The VIIP-PE1, VIIP-PE2 and VIIP-PE4 devices are the audio/video Outdoor Stations of the AVE DOMINA system V44 SMART IP video door entry system. It is a monobloc device suitable for flush installation using the box (art. VI-BOX3) and any rain cover (art. VI-RPBOX3), or for wall mounting by means of the appropriate box (art. VI-BOX4).

The main features of the devices are:

- VIIP-PE1: single-button one-call version. Integrated MIFARE® card reader;
- VIIP-PE2: two-button two-call version. Integrated MIFARE® card reader;
- VIIP-PE4: four-button four-call version\*;
- Name tags lighting with variable density white LEDs, depending on the brightness of the environment;
- "Power" entry point opening relay;
- Entry point opening relay with normally open contact;

\* Note: the MIFARE® card reader is not integrated in the four-call version



#### TECHNICAL CHARACTERISTICS

<b>Operating voltage</b>	24Vdc with auxiliary power supply 48Vdc via PoE switch	<b>M. num. of devices that can be installed</b>	16 outdoor stations in "Building" mode 32 outdoor stations in "Villa" mode
<b>Absorption during operation</b>	250 mA max @24 Vcc	<b>Camera</b>	CMOS with white light illuminator
<b>Absorption during stand-by</b>	70 mA max @24 Vcc	<b>Installation</b>	Wall or flush installation
<b>Absorption during operation</b>	100 mA max @48 Vcc PoE	<b>Protection rating</b>	IP20 (IP44 when installed)
<b>Absorption during stand-by</b>	50 mA max @48 Vcc PoE	<b>Environmental class as per EN 62820-1-1</b>	CLASS IV
<b>Dimensions (L x H x D)</b>	(L x H x P) 100 x 215 x 45,7 mm	<b>Protrusion from the wall</b>	10 mm
<b>Operating temperature</b>	Da -25°C a +55°C	<b>Door opening actuator #2</b>	N.O. monostable relay 1A/24Vdc
<b>Maximum altitude</b>	2000 m s.l.m.	<b>M. n. of cards that can be managed</b>	200

#### CONNECTIONS

The meaning of the connection terminals and trimmers located at the rear of the device is illustrated here below. The arrangement of the connectors is shown in figure on the side

##### Connector (2 pole) ①:

Terminal 1: +24Vdc  
Terminal 2: GND

##### Connector (6 pole) ②

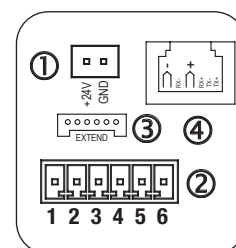
Terminal 1: DOOR button input N.O. for door opening  
Terminal 2: GS door open sensor input  
Terminal 3: NO normally open contact for door opening  
Terminal 4: NO normally open contact for door opening  
Terminal 5: EL "high energy" output for door opening  
Terminal 6: GND reference for GS, DOOR inputs and EL output

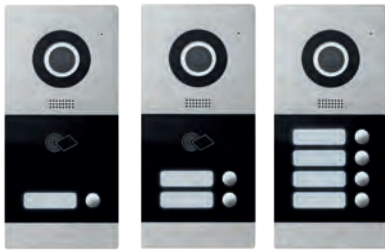
##### Extend connector ③

Auxiliary tower connection (art. VI-PEAUX or VI-PEAUX4)

##### RJ45 connector ④

LAN connection and standard 48Vdc PoE power supply





VIIP-PE1    VIIP-PE2    VIIP-PE4



**VIIP-PE1**

Single-call audio/video outdoor station created as a monobloc for recessed or wall-mounted installation. Power supply via 48Vdc PoE switch or 24Vdc power supply. Integrated MIFARE® card reader, name tag lighting with white LEDs with variable intensity according to the ambient brightness, 1 “power” entry point opening relay with input for installation of an auxiliary button, no.1 entry point opening relay with normally open contact. “Door open” sensor input. It is possible to install a maximum number of 3 outdoor stations per system. Dimensions (LxHxD): 100x215x45,7 mm.

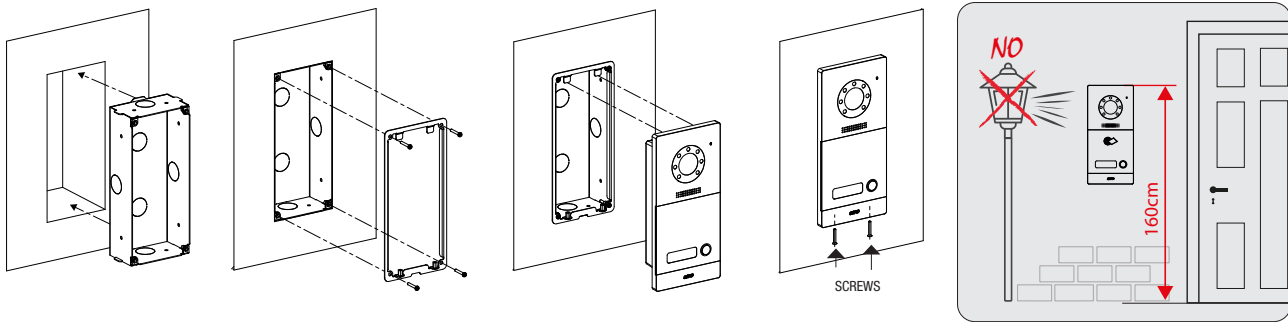
**VIIP-PE2**

Two-call audio/video outdoor station. Technical characteristics common to the VI2F-PE1 outdoor station.

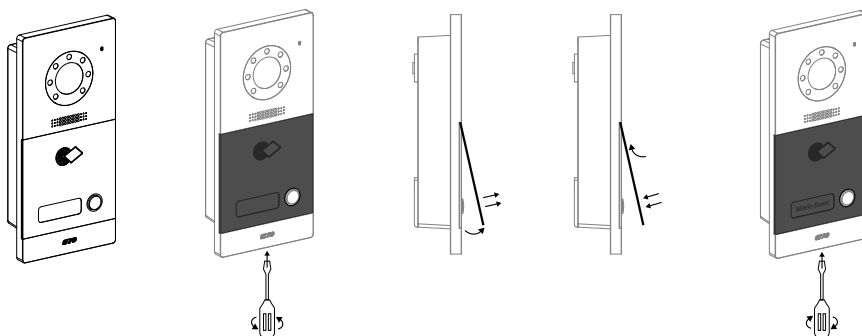
**VIIP-PE4**

Four-call audio/video outdoor station. Technical characteristics common to the VI2F-PE1 outdoor station except for the absence of the MIFARE® card reader.

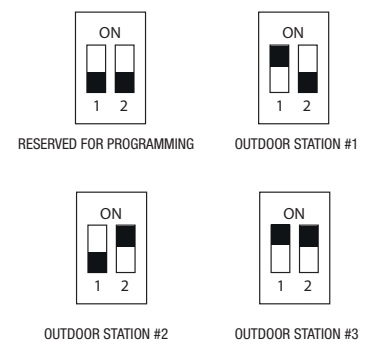
**INSTALLATION EXAMPLE**



**ACCESS TO NAME TAGS**



**DEVICE ADDRESSING**



**TECHNICAL INFORMATION**



**MIFARE® TRANSPONDER ACCESS CONTROL**

The outdoor stations of the DOMINA video intercom system use MIFARE® contactless technology, guaranteeing reliability also in the auxiliary function of access control. The system uses the unique code of the Cards without any need to write data inside them. This means that the same card can also be used with third party systems (not provided by AVE) offering customers a very wide range of services, accessed by the same card.



**WARNING:**

The gate managed by the Transponder Access Control is only the one with power contact.



# TECHNICAL CATALOGUE

## V44 EASY and V44 SMART VIDEO INTERCOM (COMMON ARTICLE)

### AUXILIARY OUTDOOR STATION - Cod. VI-PEAUX and VI-PEAUX4

The VI-PEAUX and VI-PEAUX4 devices is used to expand the number of call buttons of the outdoor station with a further 4 or 8 buttons. The device is common to the AVE DOMINA system V44 EASY 2-wire video door entry system and to the AVE DOMINA system V44 SMART IP video door entry system.

Possibility of adding up to 4 devices to increase the number of external calls to a maximum of 36.

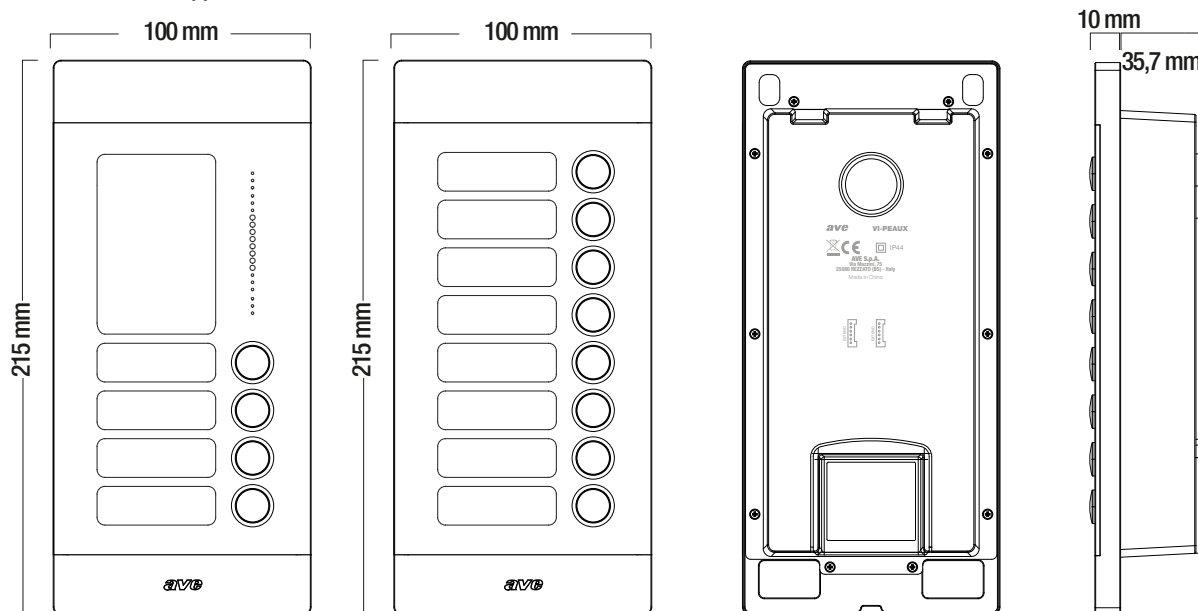
The devices are made in monobloc for recessed installation coupled to a "Master" station using the VI-BOX3 box and any rain shelter (item VI-RP2BOX3) or wall-mounted using the appropriate box (VI- 2BOX4).

The main features of the devices are:

- VI-PEAUX: version with 8 buttons;
- VI-PEAUX4: version with 4 buttons + customizable information space in the upper part;
- Name tag lighting with white LEDs;

*Note: the MIFARE® card reader is not integrated in the auxiliary external station*

*N.B.: the device cannot operate individually: correct operation requires the installation of a "MASTER" external station to which the device connects via the cable supplied.*



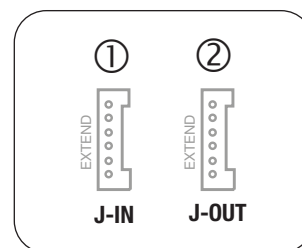
#### TECHNICAL CHARACTERISTICS

<b>Power supply</b>	5VDC da connettore flat	<b>Operating temperature</b>	From -10 °C to +55 °C
<b>Current consumption</b>	20 mA max @ 5 VDC	<b>Maximum altitude</b>	2000 m a.s.l.
<b>Dimensions (L x H x D)</b>	100 x 215 x 45.7 mm	<b>Installation</b>	Wall or flush installation
<b>Protrusion from the wall</b>	10 mm	<b>Protection rating</b>	IP20 (IP44 when installed)
<b>Environmental class as per EN 62820-1-1</b>	CLASS IV	<b>Name tags</b>	Removable from the front

#### Connections

The meaning of the device connection terminals is illustrated here below:

<b>Extend ①</b>	polarized connector for connection to the outdoor video intercom station or to a previous auxiliary station
<b>Extend ②</b>	polarized connector for connection to the next auxiliary station





VI-PEAUX

VI-PEAUX4

**VI-PEAUX**

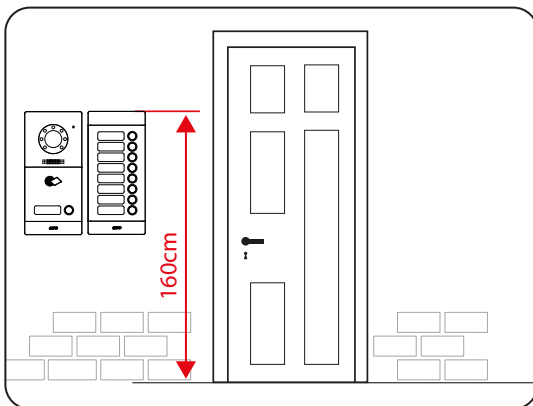
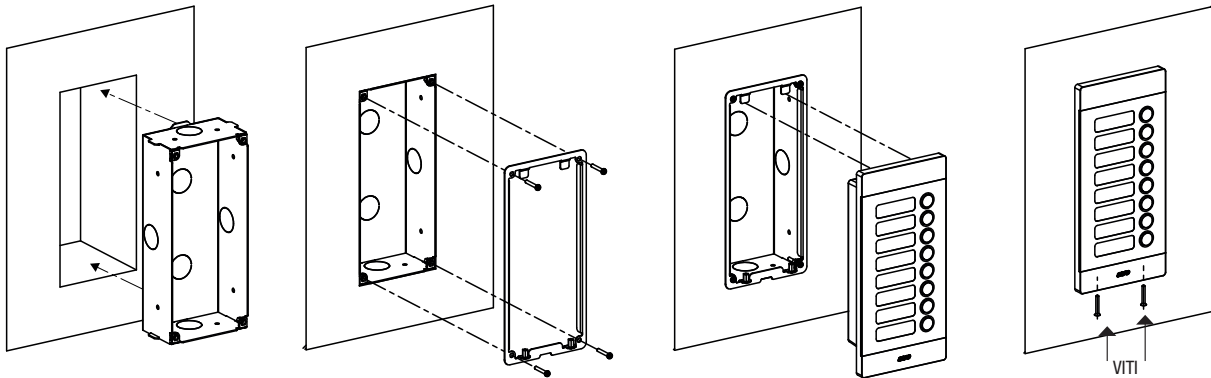
Auxiliary outdoor station with eight calls created as a monobloc for recessed or wall-mounted installation. The device is common to the ranges AVE V44 EASY (2-WIRE) and AVE V44SMART (IP). Dimensions (LxHxD): 100x215x45,7 mm.

**VI-PEAUX4**

Auxiliary outdoor station with four calls created as a monobloc for recessed or wall-mounted installation. A customisable information space is available in the top part. The device is common to the ranges AVE V44 EASY (2-WIRE) and AVE V44SMART (IP). Dimensions (LxHxD): 100x215x45,7 mm.

N.B.: the devices cannot operate on their own, it is necessary to install an external MASTER station to which the devices are connected by means of the cable supplied.

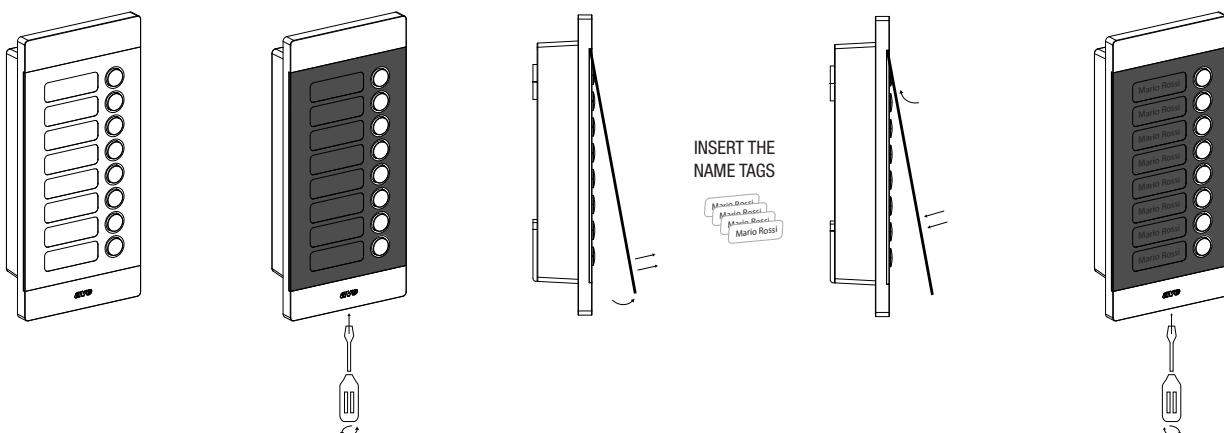
**INSTALLATION EXAMPLE**

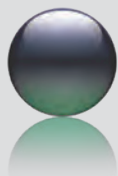


Art. VI-PEAUX can be installed outdoors following the assembly instructions. The suggested installation height of the product is: 1.6 m from the ground (upper side).

The device can be connected to the 1, 2, 4-button outdoor stations of the 2-wire (art. VI2F-PE1, VI2F-PE2, VI2F-PE4) and IP (art. VIIP-PE1, VIIP-PE2, VIIP-PE4) ranges through a connector located on the rear of the device. The connection cable between the two devices is supplied with the auxiliary push-button panel.

**ACCESS TO NAME TAGS**





# TECHNICAL CATALOGUE

## IP V44 SMART VIDEO INTERCOM

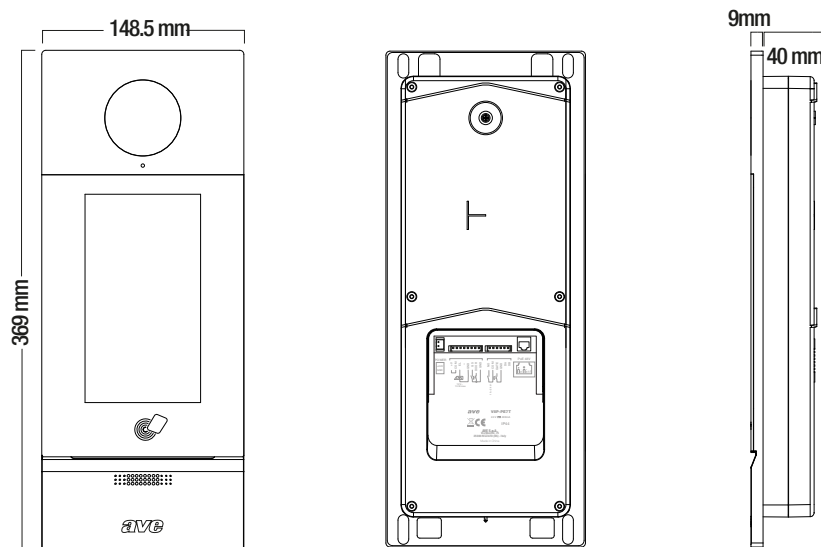
### VIDEO DOOR ENTRY STATION 7" TOUCH SCREEN DISPLAY - Cod. VIIP-PE7T

250

The VIIP-PE7T device is the audio/video Outdoor Station of the AVE DOMINA system V44 SMART IP video door entry system, equipped with a 7" Touch Screen display. It is made as a monobloc for recessed wall installation (art. VI-BOX5) and possible rain cover (art. VI-RPBOX5) or wall-mounted using the dedicated box (art. VI-BOX6). The main features of the device are:

- Outdoor video door entry station with 7" Touch Screen display.
- Integrated MIFARE® card reader;
- Access opening relay with "powered" outlet;
- Access opening relay with normally open contact;

*Note: up to 3 outdoor stations per system can be installed*



#### TECHNICAL CHARACTERISTICS

<b>Operating voltage</b>	24Vdc with power supply aux 48Vdc via PoE switch	<b>Maximum altitude</b>	2000 m a.s.l.
<b>Absorption during operation</b>	400 mA max @24 Vcc	<b>max number of devices that can be installed</b>	16 outdoor stations in "Building" mode 32 outdoor stations in "Villa" mode
<b>Absorption during stand-by</b>	300 mA max @24 Vcc	<b>Installation</b>	Recessed with VI-BOX5 box
<b>Absorption during operation</b>	220 mA max @48 Vcc PoE		Wall support with VI-BOX6 box
<b>Absorption during stand-by</b>	120 mA max @48 Vcc PoE	<b>Protection rating</b>	IP20 (IP44 when installed)
<b>Weight</b>	1480 g	<b>Environmental class as EN 62820-1-1</b>	CLASS IV
<b>Operating temperature</b>	Da -25°C a +55°C	<b>Dimensions (L x H x D)</b>	148,5 x 369 x 49 mm

#### CONNECTIONS

The meaning of the connection terminals and trimmer located at the rear of the device is illustrated here below. The arrangement of the connectors is shown in figure on the side.

<p><b>J11 connector (2 pole) ①</b></p> <p>Terminal 1: +24Vdc Terminal 2: GND</p>	<p><b>J5 connector (8 pole) ②</b></p> <p>Terminal 1: to be connected to terminal 2 (COM) Terminal 2: COM Terminal 3: EL – with power door opening output Terminal 4: not used Terminal 5: GND for door opening Terminal 6: GS – door open sensor input Terminal 7: DOOR – local door opening entrance Terminal 8: GND – reference for GS and DOOR inputs</p>	<p><b>J6 connector (6 pole) ③</b></p> <p>Terminal 1: NO contact for gate opening (release 2) Terminal 2: COM common NO contact for gate opening (release 2)</p> <p>Terminal 3: GATE Gate opening NO button input Terminal 4: GND reference for GATE input and RS485 interface Terminal 5: DA – RS485 serial Terminal 6: DB – RS485 serial</p>
--------------------------------------------------------------------------------------	------------------------------------------------------------------------------------------------------------------------------------------------------------------------------------------------------------------------------------------------------------------------------------------------------------------------------------------------------------------------------------------	-------------------------------------------------------------------------------------------------------------------------------------------------------------------------------------------------------------------------------------------------------------------------------------------------------------------------------------------------------------------





VIIP-PE7T


**VIIP-PE7T**

Outdoor audio/video building station monobloc device suitable for flush mounted or for wall mounting installation. Power supply via 48Vdc PoE switch or 24Vdc power supply. 7" touch screen display with the possibility of viewing a scrolling user list or a numeric keypad. No.1 "power" access opening relay with input for the installation of an auxiliary button, no.1 access opening relay with normally open contact. "Door open" sensor input. It is possible to install a maximum number of 3 outdoor stations per system. Dimensions (LxHxD): 148.5x369x49 mm

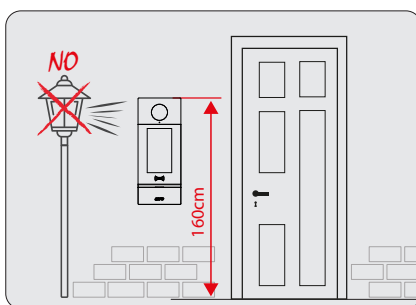
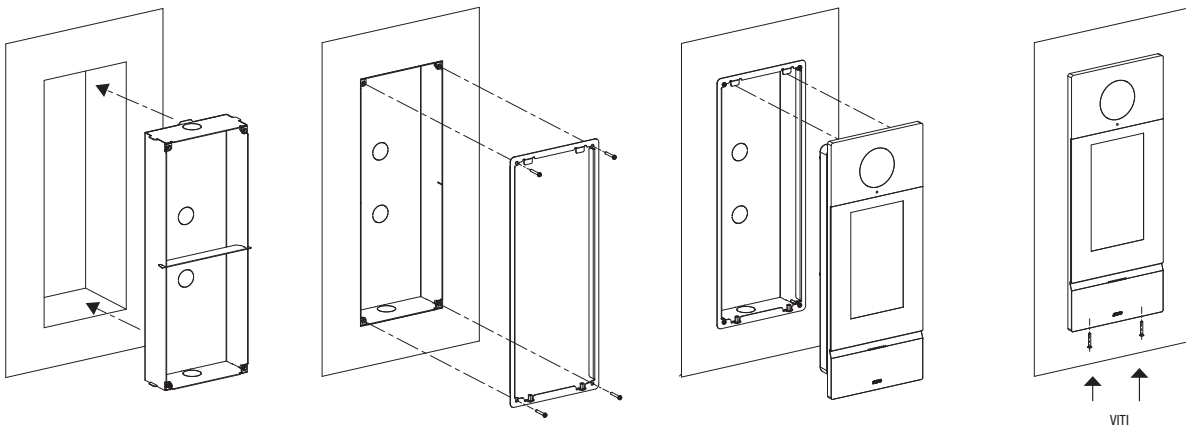
HOME AUTOMATION

HOTEL MANAGEMENT

VIDEO INTERCOM

ANTI INTRUSION

WIRING DIAGRAMS AND PRESCRIPTIONS

**INSTALLATION EXAMPLE**


Art. VIIP-PE7T can be installed outdoors following the assembly instructions. The suggested installation height of the product is: 1.6 m from the ground (upper side).

Provide for the installation of the product so that the camera of the device is not blinded by direct light sources (street lamps, headlights or direct sunlight) which would cause it to malfunction.

*Note: in conditions of low ambient light, the devices are equipped with white LEDs for correct illumination of the subject positioned at a maximum distance of 1m.*

**TECHNICAL INFORMATION**
**MIFARE® TRANSPONDER ACCESS CONTROL**

The outdoor stations of the DOMINA video intercom system use MIFARE® contactless technology, guaranteeing reliability also in the auxiliary function of access control. The system uses the unique code of the Cards without any need to write data inside them. This means that the same card can also be used with third party systems (not provided by AVE) offering customers a very wide range of services, accessed by the same card.



**WARNING:**  
The gate managed by the Transponder Access Control is only the one with power contact.



# TECHNICAL CATALOGUE IP V44 SMART VIDEO INTERCOM

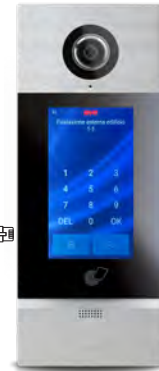
## OUTDOOR STATIONS INSTALLATION EXAMPLE

"Villa" model

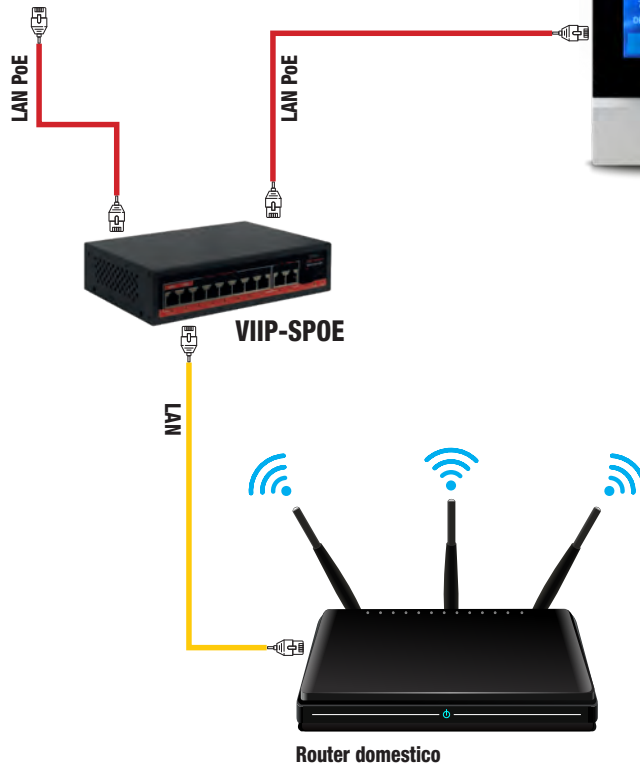


VIIP-PE1 VI-PEAUX

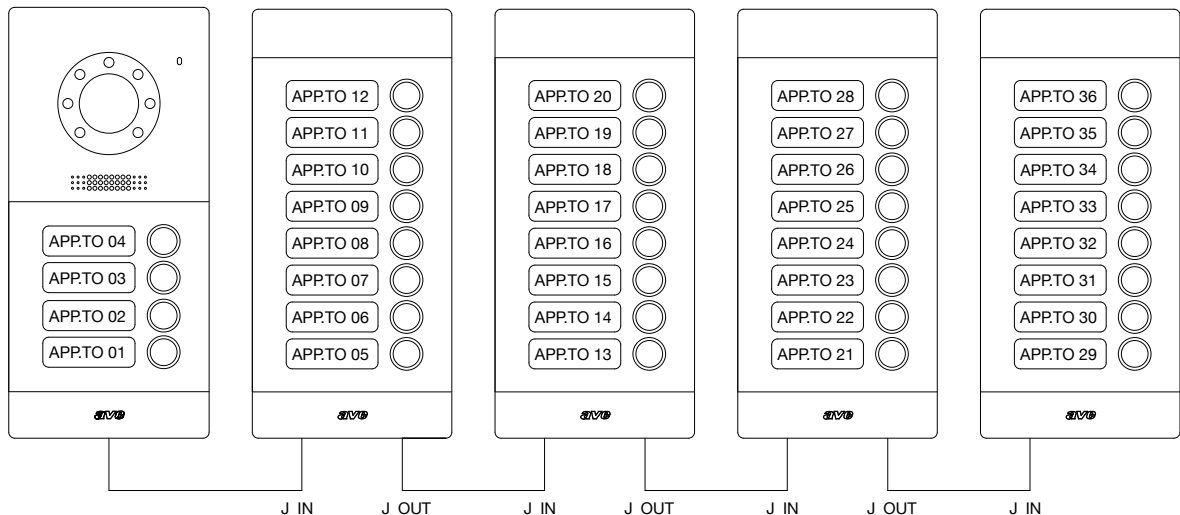
"Building" model



VIIP-PE7T



### Auxiliary outdoor station



## BOXES AND INSTALLATION ACCESSORIES



VI-BOX3



VI-BOX3C



VI-RPBOX3



VI-RP2BOX3



VI-RP3BOX3



VI-BOX4



VI-2BOX4



VI-BOX5



VI-BOX5C



VI-RPBOX5



VI-BOX6

### VI-BOX3

Flush-mounted metal box for outdoor stations VI2F-PE1, VI2F-PE2, VI2F-PE4, VIIP-PE1, VIIP-PE2, VIIP-PE4, VI-PEAUX and VI-PEAUX4. Dimensions (LxHxD): 118x216x53 mm.

### VI-BOX3C

Support frame for the installation of the VI2F-PE1, VI2F-PE2, VI2F-PE4, VIIP-PE1, VIIP-PE2, VIIP-PE4, VI-PEAUX and VI-PEAUX4 outdoor stations column on the VI-BOX3 recessed metal box. Dimensions (LxHxD): 96x208x16 mm.

### VI-RPBOX3

Rain cover equipped with support frame for the side-by-side installation of an outdoor station VI2F-PE1, VI2F-PE2, VI2F-PE4, VIIP-PE1, VIIP-PE2, VIIP-PE4 flush-mounted metal boxes VI-BOX3. Dimensions (LxHxD): 207x218x26 mm.

### VI-RP2BOX3

Rain cover equipped with support frame for the side-by-side installation of an outdoor station VI2F-PE1, VI2F-PE2, VI2F-PE4, VIIP-PE1, VIIP-PE2, VIIP-PE4 with the auxiliary column VI-PEAUX on no.2 flush-mounted metal boxes VI-BOX3. Dimensions (LxHxD): 207x218x26 mm.

### VI-RP3BOX3

Rain cover equipped with support frame for the side-by-side installation of an outdoor station VI2F-PE1, VI2F-PE2, VI2F-PE4, VIIP-PE1, VIIP-PE2, VIIP-PE4 with 2 auxiliary columns VI-PEAUX and VI-PEAUX4 on no.3 flush-mounted metal boxes VI-BOX3. Dimensions (LxHxD): 308x218x26 mm.

### VI-BOX4

Wall-mounted metal box with rain cover and frame for VI2F-PE1, VI2F-PE2, VI2F-PE4, VIIP-PE1, VIIP-PE2, VIIP-PE4, VI-PEAUX and VI-PEAUX4 outdoor stations. Dimensions (LxHxD): 106x218x70 mm.

### VI-2BOX4

Metal box for the side-by-side installation of an outdoor station VI2F-PE1, VI2F-PE2, VI2F-PE4, VIIP-PE1, VIIP-PE2, VIIP-PE4 and the auxiliary column VI-PEAUX with rain cover and frame. Dimensions (LxHxD): 207x218x70 mm.

### VI-BOX5

Flush-mounting metal box for the VI2F-PE7T and VIIP-PE7T outdoor stations. Dimensions (LxHxD): 141x364x53 mm

### VI-BOX5C

Frame for installation of the VI2F-PE7T and VIIP-PE7T outdoor stations on the VI-BOX5 flush-mounted metal box. Dimensions (LxHxD): 143x360x19 mm

### VI-RPBOX5

Rain cover equipped with support frame for the outdoor stations VI2F-PE7T and VIIP-PE7T installed on the VI-BOX5 flush-mounted metal box. Dimensions (LxHxD): 155x372x26 mm

### VI-BOX6

Wall-mounted metal box with rain cover and frame for the VI2F-PE7T and VIIP-PE7T outdoor stations. Dimensions (LxHxD): 155x372x79 mm

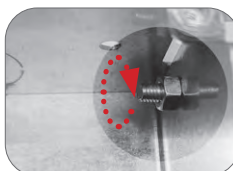
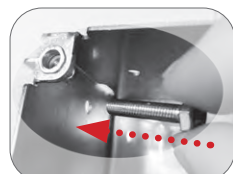
Note: for further accessories see the summary table at the end of the chapter

### Installation example with horizontally coupled boxes

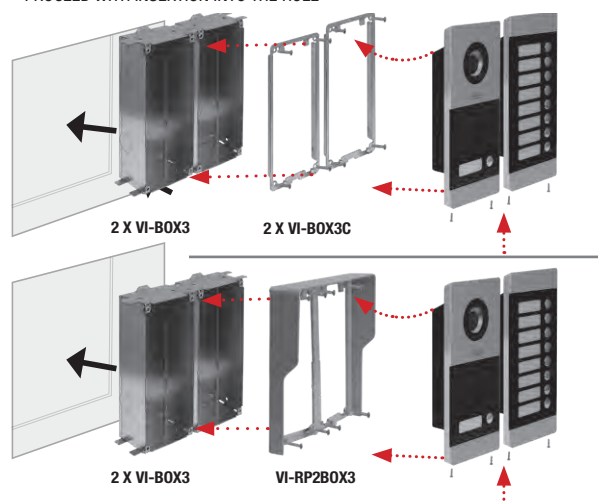
COUPLE THE TWO BOXES BY FITTING THE TWO EXTERNAL SLOTS



FIX THE WALLS USING THE SUPPLIED SCREW AND NUTS



PROCEED WITH INSERTION INTO THE HOLE





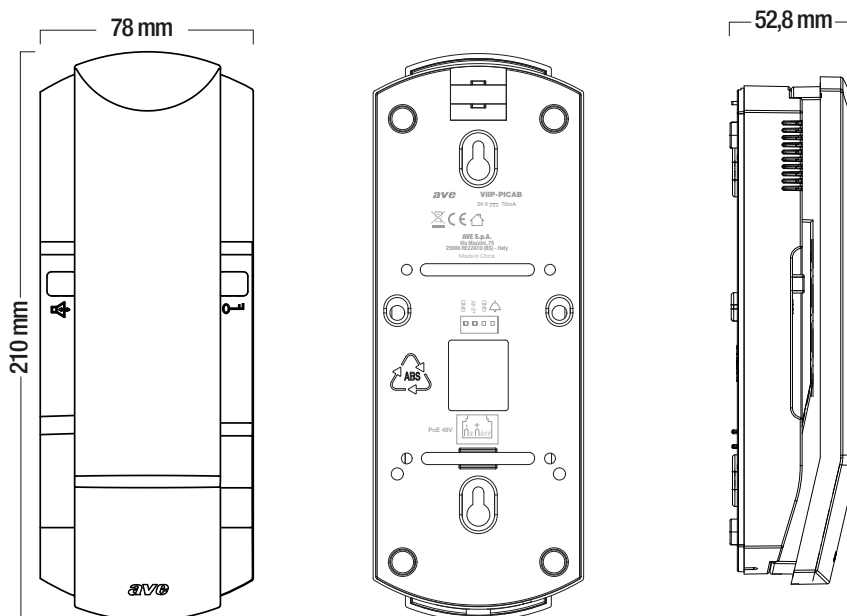
# TECHNICAL CATALOGUE

## IP V44 SMART VIDEO INTERCOM

### INTERCOM HANDSET - Cod. VIIP-PICAB

254

The VIIP-PICAB device is an audio indoor station of the AVE DOMINA system V44 smart IP video door entry system, whose functions and characteristics are: • Power supply via PoE switch or 24Vdc • Call answering; • Management of outside door auxiliary bell • Management of no.3 entry points, two on board the outdoor station and one optional on the VIIP-RELAY auxiliary relay (not supplied).



#### Technical Characteristics

<b>Maximum operating voltage</b>	24V <sub>DC</sub> with aux powr supply 48V <sub>DC</sub> via PoE switch	<b>Operating temperature</b>	From -10 °C to +55 °C
		<b>Maximum altitude</b>	2000 m a.s.l.
<b>Absorption during operation</b>	70 mA max @24 V <sub>CC</sub> 40 mA max @48 V <sub>DC</sub> PoE	<b>Max number of devices that can be installed</b>	Max 4 per apartment
		<b>Weight</b>	246 g
<b>Absorption during stand-by</b>	35 mA max @ 24 V <sub>CC</sub> 25 mA max @48 V <sub>DC</sub> PoE	<b>Installation</b>	Vertical, on boxes 2501 e 2502
		<b>Environmental class as per EN 62820-1-1</b>	CLASS III
<b>Dimensions (LxHxD)</b>	78x210x52.8 mm	<b>Protection rating</b>	IP20 (IP30D when installed)

#### Connections

The meaning of the connection plugs and dip-switches located at the rear of the device (fig. A) is illustrated here below:

##### ① 4-pole polarised male connector (power supply 24V<sub>DC</sub>) and door bell input

- Female connector complete with 10 cm cables provided with the supply
- GND terminal: GND power supply 24 V<sub>DC</sub>
- Terminal +24V: + 24 V<sub>CC</sub> power supply
- GND terminal: reference for the door bell input
- Terminal : Door bell input

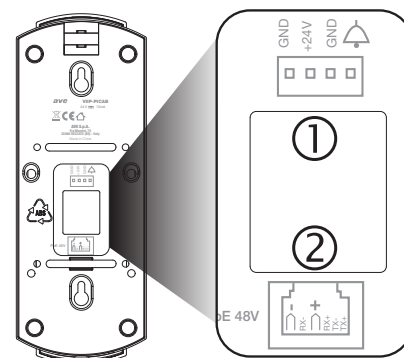
*Note: use a potential-free NA button with reinforced insulation against hazardous voltages.*

##### ② IP grid interface

Shielded RJ45 connector for 48 V<sub>DC</sub> standard PoE

#### IP grid interface

Shielded RJ45 connector for standard 48 V<sub>DC</sub> PoE

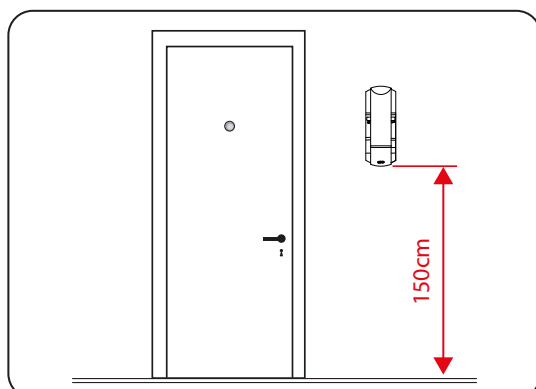
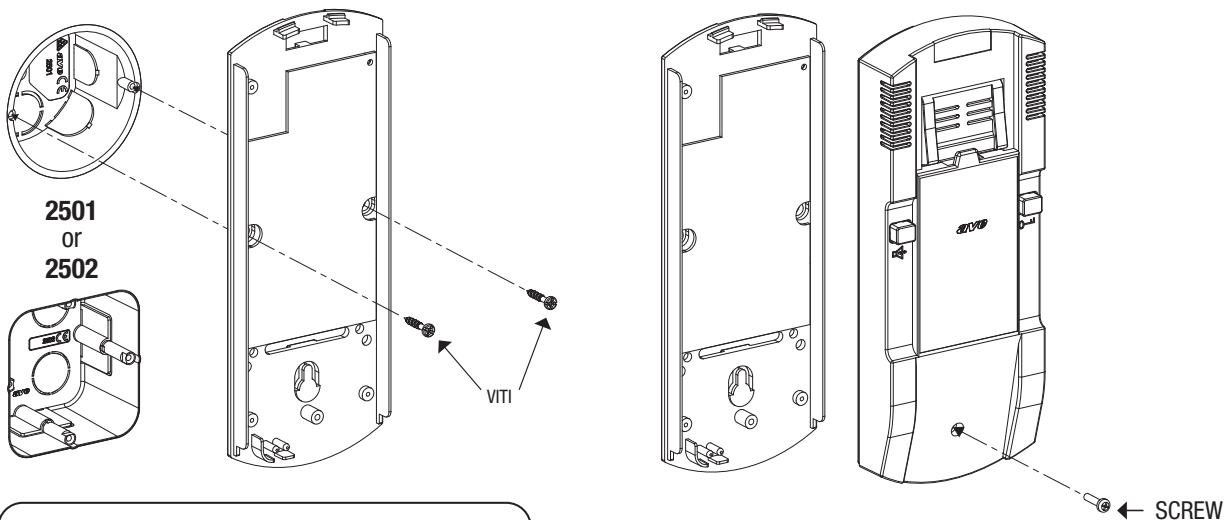



**VIIP-PICAB**

Intercom handset for wall installation on 1-2 module boxes, round or square version. Power supply via 48Vdc PoE switch or 24Vdc power supply. It is equipped with no.2 keys to control the main functions: release of the “power” electric lock and normally open contact closure. It is used to adjust the volume and the type of ringtone. Dimensions (LxHxD): 78x210x52.8 mm.

**VIIP-PICAB**
**Summary button functions**

Button	Duration	Within 60 s from power-on	Standby	Standby handset off the hook	Call in course	Conversation in course
	Short	Adjustment ringtone volume			Adjustment ringtone volume	Adjustment volume audio
	Long	Reset	Output 3 (aux. relay)		Output 3 (aux. relay)	Output 3 (aux. relay)
	Short	Selection ringtone tone	Output 1 (EL)		Output 1 (EL)	Output 1 (EL)
	Long		Output 2 (NO contact)	Call concierge	Output 2 (NO contact)	Output 2 (NO contact)

**INSTALLATION EXAMPLE**


Art. VIIP-PICAB must be installed in closed rooms, within the indicated temperature limits and following the assembly instructions. The suggested installation height of the product is: center of the camera 1.5 m from the ground.





# TECHNICAL CATALOGUE

## IP V44 SMART VIDEO INTERCOM

### INDOOR STATION WITH 4.3" DISPLAY - Cod. VIIP-PIT4B

256

The VIIP-PIT4B device is an internal audio/video station of the AVE system V44 EASY IP video door entry system. The functions and characteristics are as follows:

#### Audio/Video/Buttons:

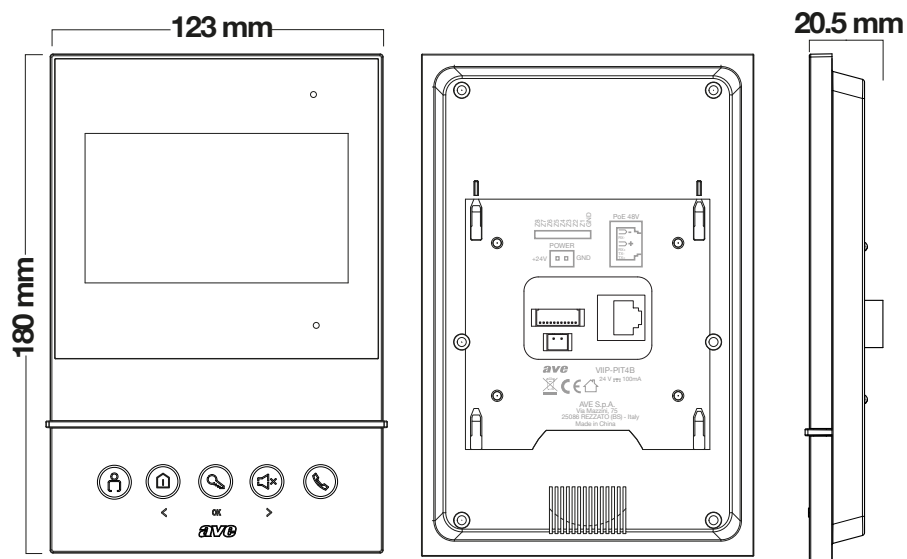
- 4.3" horizontal display
- Hands-free
- Touch buttons: entry point opening, ringtone silencing, camera viewing.

#### Warnings:

- Ringtone silencing active;
- Door open.

#### Video intercom functions:

- Call answering
- Viewing of analog cameras via the appropriate VI2F-CAM interface (not supplied)
- Management of outside door auxiliary bell
- Management of no.3 entry points, two on board the outdoor station and one optional via auxiliary relay VI2F-RELAY (not supplied)
- Intercom call between devices of the same or other apartments.



#### TECHNICAL CHARACTERISTICS

<b>Maximum operating voltage</b>	24V <sub>DC</sub> with auxiliary power supply 48V <sub>DC</sub> via PoE switch	<b>Installation</b>	on recessed box with bracket supplied
<b>Absorption during operation</b>	100 mA max @24 Vdc	<b>Display</b>	4.3" LCD - 480x272 resolution
<b>Absorption during stand-by</b>	60 mA max @24 Vdc	<b>Protection rating</b>	IP20 (IP40 when installed)
<b>Absorption during operation</b>	60 mA max @48 Vdc PoE	<b>Environmental class according to EN 62820-1-1</b>	CLASS III
<b>Absorption during stand-by</b>	40 mA max @48 Vdc PoE	<b>Maximum number of devices that can be installed</b>	Max 4 devices for each apartment
<b>Dimensions (L x H x D)</b>	123 x 180 x 20.5 mm	<b>Maximum altitude</b>	2000 m a.s.l.
<b>Operating temperature</b>	From -10 °C to +55 °C	<b>Weight</b>	290 g

#### CONNECTIONS

The meaning of the connection terminals and dip-switches located on the rear of the device is illustrated here below

#### Data network connector (PoE) ①

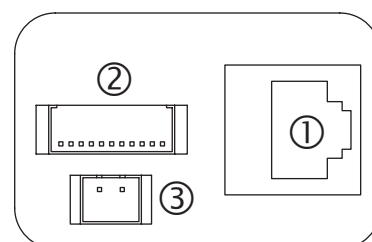
- Shielded RJ45 connector for 48 Vdc standard PoE

#### Input connector ②

- GND connector: GND reference of inputs
- Connector Z8: doorbell input outside door

#### 24Vdc power connector ③

- Connector 1 DC+: 24Vdc power supply terminal positive
- Connector 2 GND: GND





VIIP-PIT4B

- IP
- 4,3"
- Soft Touch
- PoE
- INTERCOM

**VIIP-PIT4B**

Hands-free audio/video indoor station with 4.3" colour display with 480x272 pixel resolution. Power supply via 48Vdc PoE switch or 24Vdc power supply. Wall-mounted installation on vertical 3-module box using the dedicated bracket supplied with the device. It has no.5 soft touch buttons for the management of: answering incoming calls, management of 3 entry points (two on the outdoor station and one optional on the VI2F-RELAY auxiliary relay - not supplied), silencing of the internal bell with LED for active exclusion signalling, camera monitoring of the outdoor station and possible analog cameras connected to the system through a dedicated VI2F-CAM interface (not supplied). It also allows: intercom calls, floor bell management, door open alarm management. Dimensions (LxHxD): 123x180x20.5 mm.

HOME AUTOMATION

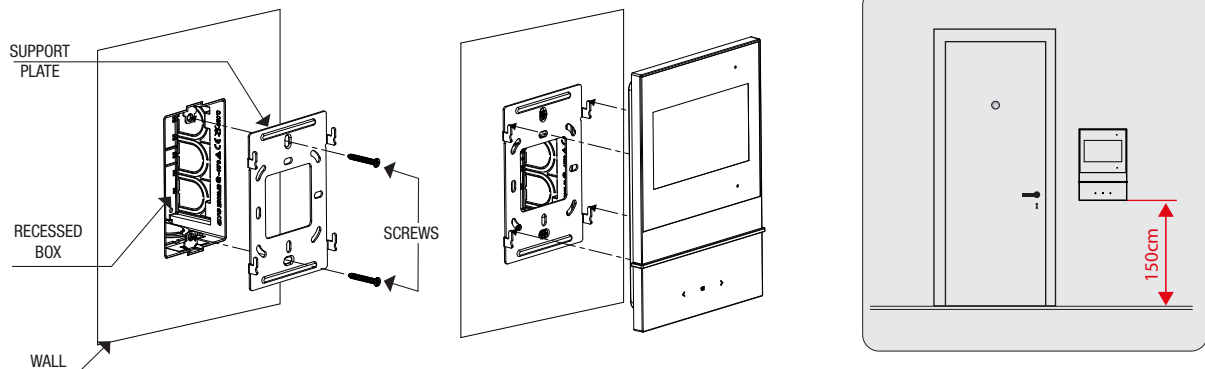
HOTEL MANAGEMENT

VIDEO INTERCOM

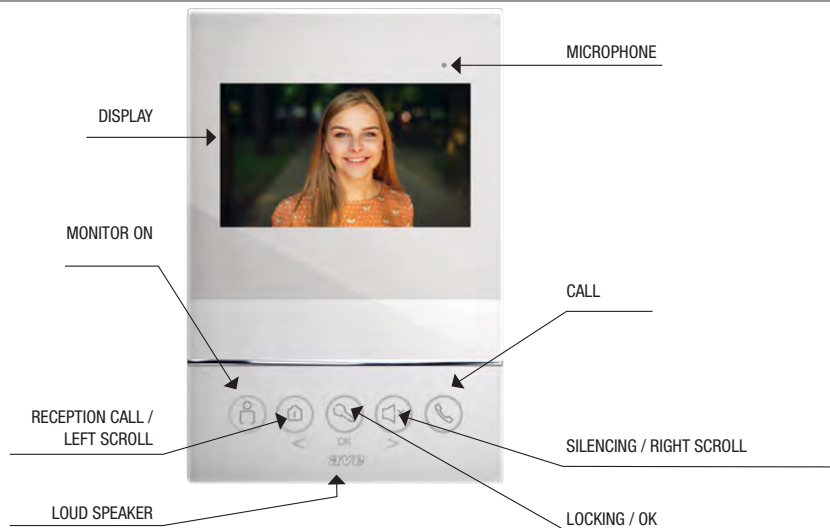
ANTI INTRUSION

WIRING DIAGRAMS AND PRESCRIPTIONS

**INSTALLATION EXAMPLE**



**MEANING BUTTONS**



<p><b>MONITOR:</b> opens the audio-video connection with outdoor station #1; press the button again to display the other outdoor stations or any cameras.</p>	<p><b>CONCIERGE CALL (if any) / LEFT SCROLL:</b> an indoor station becomes a concierge when it is assigned the address 200. When the call is active, press the button to unlock the auxiliary relay (optional).</p>	<p><b>LOCK / OK:</b> no function in Stand-by. Opening the gates of the currently operating displayed station. Short press: opening gate #1 Press &gt; 3 s: opening gate #2</p>	<p><b>SILENCING / RIGHT SCROLL:</b> press briefly to activate/deactivate the ringtone silencing (the LED will turn red when the ringtone is active). Press and hold to propagate the activation/deactivation of the silencing to any other slave stations in the same apartment.</p>	<p><b>CALL:</b> press to access the communication interface and to answer an incoming call.</p>



# TECHNICAL CATALOGUE

## IP V44 SMART VIDEO INTERCOM

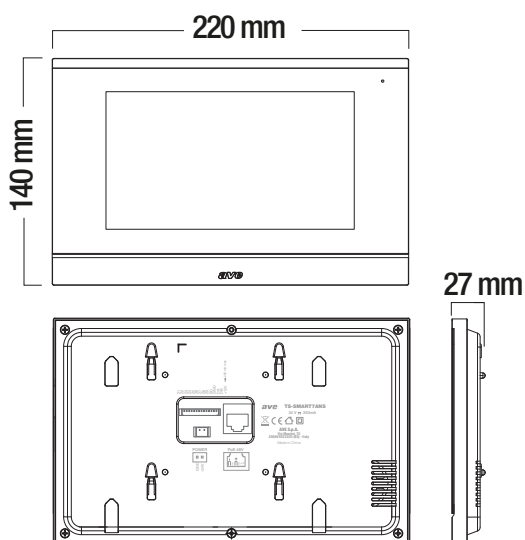
### HANDS-FREE INDOOR STATION WITH 7" TOUCH SCREEN DISPLAY - Cod. TS-SMART7...

The TS-SMART7xx supervisor is an audio/video indoor station of the AVE DOMINA Video Intercom IP V44 SMART system with 7" touch screen monitor. The device allows for the management of the following systems:

**Home automation:** by means of a home automation supervisor with integrated web-server module, it is possible to manage all the home automation functions of the system (lights, shutters, temperature control, etc...);

**Anti-intrusion:** direct interface with the control units of the AVE AF927xx range (activation, deactivation, partialisation, zone status check and alarm signalling);

**Video intercom:** V44 SMART system (receive calls from the video intercom system and manage the relays on board the outdoor stations). It is also possible to view images from IP cameras with the same device. The device also allows for video door phone calls to be answered remotely using the AVE Video V44 App available for iOS and Android operating systems.

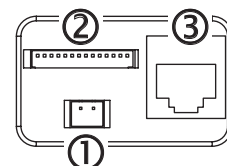


#### Technical Characteristics

Power supply	Power supply +24V <sub>DC</sub> or PoE 48V <sub>DC</sub>
Current consumption at rest	200 mA@ 24V <sub>DC</sub> 60 mA@ 48V <sub>DC</sub>
Current consumption in operation	350 mA@ 24V <sub>DC</sub> 180 mA@ 48V <sub>DC</sub>
Weight	580 g
Display	7" touch screen display - 1024 x 600 pixels
Protection rating	IP20 (IP30 installed)
Data connection	RJ45 or Wi-Fi card (integrated)
Operating temperatures	-10 °C – 55 °C
SD card	2 to 32 GB
Dimensions (WxHxD)	220 x 140 x 27 mm
Maximum number of devices that can be installed	4 for apartment

#### CONNECTIONS

The meaning of the connection terminals and the dip-switch located at the rear of the device is illustrated here below:



#### POWER connector (2 pole) ①:

Terminal 1: +24Vdc  
Terminal 2: GND

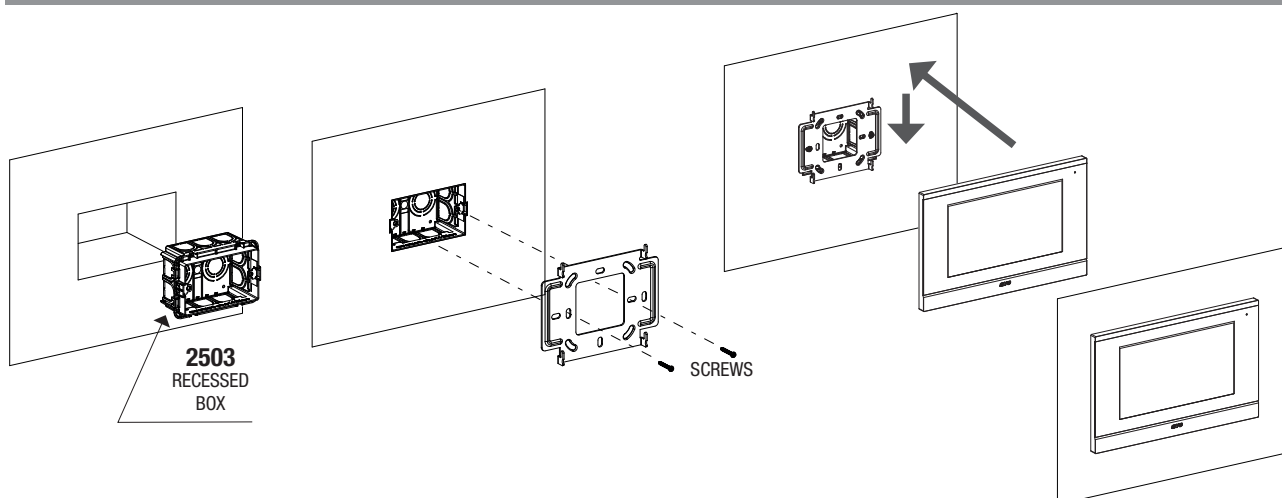
#### Input connector ②

GND: GND reference  
Z8: floor bell input  
To date, the other inputs of the connector are not in use.

#### RJ45 connector ③

Shielded RJ45 connector for 48 Vdc standard PoE

#### INSTALLATION EXAMPLE

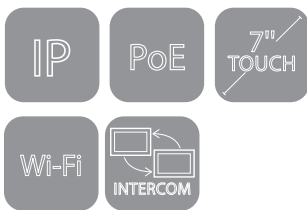




TS-SMART7ALS



TS-SMART7ANS



**TS-SMART7ALS**

Monitor with 7" colour touchscreen display in 16:9 format. Structure made of glass and aluminium. Input for floor button doorbell, ring mute function, unanswered call log, image capture of incoming call. Door open alarm. "Doctor's studio" function with input display. Wall-mounted installation on 3-module box installed horizontally using the bracket supplied with the device.

Power supply via 24V<sub>DC</sub> or 48V<sub>DC</sub> PoE switch.

Allows you to view and control:

- Domina SMART Home automation (via article 53AB-WBS)
- Related civil series devices (through article 53AB-WBS)
- Direct burglar alarm control units AF927PLUS - AF927PLUSTC
- V44 SMART video intercom system
- IP cameras (request a list of compatible cameras from your local technical sales representative or Inteam technical support)

The device enables remote answering of an incoming video intercom call via the AVE V44 REMOTE APP available for iOS and Android operating systems. Natural satin finish aluminium colour. Dimensions 220x140x27 mm.

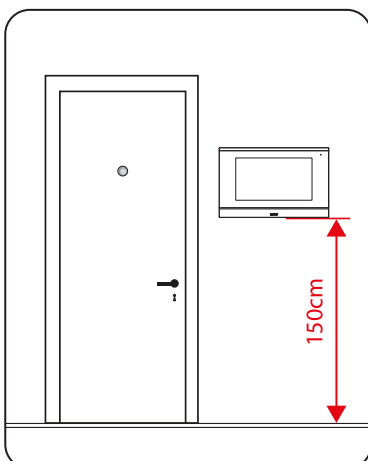
**TS-SMART7ANS**

As above in satin burnished aluminium colour.

THE INDOOR STATION HAS TWO DISTINCT NETWORK CARDS: THE FIRST, ACCESSIBLE VIA THE RJ45 ETHERNET CONNECTOR, IS USED FOR COMMUNICATION WITH THE WIRED BACKBONE OF THE VIDEO DOOR ENTRY SYSTEM; THE SECOND, OF THE WI-FI TYPE, IS RESERVED FOR THE DATA CONNECTION INSIDE THE APARTMENT THROUGH THE RELATIVE DOMESTIC ROUTER TO WHICH TO CONNECT THE HOME AUTOMATION WEB-SERVER, THE ANTI-INTRUSION CONTROL UNIT AND THE INTERNET CONNECTION TO ACCESS THE CLOUD.



Management, via the dedicated AVE VIDEO V44 APP, of the remote answer to video door phone calls





# TECHNICAL CATALOGUE

## IP V44 SMART VIDEO INTERCOM

### HANDS-FREE INDOOR STATION WITH 10" TOUCH SCREEN DISPLAY - Cod. TS-SMART10...

260

The TS-SMART10xx supervisor is an audio/video indoor station of the AVE DOMINA Video Intercom IP V44 SMART system with 10" touch screen monitor. It is equipped with a LED bar RGB that can be set directly by the customer.

The device allows for the management of the following systems:

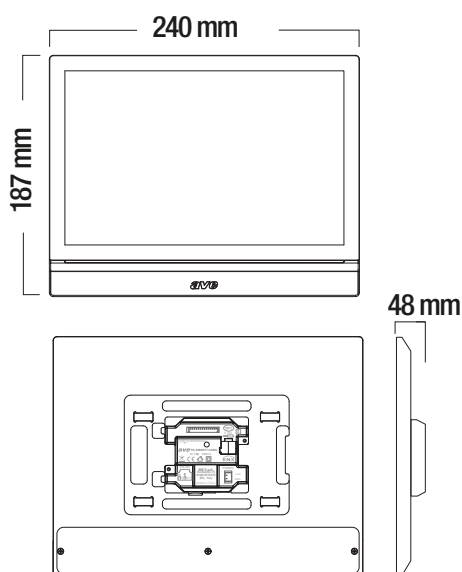
**Home Automation:** by means of a home automation supervisor with integrated web-server module, it is possible to manage all the home automation functions of the system (lights, shutters, temperature control, etc...);

**Anti-intrusion:** direct interface with the control units of the AVE AF927xx range (activation, deactivation, partialisation, zone status check and alarm signalling). When there is an active alarm, the LED bar turns red and the device emits an acoustic signal.

**Video intercom:** V44 SMART system (receive calls from the video intercom system and manage the relays on board the outdoor stations).

**KNX:** management and sending of KNX via the on-board interface of the device.

It is also possible to view images from IP cameras with the same device. The device also allows for video door phone calls to be answered remotely using the AVE Video V44 App available for iOS and Android operating systems.



#### Technical Characteristics

<b>Power supply</b>	Power supply +24V <sub>DC</sub> or PoE 48V <sub>DC</sub>
<b>Current consumption at rest</b>	200 mA@ 24V <sub>DC</sub> 110 mA@ 48V <sub>DC</sub>
<b>Current consumption in operation</b>	350 mA@ 24V <sub>DC</sub> 220 mA@ 48V <sub>DC</sub>
<b>Weight</b>	800 g
<b>Display</b>	10" touch screen display - 1280 x 800 pixels
<b>Protection rating</b>	IP20 (IP30 installed)
<b>Data connection</b>	RJ45 or Wi-Fi card (integrated)
<b>Connector for KNX Connection</b>	KNX+ terminal: BUS positive KNX- terminal: GND
<b>Operating temperatures</b>	-10 °C – 55 °C
<b>SD card</b>	2 to 32 GB
<b>Dimensions (WxHxD)</b>	240 x 187 x 48 mm
<b>Maximum number of devices that can be installed</b>	4 for apartment

#### CONNECTIONS

The meaning of the connection terminals and the dip-switch located at the rear of the device is illustrated here below:

##### POWER connector (2 pole) ①:

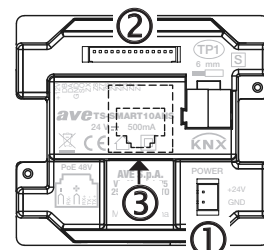
Terminal 1: +24Vdc  
Terminal 2: GND

##### Input connector ②

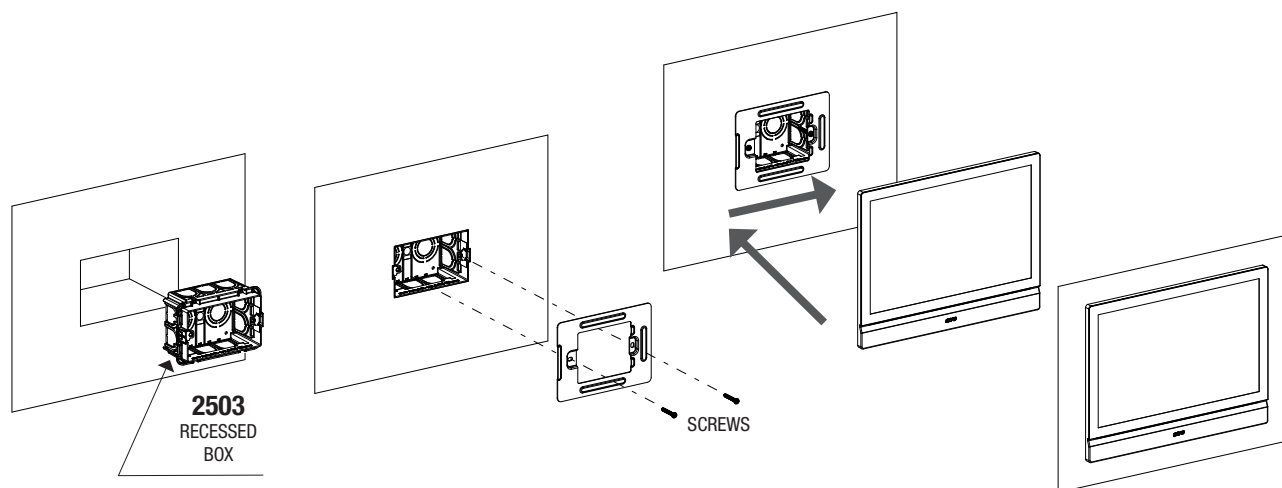
GND: GND reference  
Z8: floor bell input  
To date, the other inputs of the connector are not in use.

##### RJ45 connector ③

LAN connection and power supply standard 48Vdc PoE



#### INSTALLATION EXAMPLE



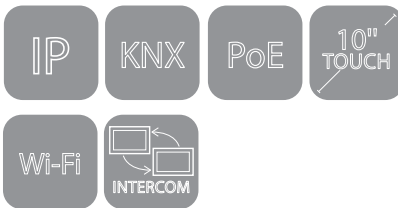




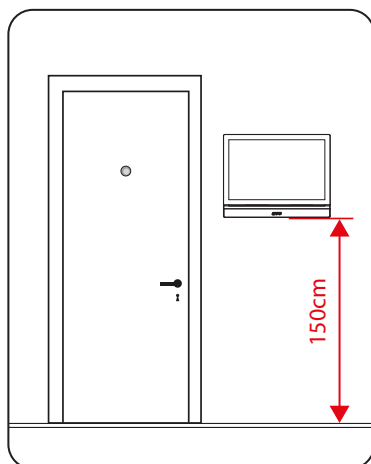
TS-SMART10ALS



TS-SMART10ANS



Management, via the dedicated AVE VIDEO V44 APP, of the remote answer to video door phone calls



### TS-SMART10ALS

Monitor with 10" colour touchscreen display in 16:9 format. Structure made of glass and aluminium. Power supply via 24Vdc or 48Vdc PoE switch.

Input for floor button doorbell, ring mute function, unanswered call log, image capture of incoming call. Door open alarm. "Doctor's studio" function with input display. Fitted with LED strip for ambient light with user-selectable colours. Recessed installation in 3-module box installed horizontally using the bracket supplied with the device.

Allows you to view and control:

- Domina SMART Home automation (via article 53AB-WBS)
- Related civil series devices (through article 53AB-WBS)
- Direct burglar alarm control units AF927PLUS - AF927PLUSTC
- V44 SMART video intercom system
- IP cameras (request a list of compatible cameras from your local technical sales representative or Inteam technical support)
- Compatible with KNX protocol

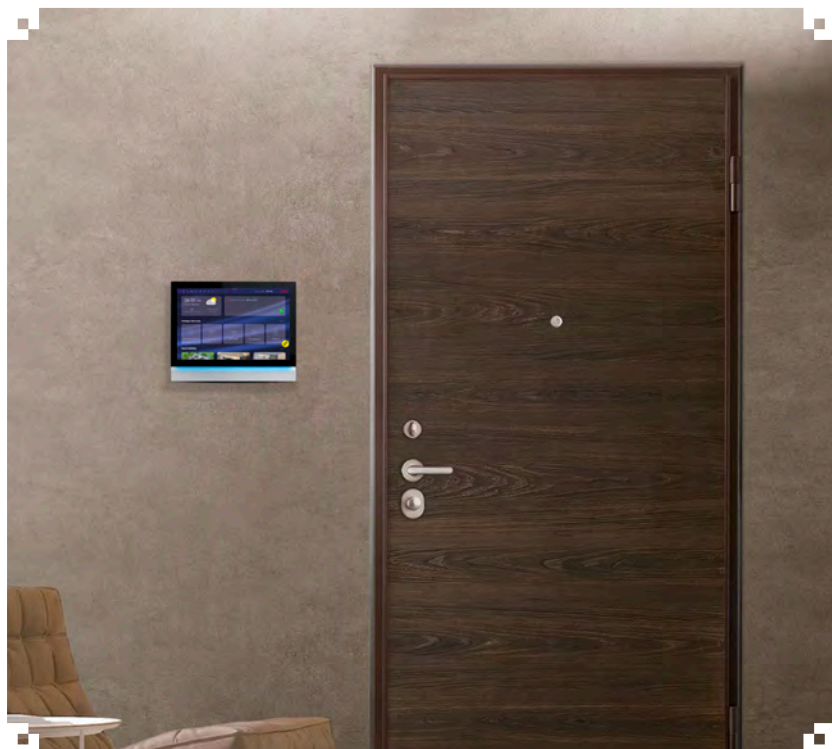
The device enables remote answering of an incoming video intercom call via the AVE V44 REMOTE APP available for iOS and Android operating systems. Natural satin finish aluminium colour. Dimensions 240x187x50 mm.

### TS-SMART710ANS

As above in satin burnished aluminium colour.

THE INDOOR STATION HAS TWO DISTINCT NETWORK CARDS: THE FIRST, ACCESSIBLE VIA THE RJ45 ETHERNET CONNECTOR, IS USED FOR COMMUNICATION WITH THE WIRED BACKBONE OF THE VIDEO DOOR ENTRY SYSTEM; THE SECOND, OF THE WI-FI TYPE, IS RESERVED FOR THE DATA CONNECTION INSIDE THE APARTMENT THROUGH THE RELATIVE DOMESTIC ROUTER TO WHICH TO CONNECT THE HOME AUTOMATION WEB-SERVER, THE ANTI-INTRUSION CONTROL UNIT AND THE INTERNET CONNECTION TO ACCESS THE CLOUD.

CONTACT SUPPORT FOR INFORMATION ON INTEGRATION WITH THE KNX SYSTEM





# TECHNICAL CATALOGUE

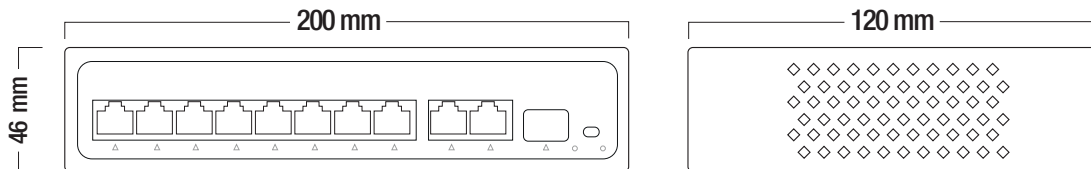
## IP V44 SMART VIDEO INTERCOM

### ACCESSORIES

262

#### VIIP-SPOE

The device is a network switch that applies Power over Ethernet technology. With a PoE network switch, network connectivity and the power to power powered devices can both be realized directly on the Ethernet cable.

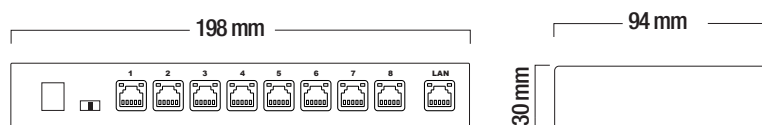


#### Caratteristiche tecniche

Power supply	100 ÷ 230 Vac	No. of outgoing ports	8x10/100/1000 Mbps RJ45
Rated frequency	50 ÷ 60 Hz	No. of uplink ports	2x10/100/1000 Mbps RJ45
Max. absorption	< 120 W	No. of fiber optic ports	1x10x100 Mbps SFP Port
Single door absorption	30W	Power priority mechanism	
Power output	120 W totali	Operating temperature	Da -15°C a +55°C
Communication protocol	IEEE 802.3/IEEE802.3u/x IEEE 802.3af/at	Maximum altitude	2000 m a.s.l.
Dimensions (L x H x D)	200 x 46 x 120 mm	S/V connector	S: standard 100 m V:VLAN mode
Weight	1,8 Kg		

#### VI-NET008

The VI-NET008 device is an Ethernet network switch with eight 10/100 ports and 1 port for the video intercom backbone. The installation of the device is simple and requires no software or configuration. Assembly is of the desktop or DIN guide type.



Structure	12 DIN modules (LxHxP) 200x95x30 mm	Rated voltage: 12-24Vcc
Protection rating	IP30	Power supply from SELV source
		Permitted variation: 10,8 Vcc ÷ 13,2 Vcc 21,6 Vcc ÷ 26,4 Vcc
		Absorption @ 12Vcc: 120 mA



**VIIP-SPOE**

8 + 2 port PoE switch - 230Vac power supply - 52V / 2.3A 120W total output (max 30W per port) - 10/100 / 1000Mbps - Uplink port for connecting multiple devices, SFP port. Fanless, zero noise design ideal for offices or workspaces. Dimensions (LxHxP) 200x46x120 mm

**VIIP-SPOE**



**VI-NET008**



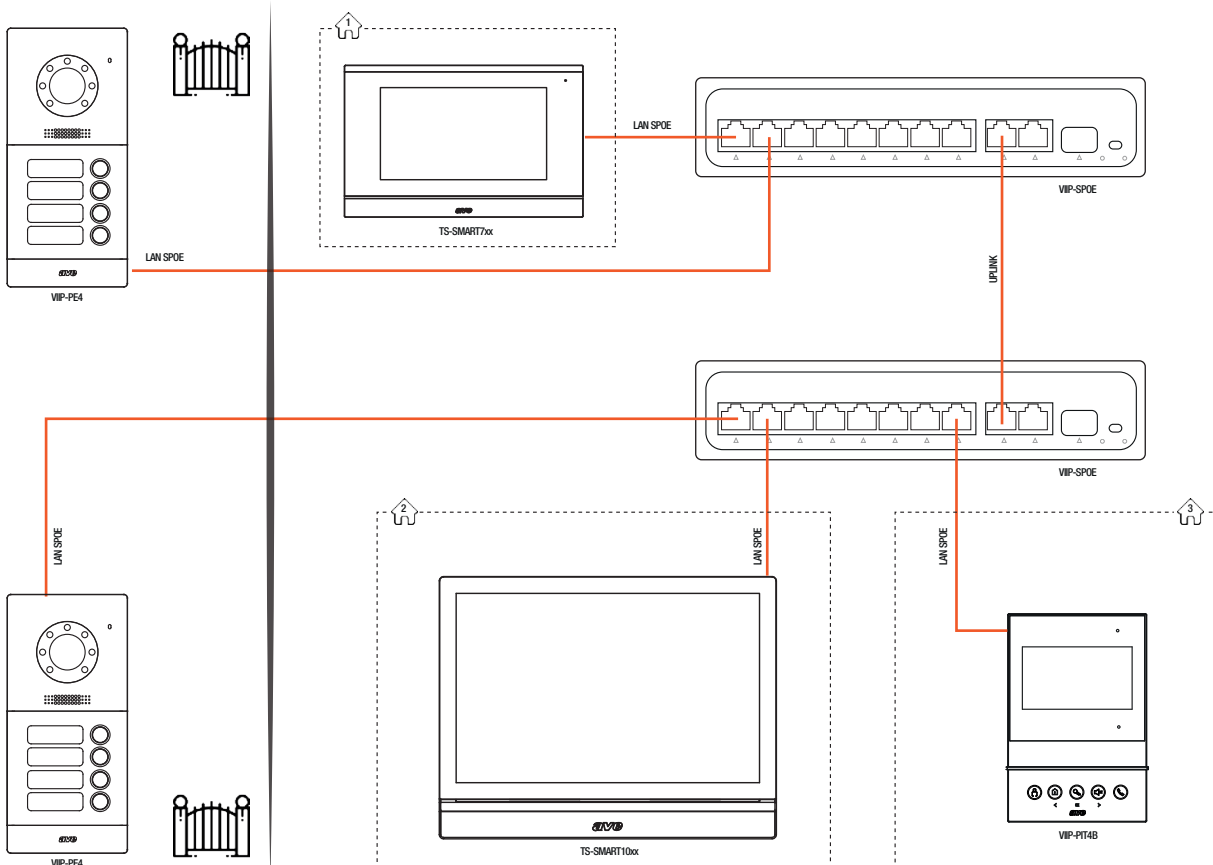
**VI-NET008**

Ethernet network switch with eight 10/100 ports and 1 port for the video intercom backbone. Ideal for Small Business Network, simple installation no software or configuration required, support for desktop assembly or DIN 12 Module guide.

Fan-free design, zero noise, ideal for offices or workspaces

- Power supply: 12Vdc (Max. 0.5A)
- Ambient Operating Temperature: -25°C to 55°C

**INSTALLATION EXAMPLE**

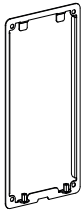
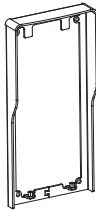
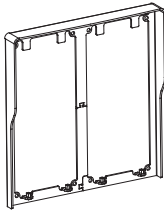
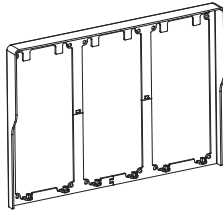
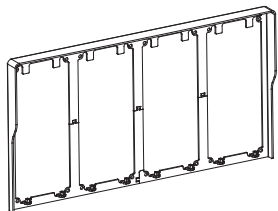
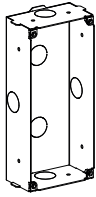
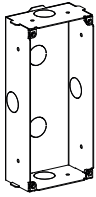
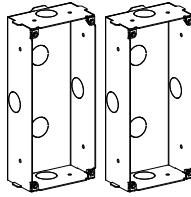
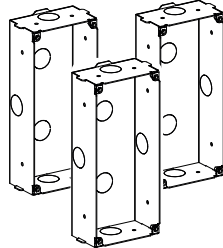
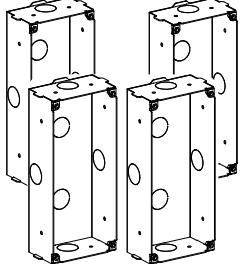







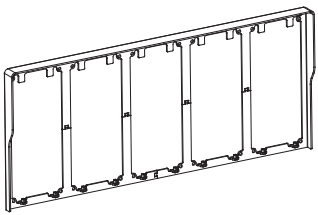
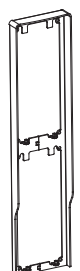

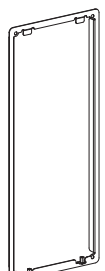
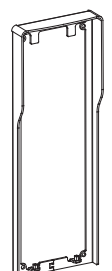
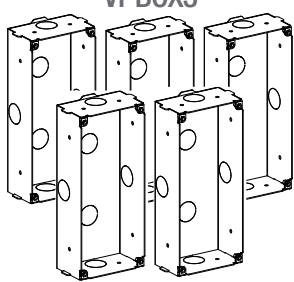
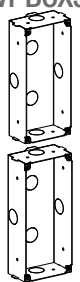
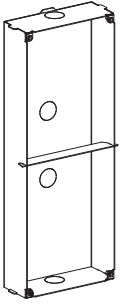
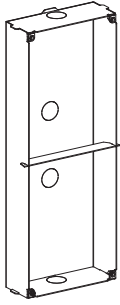






# TECHNICAL CATALOGUE

## VIDEOCITOFONIA

### TABLE OF COUPLING BOXES - BRACKETS - CANOPIES

	VI-BOX3C	VI-RPBOX3	VI-RP2BOX3	VI-RP3BOX3	VI-RP4BOX3
Design					
Description	Backplates for outdoor station installation of mod. "Villa"	Rain canopy (with integrated backplate) for installation of #1 Outdoor station mod. "Villa"	Rain canopy (with integrated bracket) for installation of #2 Outdoor stations mod. "Villa"	Rain Canopy (with integrated bracket) for installation of #3 Outdoor stations mod. "Villa"	Rain canopy (with integrated bracket) for installation of #4 Outdoor stations mod. "Villa"
Dimensions (WxHxD mm)	96 x 208 x 15,5	106 x 218 x 26	207 x 218 x 26	308 x 218 x 26	409 x 218 x 26
Box	VI-BOX3 	VI-BOX3 	<b>2X</b> VI-BOX3 	<b>3X</b> VI-BOX3 	<b>4X</b> VI-BOX3 
Installation	SINGLE	SINGLE	MULTIPLE HORIZONTAL	MULTIPLE HORIZONTAL	MULTIPLE HORIZONTAL
Example					

VI-RP5BOX3	VI-RP2VBOX3	VI-KITDIST	VI-BOX5C	VI-RP4BOX03
				
Rain canopy (with integrated bracket) for installation of #5 Outdoor stations mod. "Villa"	Rain canopy (with integrated bracket) for installation of #2 Outdoor stations mod. "Villa"	Spacers for vertical coupling of #2 Boxes VI-BOX3	Backplate for installation of outdoor station mod. "Building"	Rain canopy (With integrated bracket) For installation of #1 Outdoor station Mod. "Building"
106 x 434 x 26	510 x 218 x 26	n.d.	143 x 360 x 19	155 x 372 x 26
<b>5X</b> VI-BOX3 	<b>2X</b> VI-BOX3 	n.d.	VI-BOX5 	VI-BOX5 
MULTIPLE HORIZONTAL	MULTIPLE VERTICAL	VERTICAL		SINGLE
		n.d.		

HOME AUTOMATION

HOTEL MANAGEMENT

VIDEO INTERCOM

ANTI INTRUSION

WIRING DIAGRAMS AND PRESCRIPTIONS

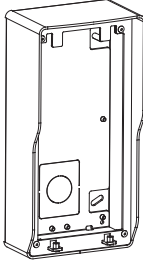
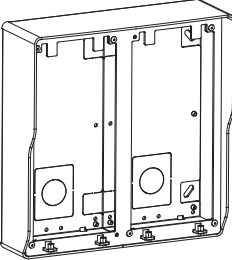
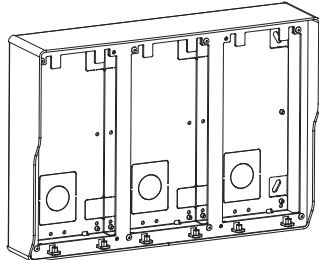
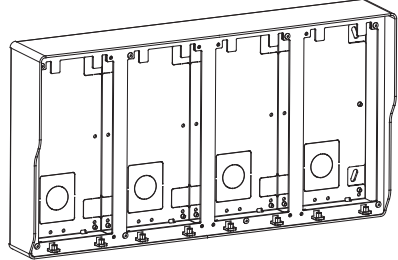



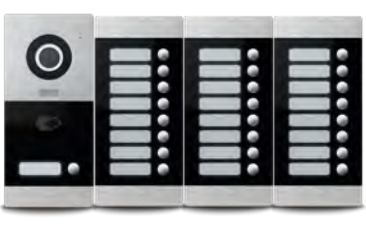




# TECHNICAL CATALOGUE

## VIDEOCITOFONIA

### TABLE OF COUPLING BOXES - BRACKETS - CANOPIES

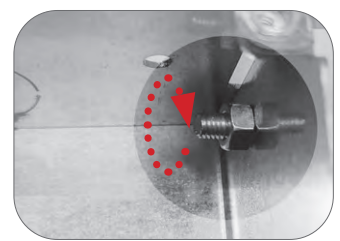
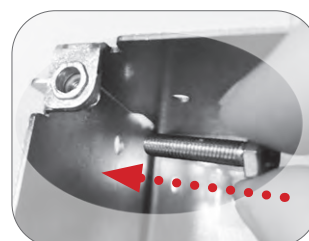
	VI-BOX4	VI-2BOX4	VI-3BOX4	VI-4BOX4
Description	Wall-mounted box (with integrated bracket) for installation of #1 Outdoor station mod. "Villa"	Wall-mounted box (with integrated bracket) for installation of #2 Outdoor stations mod. "Villa"	Wall-mounted box (with integrated bracket) for installation of #3 Outdoor stations mod. "Villa"	Wall-mounted box (with integrated bracket) for installation of #4 Outdoor stations mod. "Villa"
Dimensions (WxHxD mm)	106 x 218 x 70	207 x 218 x 70	308 x 218 x 70	409 x 218 x 70
Design				
Installation	SINGLE	MULTIPLE HORIZONTAL	MULTIPLE HORIZONTAL	MULTIPLE HORIZONTAL
Example				

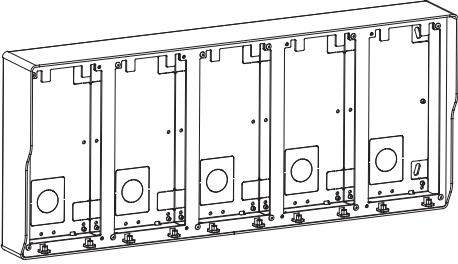
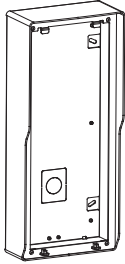
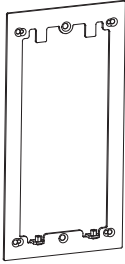
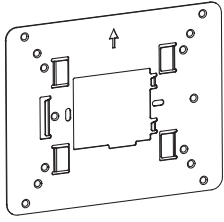


FREE ARRANGEMENT OF AUXILIARY COLUMNS

#### Example of installation with horizontally coupled boxes

COUPLE THE TWO BOXES BY FITTING THE TWO OUTER SLOTS

FASTEN TO WALLS USING THE SUPPLIED NUTS AND BOLTS



VI-5BOX4	VI-BOX6	VI-ADATT	TS-SMART10-ADT
Wall-mounted box (with integrated bracket) for installation of #5 Outdoor stations mod. "Villa"	Wall-mounted box (with integrated bracket) for installation of #1 Outdoor station mod. "Building"	Adapter (with integrated bracket) for retrofit box	Adapter plate for TS-SMART10 on box BL06
510 x 218 x 70	155 x 372 x 78	115 x 230 x 11	200 x 160 x 3
			
MULTIPLE HORIZONTAL	SINGLE	SINGLE	SINGLE
		n/a	n/a

HOME AUTOMATION

HOTEL MANAGEMENT

VIDEO INTERCOM

ANTI INTRUSION

WIRING DIAGRAMS AND PRESCRIPTIONS

\* FOR CODES NOT IN THE PRICE LIST, CONTACT THE SALES NETWORK

INSERT INTO HOLE

