

Anti-intrusion System



AVE PATENT No. 244/5/6
EU MODEL

DESIGN:
L. MERLETTI

AVE EQUIPMENT MUST BE INSTALLED BY A QUALIFIED PERSON AND THE SYSTEM MUST BE TESTED BY AN EXPERT, IN ACCORDANCE WITH CURRENT REGULATIONS

IT IS THE INSTALLER'S RESPONSIBILITY TO LEAVE THEIR NAME AND ADDRESS WITH THE CUSTOMER AND PREFERABLY ALSO LEAVE THE NAME AND ADDRESS OF THE LOCAL TECHNICAL SUPPORT CENTRE

System Description

Product range	270
Features and benefits	272
Integrated smart IoT platform	274
Notification	276
System sizing	278
Installation examples	280

Technical Catalogue

Wireless/wired control units	284
GSM Modules and BUS Interfaces	288
Expansion Modules and Aux Power Supply	290
Wired indoor and outdoor detectors	292
Wired magnetic contacts	296
Remote controls and wireless keypads	298
Key readers	300
Wireless PIR detector	302
Multifunctional wireless contact	304
Curtain effect detector	306
Outdoor detectors	308
Wireless signal repeater	312
Sirens	314
Technical alarm module	320



ANTI-INTRUSION SYSTEM

System Description

PRODUCT RANGE

270

Control units with web server and integrated Wi-Fi module

Integrated with:

- AVE DOMINA SMART home automation system
- IP cameras with HTTP protocol JPEG snapshot.



AVE Patent
"No. 244 EU
model"



Control of user functions and installer functions via a single APP for Android and iOS smartphones.



AVE Patent
"No 245 EU
model"



Wired and/or wireless sirens

with the option of independently managing optical and acoustic alerts for all types of events. For example, flashing can be used for deterrence and flashing plus acoustic warning to signal an alarm.

Mixed wireless/wired solution with wide range of detectors, both wired and wireless

- PIR volumetric detectors
- Curtain effect detectors with dual PIR for entrance protection
- Multifunctional perimeter detectors with magnet contact, 2 auxiliary inputs and magnetic tamper protection
- Interface for technical alarms that allows connection to any detectors with potential-free contact (e.g. gas detectors etc.).





ANTI-INTRUSION SYSTEM

System Description

FEATURES AND BENEFITS

272

Smart home security: the future is connected to AVE CLOUD

With DOMINA SMART ANTI-INTRUSION, the world of security and the world of connected objects come together, enhancing the features of both via AVE CLOUD. AVE's first true IoT burglar alarm is create - a fully integrated system for your building, ever ready to protect you and meet your technological needs.



Control your burglar alarm using your smartphone or tablet

Make your home even smarter with the AVE cloud APP! Interact with the intrusion detection system via your smartphone or tablet, anytime, anywhere.

You can manage all the functions built into the system! And what's more, you can even control the home automation system. All from a single APP.



AVE CLOUD, always ready to come to your aid

Has the installer arrived for a system programme change and you're not at home? No problem. You can open the gate for him remotely, disarm the burglar alarm and authorise him to make any changes. It's just like having a personal assistant always ready to help out. From your smartphone, you can check what zones are armed, check the event memory, edit and enable scenarios.



Managing your burglar alarm system has never been easier

While you are at work, you can even stay in touch with your anti-intrusion system from your PC by keeping an Internet page open. Using your smartphone, you can create various scenarios and customise them. Furthermore, if you have the AVE home automation system, when you leave, all you have to do is watch the gate close behind you. Your house will do it all for you: lower the roller shutters and engage the burglar alarm.





Quick to install

The control panel's graphical interface guides configuration and maintenance, allowing installation to be completed in no time.

Easy to manage

Whether locally (LAN/Wi-Fi) or remotely (Internet): all tasks are simple, quick and exact, as they are carried out via the control unit and automatically transmitted wirelessly to the system components.



Easy to promote

Scrolling through the graphics on a display, PC, tablet or smartphone, you quickly appreciate the high-tech on offer, far superior to other equipment on the market.

Flexible

A single platform for both wired (up to 16 inputs) and wireless (up to 99 devices): it allows the use of both wired and wireless peripherals, depending on the type of system required.



Reliable

New two-way wireless communication technology with GFSK digital protocol. Dual-band transmission.

Complete, integrated system

In addition to a wide range of devices and detectors, the system can be easily interfaced with IP cameras with HTTP Polling protocol and AVE home automation systems for residential and service sectors.



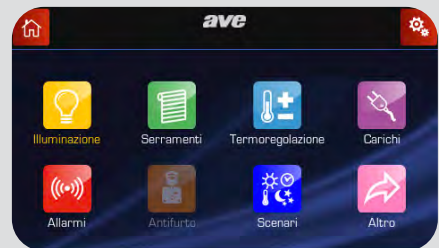


ANTI-INTRUSION SYSTEM

System Description

INTEGRATED SMART IoT PLATFORM

- All-in-one platform: the same programming and operation mode for both intrusion detection and home automation supervisors.



- A single CLOUD to manage home automation and anti-intrusion.



HOME AUTOMATION SUPERVISORS

53AB-WBS - TS01

ANTI-INTRUSION SUPERVISORS

AF927PLUSTC - AF927PLUS

• A single APP to manage home automation and anti-intrusion:

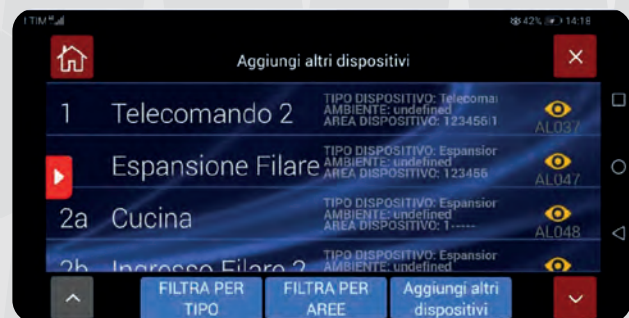
- Same interface as on AVE supervisors, even on smartphone
- Every update performed on the control unit is automatically acknowledged by all connected devices.
- Customisable PUSH NOTIFICATIONS for all events: the system alerts you by automatically sending push notifications of various events (alarms, faults, etc.).



• Option of managing and programming the control unit from any iOS or Android smartphone, and/or any device with a web browser.



User menu



Installer menu





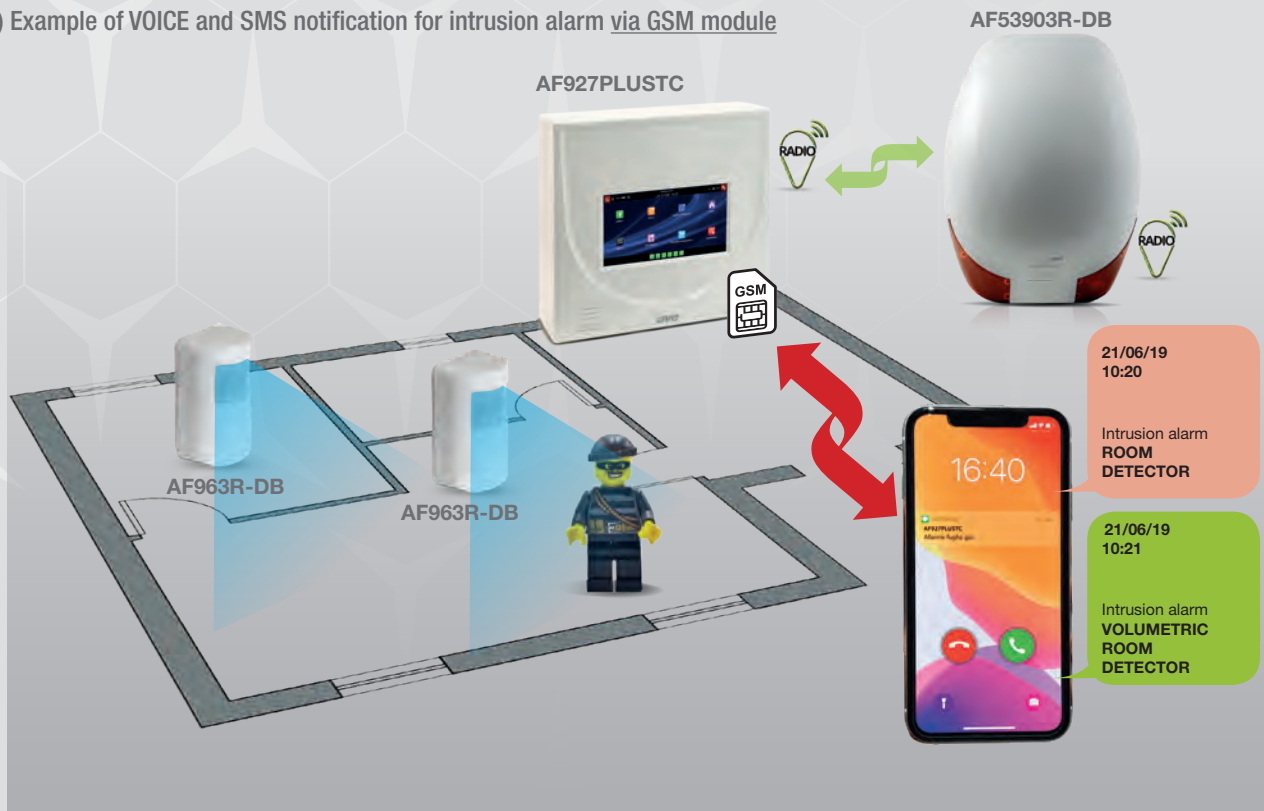
ANTI-INTRUSION SYSTEM

System Description

CUSTOMISED SMS AND/OR VOICE NOTIFICATIONS VIA GSM MODULE 2G AND 4G

276

1) Example of VOICE and SMS notification for intrusion alarm via GSM module

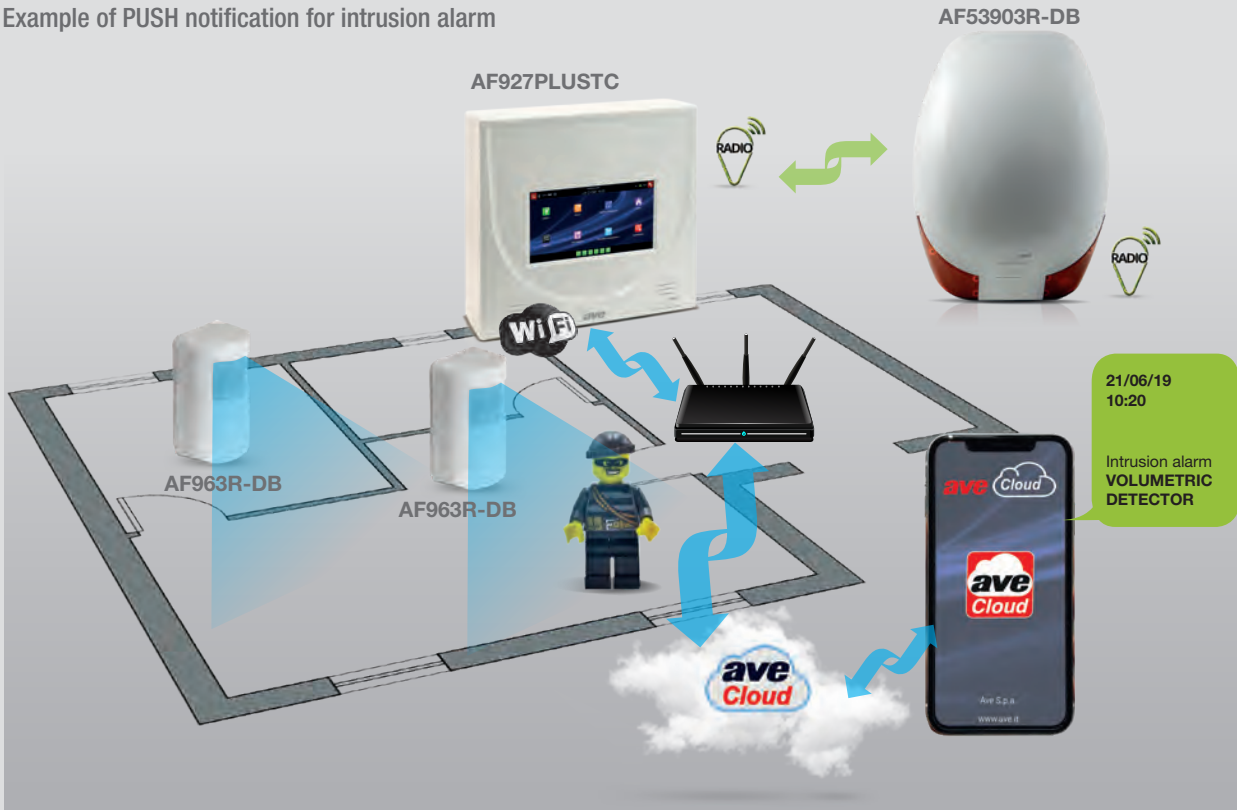


2) Example of SMS and VOICE notification for technical alarm (GAS leakage) via GSM module



CUSTOMISED PUSH NOTIFICATIONS VIA AVE CLOUD AND APP

1) Example of PUSH notification for intrusion alarm



2) Example of PUSH notification for technical alarm (GAS leakage)





ANTI-INTRUSION SYSTEM

System Description

SYSTEM SIZING

278

POWER SUPPLY

The control unit's internal power supply delivers a nominal voltage of 14.5 VDC (@100-240V - 50/60Hz) and a current of 1.6A; to facilitate calculation of the total consumption for the purposes of autonomy in the absence of mains power, the following table is provided:

	Cod. AF927PLUSTC	Cod. AF927PLUS
Power supply specifications	14.5V – 1.6A (@240-100V – 60/50Hz)	
Rechargeable batteries	2x12V – 2.2Ah	

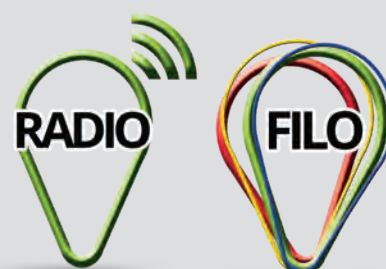
	Cod. AF927PLUSTC				Cod. AF927PLUS		
	Power supply status	230 V OK		Blackout	230 V OK	Blackout	
	LCD brightness	100%	50%	10%	0%	N/A	N/A
Stand-by power consumption	Control unit	390	300	200	30	150	20
	Wi-Fi module	40	40	40	Wi-Fi	40	Wi-Fi
	Wired board	20	20	20	20	20	20
	2G GSM module (AFGSM04)	10	10	10	10	10	10
	4G GSM module (AFGSM04-4G)	45-80	45-80	45-80	45-80	45-80	45-80
	Total	460 (530)	370 (440)	270 (340)	60 (140)	220 (290)	50 (120)

Where not indicated, values are in mA.

In brackets, the maximum consumption value with telephone dialer Art. AFGSM04-4G.

Note:

- In the event of a power failure, the Wi-Fi module is automatically switched off by the control unit to save energy. There is, however, an option of keeping both the Wi-Fi module and the GSM 4G module active via a special parameter.
- In order to guarantee 24-hour autonomy of the system in the absence of mains power, it is advisable not to exceed a maximum consumption of 180mA (with 2 x 12V 2.2Ah batteries).
- When using wired peripherals, it is recommended not to exceed 120mA power consumption. Should it be necessary to connect a larger number of devices, use an additional power supply unit with a buffer battery (art. ALI12-5A) and signal the fault of the power supply unit to the control unit or a wired bus input board (Art. AFEX6I-REN).
- The AF927INTLAN interface has an in-use consumption of 230 mA.



Anti-intrusion control unit positioning: some tips

- It is preferable to install the burglar alarm control unit in a central position with respect to the system itself
- When no obstacles (concrete walls, stone, etc.) are present, the maximum distance between the control unit and the detectors is 100 metres. During installation, it is advisable to check the wireless signal range using the 'field meter' function in the Test menu. If the signal is not poor because of obstacles, a repeater may be installed, cod. AFTRA03.

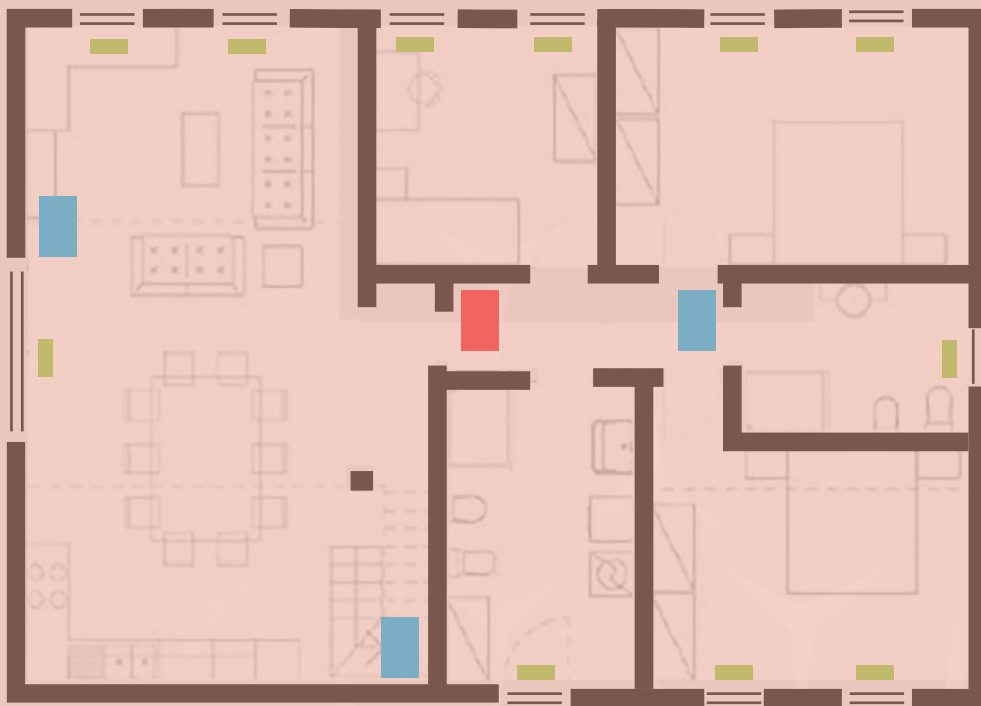
HOME AUTOMATION

HOTEL MANAGEMENT

VIDEO INTERCOMS

ANTI-INTRUSION

WIRING DIAGRAMS
AND INSTRUCTIONS



- Wireless/wired control unit
- Wireless volumetric detector
- Outdoor wireless siren
- Wireless perimeter detector








ANTI-INTRUSION SYSTEM

System Description

EXAMPLE 1: PROTECTION OF A TWO-ROOM FLAT WITH WIRELESS SYSTEM





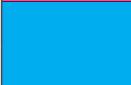
280



-  Wireless/wired control unit
-  Wireless volumetric detector
-  Outdoor wireless siren
-  Wireless perimeter detector
-  2 PIR wireless detector



EQUIPMENT LIST

	Cod.	Description	Qty
	AF927PLUS	Wireless/wired control unit with integrated Wi-Fi module	1
	AF911	Battery for control unit – 12 V 2.2 Ah	2
	AFGSM04-4G	GSM 4G module for control unit	1
	AF53903R-DB	Wireless siren with voice messages	1
	AF943R	Two-way remote controls	3
	AF915R-DB	Multifunctional wireless perimeter	2
	AF930	Wired magnetic contact for security door (*)	1
	AF965R-DB	2 PIR curtain effect detector	1
	AF963R-DB	Wireless PIR detector	1
	AF961N	Joint for PIR detector	1

*Note: AF930 to be connected to the auxiliary input of AF915R-DB contact

EXAMPLE 2: PROTECTION OF A TWO-ROOM FLAT WITH A WIRED SYSTEM

281



- Wireless/wired control unit
- Wired volumetric detector
- Outdoor wired siren
- Wired perimeter detector
- Wired curtain effect detector



EQUIPMENT LIST

	Cod.	Description	Qty
	AF927PLUS	Wireless/wired control unit with integrated Wi-Fi module	1
	AF911	Battery for control unit – 12 V 2.2 Ah	2
	AFGSM04-4G	GSM 4G module for control unit	1
	AF53900N	Outdoor wired siren	1
	AF911	Battery for siren – 12 V 2.2 Ah	1
	AF943R	Two-way remote controls	3
	AF903	Wired magnetic surface contact	1
	AF930	Wired magnetic contact for security door	1
	AF973F	Wired DT detector with curtain effect	1
	AF963N	Wired DT detector with joint	1

HOME AUTOMATION

HOTEL MANAGEMENT

VIDEO INTERCOMS

ANTI-INTRUSION

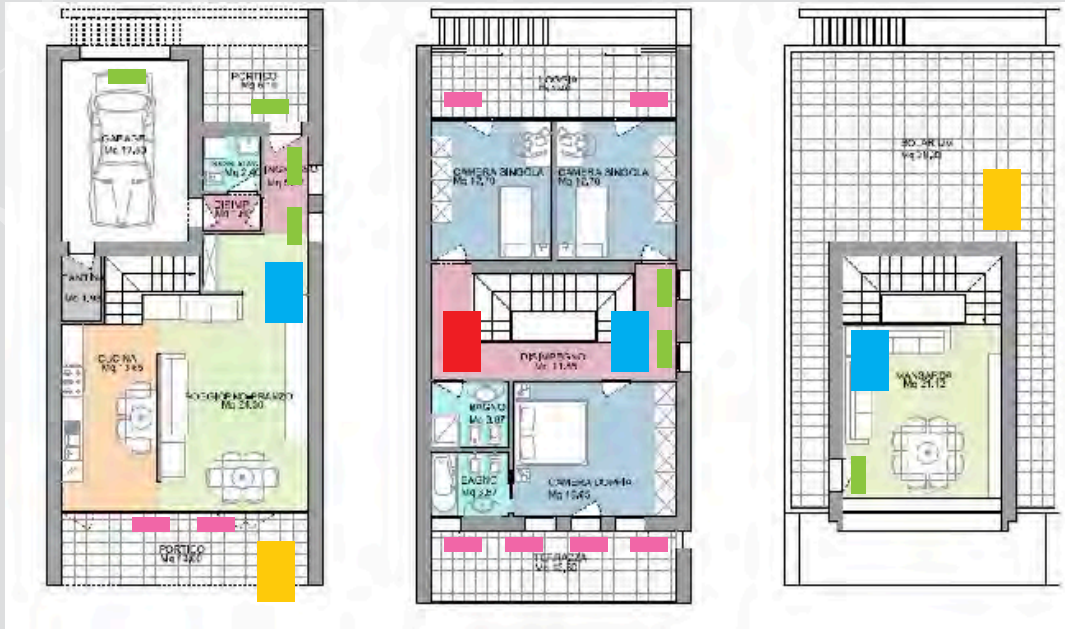
WIRING DIAGRAMS AND INSTRUCTIONS



ANTI-INTRUSION SYSTEM

System Description

EXAMPLE 3: PROTECTION OF A TERRACED HOUSE WITH WIRELESS SYSTEM



- Wireless/wired control unit
- Wireless volumetric detector
- Outdoor wireless siren
- Wireless perimeter detector
- 2 PIR wireless detector

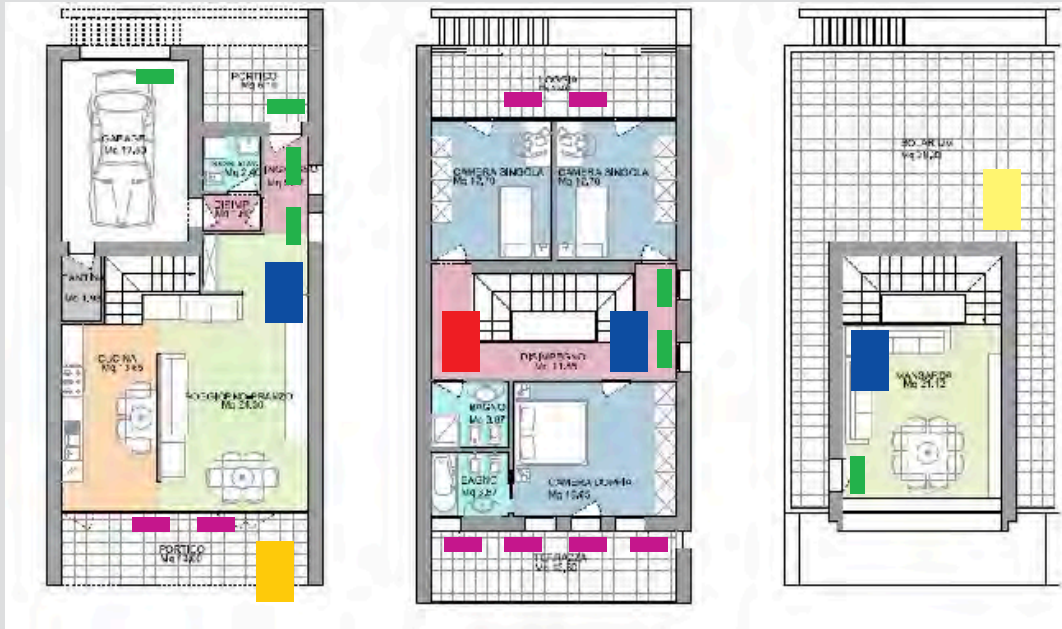


EQUIPMENT LIST

	Cod.	Description	Qty
	AF927PLUSTC	Wireless/wired control unit with integrated Wi-Fi module	1
	AF911	Battery for control unit – 12 V 2.2 Ah	2
	AFGSM04-4G	GSM 4G module for control unit	1
	AF53903R-DB	Wireless siren with voice messages	2
	AF943R	Two-way remote controls	4
	AF915R-DB	Multifunctional wireless perimeter	7
*	AF930	Wired magnetic contact for security door (*)	1
*	AF933	Wired magnetic contact for overhead door (*)	1
	AF965R-DB	2 PIR curtain effect detector	8
	AF963R-DB	Wireless PIR detector	3
	AF961N	Joint for PIR detector	3

*Note: AF930 and AF933 to be connected to the auxiliary input of the AF915R-DB contact

EXAMPLE 4: PROTECTION OF A TERRACED HOUSE WITH MIXED WIRELESS/WIRED SYSTEM



- Wireless/wired control unit
- Wired volumetric detector
- Outdoor wired siren
- Outdoor wireless siren
- Wired perimeter detector
- 2 PIR wireless detector



EQUIPMENT LIST

	Cod.	Description	Qty
	AF927PLUSTC	Wireless/wired control unit with integrated Wi-Fi module	1
	AF911	Battery for control unit – 12 V 2.2 Ah	2
	AFGSM04-4G	GSM 4G module for control unit	1
	AF53903R-DB	Wireless siren with voice messages	1
	AF53900N	Outdoor wired siren	1
	AF911	Battery for siren – 12 V 2.2 Ah	1
	AF943R	Two-way remote controls	4
	AF903	Wired magnetic surface contact	5
	AF930	Wired magnetic contact for security door	1
	AF933	Wired magnetic contact for overhead door	1
	AF965R-DB	2 PIR curtain effect detector	8
	AF963N	Wired DT detector with joint	3

HOME AUTOMATION

HOTEL MANAGEMENT

VIDEO INTERCOMS

ANTI-INTRUSION

WIRING DIAGRAMS AND INSTRUCTIONS



TECHNICAL CATALOGUE

DOMINA SMART ANTI-INTRUSION SYSTEM

WIRELESS/WIRED CONTROL UNITS AF927PLUS – AF927PLUSTC

284

AF927PLUS/AF927PLUSTC is a wireless/wired control unit with integrated Wi-Fi module. It can manage up to 99 detectors that are individually identifiable by means of a 'label' function which, when suitably programmed, shows the location of the alarm (e.g.: living room, kitchen, corridor, etc.) on the display or control device. The wired board can handle 8 inputs with free balance and 16 with NC balance.

TECHNICAL SPECIFICATIONS

- **Primary power supply:** 230 Vac -15%+10% - 50/60 Hz.
- **Secondary power supply:** to be supplemented with 2 x 12 V/2.2 Ah batteries cod. AF911.
 - Maximum charging time: 3 hours
 - Low battery alert at 10.9 V and full battery alert at 11.4 V.
- **Transmitting/Receiving RF** 433 MHz/868 MHz GFSK Dual band, EU- standard 300-220-1; 300-330; 300-440, wireless range in open air, disturbance-free 100m. Wireless range may also be significantly reduced indoors due to the positioning of equipment (detectors, sirens, etc.) in relation to the structure of the rooms.
- **Wireless inputs:**
 - 99 wireless channels – 99 detectors individually identifiable with text and/or voice label, each delayable and includes AND function.
- **Wired inputs:**
 - 8 double-balanced wired inputs. 16 connectable peripherals with double function
 - 1 double-balanced input for electro-mechanical wired key reader with at least 300 combinations.
- **Wired outputs:**
 - 1 for indoor siren control
 - 1 for outdoor self-powered siren
 - Two, free changeover programmable relays for various functions (max. 500 mA@12 V).
- **6 arming areas** (1,2,3,4,5,6).
- **Anti-tampering via wireless:** reception of tamper signal from each individual detector - reception of 'keep alive' signals transmitted every 18 minutes and low battery (SUPERVISION) when required.
- **R.F. faults:** continuous, simultaneous and programmable control of the 2 operating frequencies.
- **Code management:** Power User (master user), Installer, 62 users + anti-coercion function
- **Remote controls:** option of storing 32 AF943R remote controls, individually identifiable with a text label via display touch screen or with a voice label.
- **Last 500 events memory** (non-volatile memory).
- **Event Messages.** Option of recording voice messages to inform the user in real time of the main events occurring at the control unit (control unit armed; control unit disarmed; door open; outdoor detector alarm; pre-alarm; tampering; new event).
- **Timing:** arming delay programmable from 1 to 99 seconds - entrance delay programmable on each detector, from 1 to 45 seconds - general alarm time 3 minutes fixed - Time programmer: daily.
- **Indoor siren:** alarm siren 106 dB.
- **Acoustic alerts:** voice messages for installation guidance and notifications to user + low-intensity buzzer.
- **Integrated WI-Fi module and web server.**
- **Integration:**
 - AVE DOMINAPLUS home automation system
 - 1 to 4 IP cameras with HTTP JPEG snapshot
- **Dimension data and other specifications**
 - dimensions: 270x262x82 mm
 - weight: AF927PLUSTC 2.0 kg - AF927PLUS 1.5 kg
 - temperature: operational/storage: -25°C to +55°C – Humidity 95%.



Control of user and installer functions via a single APP for Android and iOS smartphones.



POWER SUPPLY

The control unit's internal power supply delivers a nominal voltage of 14.5 VDC (@100-240V - 50/60Hz) and a current of 1.6A; to facilitate calculation of the total consumption for the purposes of autonomy in the absence of mains power, the following table is provided:

	Cod. AF927PLUSTC	Cod. AF927PLUS
Power supply specifications	14.5V – 1.6A (@240-100V – 60/50Hz)	
Rechargeable batteries	2x12V – 2.2Ah	

		Cod. AF927PLUSTC				Cod. AF927PLUS	
Power supply status		230 V OK			Blackout	230 V OK	Blackout
LCD brightness		100%	50%	10%	0%	N/A	N/A
Stand-by power consumption	Control unit	390	300	200	30	150	20
	Wi-Fi module	40	40	40	Wi-Fi	40	Wi-Fi
	Wired board	20	20	20	20	20	20
	2G GSM module (AFGSM04)	10	10	10	10	10	10
	4G GSM module (AFGSM04-4G)	45-80	45-80	45-80	45-80	45-80	45-80
	Total	460 (530)	370 (440)	270 (340)	60 (140)	220 (290)	50 (120)

Where not indicated, values are in mA.

In brackets, the maximum consumption value with telephone dialer Art. AFGSM04-4G.

Note:

- In the event of a power failure, the Wi-Fi module is automatically switched off by the control unit to save energy. There is, however, an option of keeping both the Wi-Fi module and the GSM 4G module active via a special parameter.
- In order to guarantee 24-hour autonomy of the system in the absence of mains power, it is advisable not to exceed a maximum consumption of 180mA (with 2 x 12V 2.2Ah batteries).
- When using wired peripherals, it is recommended not to exceed 120mA power consumption. Should it be necessary to connect a larger number of devices, use an additional power supply unit with a buffer battery (art. ALI12-5A) and signal the fault of the power supply unit to the control unit or a wired bus input board (Art. AFEX6I-REN).
- The AF927INTLAN interface has an in-use consumption of 230 mA.

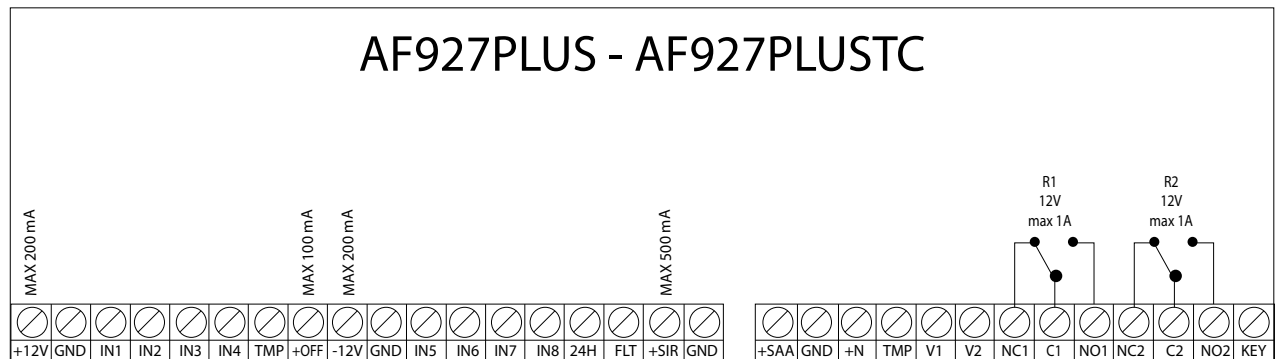


TECHNICAL CATALOGUE

DOMINA SMART ANTI-INTRUSION SYSTEM

WIRELESS/WIRED CONTROL UNITS AF927PLUS – AF927PLUSTC

DESCRIPTION OF WIRED BOARD TERMINAL BLOCK (INCLUDED IN CONTROL UNIT)



Terminal	Description
12+V	Detector power supply (12+ VDC – max. 200 mA)
GND	GND
IN1	Wired alarm input IN1
IN2	Wired alarm input IN2
IN3	Wired alarm input IN3
IN4	Wired alarm input IN4
TMP	Tamper inputs 1,2,3 & 4
+OFF	System status output (positive when system disarmed) – max. 100 mA
12+V	Detector power supply (+12 VDC – max. 200 mA)
GND	Gnd
IN5	Wired alarm input IN5
IN6	Wired alarm input IN6
IN7	Wired alarm input IN7
IN8	Wired alarm input IN8
24H	Tamper inputs 5,6,7 & 8
FLT	Fault input. Balanced input with 22 kΩ resistor
+SIR	Indoor auxiliary siren control (12 VDC - max. 500 mA)
+SAA	Outdoor siren power supply (14 VDC)
GND	Gnd
+N	Output for outdoor siren control (command when no positive)
TMP	Wired siren tamper – Double balanced input with 22 kΩ resistors
V1	Not in use
V2	Not in use
GND	Gnd
NC1	Relay 1 output NC contact (max. 1 A @12 VDC)
C1	Relay output contact common (max. 1 A @12 VDC)
NO1	Relay 1 output NO contact (max. 1 A @12 VDC)
NC2	Relay 2 output NC contact (max. 1 A @12 VDC)
C2	Relay 2 output contact common (max. 1 A @12 VDC)
NO2	Relay 2 output NO contact (max. 1 A @12 VDC)
KEY	Input ON OFF (Closed to GND: OFF)



AF927PLUSTC

AF927PLUSTC

Dual band, wireless and wired control unit with integrated web server and Wi-Fi module. Power 230 Vac, power supply 1.6A. Management of up to 120 devices (wireless + wired on internal board + wired bus via AF927INTFIL) individually identifiable via 7" colour LCD touch screen display and/or any device equipped with web browser.

More specifically:

- 99 direct wireless channels in control unit
- 8 wired inputs on control unit (16 with double function), balancing resistors supplied.
- 120 wired inputs via remote 6-input expansion modules AFEX6I-REN
- 16 wired bus key readers AF44...045

Option of transmitting voice messages and/or SMS alarms. Speech synthesis for recording voice messages to be combined with messages shown on the display. To be supplemented with 2 batteries AF911. Conforms to EN 50131-5-3, EN 50131-6, EN 50136-2, EN 50131-3 GR2/CLII.

Colour RAL 9016. Dimensions 270x262x82 mm.



AF927PLUS

AF927PLUS

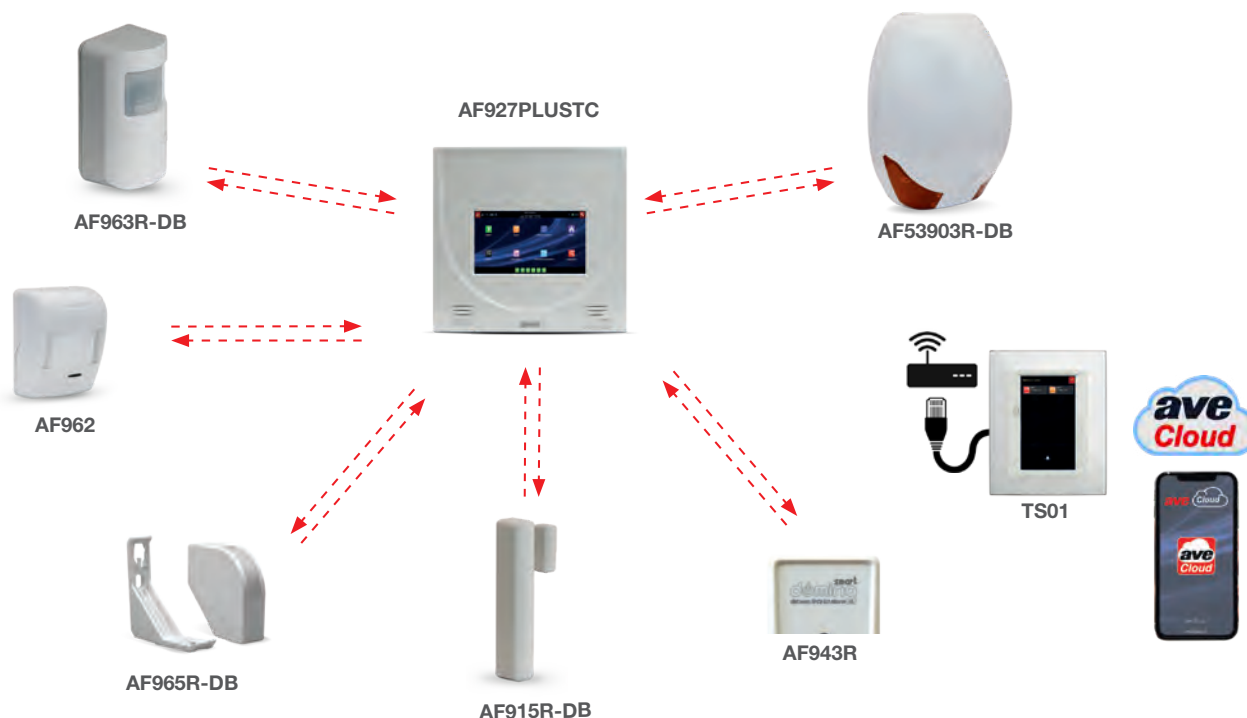
Dual band, wireless and wired control unit with integrated web server and Wi-Fi module. Power 230 Vac, power supply 1.6A. Management of up to 120 devices (wireless + wired on internal board + wired bus via AF927INTFIL) individually identifiable via any device equipped with a web browser.

More specifically:

- 99 direct wireless channels in control unit
- 8 wired inputs on control unit (16 with double function), balancing resistors supplied.
- 120 wired inputs via remote 6-input expansion modules AFEX6I-REN
- 16 wired bus key readers AF44...045

Option of transmitting voice messages and/or SMS alarms. Speech synthesis for recording voice messages to be combined with messages shown on the display. To be supplemented with 2 batteries AF911. Colour RAL 9016. Dimensions 270x262x82 mm.

FUNCTIONAL LAYOUT



HOME AUTOMATION

HOTEL MANAGEMENT

VIDEO INTERCOMS

ANTI-INTRUSION

WIRING DIAGRAMS AND INSTRUCTIONS



TECHNICAL CATALOGUE

DOMINA SMART ANTI-INTRUSION SYSTEM

GSM MODULES, AND WIRED AND LAN BUS INTERFACES

The **AFGSM04** and **AFGSM04-4G** control units can be equipped with 'telephone dialer' modules:

AFGSM04: 2G GSM module

The device allows SMS and voice calls to be sent and received for two-way management of the control unit. Calls and SMS alerts can be customised as desired during the configuration stage.

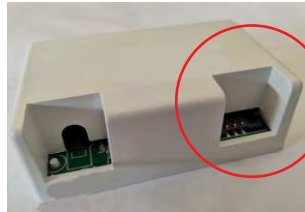
AFGSM04-4G: 4G LTE module

In addition to the features common to the 2G module, the 4G LTE module allows full management of the control unit using the AVE Cloud application.

Both modules are equipped with flat cable coupling for direct connection to the control unit.

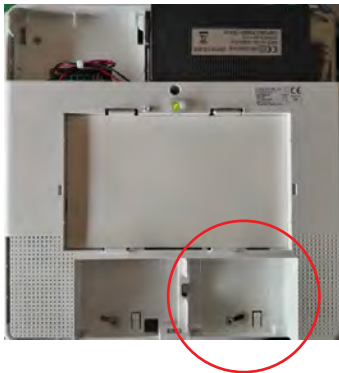
Information for correct installation

a) With the module disconnected, insert the SIM into the correct slot on the GSM module



Location for SIM insertion

b) After disconnecting both mains power and batteries from the control unit, insert the GSM module into the unit.



Compartment for GSM 2G and 4G module



Should removal of the GSM module be required, press down on the catch securing the module using a pointed object.

Check that the SIM card pin code lock is DISABLED.

Alerts that the AFGSM04 and AFGSM04-4G modules send via SMS and/or voice messages

- | | |
|---|--|
| <ul style="list-style-type: none"> • Control unit armed • Control unit disarmed • Alarm • Voice alarm 1 • Voice alarm 2 • Tampering • Medical emergency • Panic emergency • Assault emergency • Technological support | <ul style="list-style-type: none"> • No mains power • Mains power return • Low battery • Fault • Home automation control out • Failure to supervise periodic message • SIM expiry • Radio interference |
|---|--|

NOTE: ensure that the GSM 2G or 4G signal of the chosen operator in the room where the anti-intrusion control panel is to be placed has adequate power.



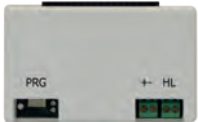
AFGSM04
AFGSM04-4G

AFGSM04

2G GSM module for AF927PLUS and AF927PLUSTC control units. Central flat cable coupling. Allows SMS and voice calls to be sent and received for two-way management of the control unit.

AFGSM04-4G

4G GSM module. Allows full management of control units remotely, sending SMS messages and voice calls.



AF927INTFIL

AF927INTFIL

Wired Bus Interface Board for AF927PLUS and AF927PLUSTC CONTROL UNITS. Allows expansion modules to be connected on a wired bus.



AF927INTLAN

AF927INTLAN

LAN interface for AF927PLUS and AF927PLUSTC CONTROL UNITS. Allows connection of control units to a wired LAN network.

HOME AUTOMATION

HOTEL MANAGEMENT

VIDEO INTERCOMS

ANTI-INTRUSION

WIRING DIAGRAMS AND INSTRUCTIONS

EXAMPLE OF OPERATION





TECHNICAL CATALOGUE

DOMINA SMART ANTI-INTRUSION SYSTEM

EXPANSION MODULES AND POWER SUPPLY

290



ALI12-5A

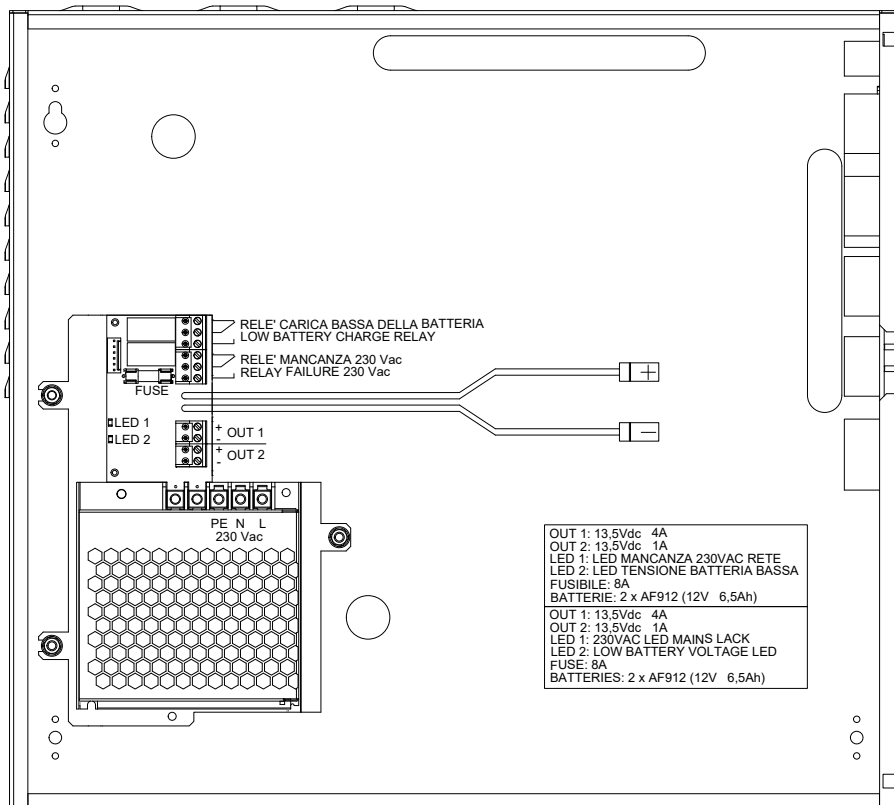
Dimensions

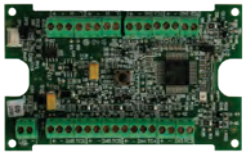
390 x 350 x 88 mm.

Technical specifications

Power supply voltage	230 Vac (+/- 10%) 50Hz
Output voltage for battery supply	13.5 VDC
Deliverable current	5 A
Batteries	2X AF912 (12V 6.5 Ah)
Fuse for output protection	8 A
Mains power LED on board	230 Vac power supply on
LED battery under minimum threshold on board	On if voltage of batteries is low
Output relay with changeover contact for supervision of presence of mains power	Changeover contact
Output relay with changeover contact for supervision of battery charge	Changeover contact
Dimensions (WxDxH)	390 x 350 x 88 mm

Technical Specifications





AFEX6I-REN

AFEX6I-REN

6-input remote expansion module for AF999PLUS, AF949PLUS, AF927PLUS and AF927PLUSTC control units. Inputs may be freely configured (NC, double balance, pulse counter).

AFEXPU

Remote output module with relay for AF999PLUS, AF949PLUS, AF927PLUS and AF927PLUSTC control units. Operates as timed monostable, 'latching relay' (e.g. for lights) or as 'latching with inversion' (e.g. for roller shutters).



AFEXPU

AF909RR

Two-way wireless module for AF999PLUS, AF949PLUS, AF927PLUS and AF927PLUSTC control units. Allows all wireless devices in the wireless intrusion detection range to be used. Install a maximum of two wireless modules per control unit.



AF909RR

Supervised power supply



ALI12-5A

ALI12-5A

Additional power supply with supervised mains on and battery level outputs. Input voltage: 230 Vac - 50Hz. Output voltage 13.5VDC. Deliverable current: 5A. To be supplemented with 2 x batteries AF912 (12V 6.5Ah). Dimensions 390 x 350 x 88 mm.



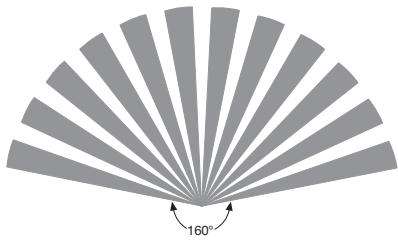
TECHNICAL CATALOGUE

DOMINA SMART ANTI-INTRUSION SYSTEM

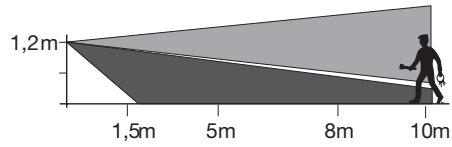
WIRED INDOOR AND OUTDOOR DETECTORS

AF44x062

Top view

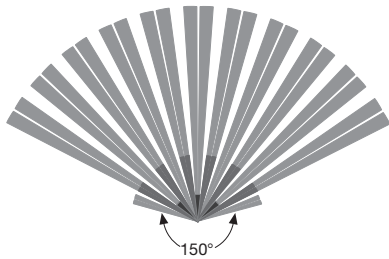


Side view

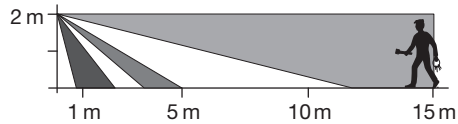


AF962

Top view

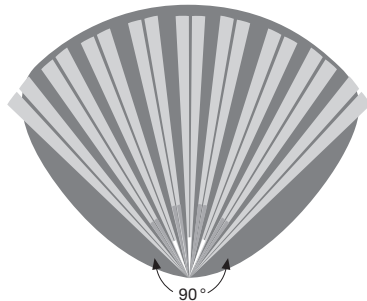


Side view

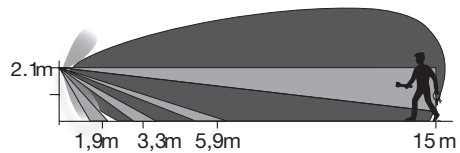


AF963N

Top view

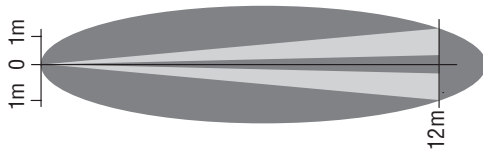


Side view

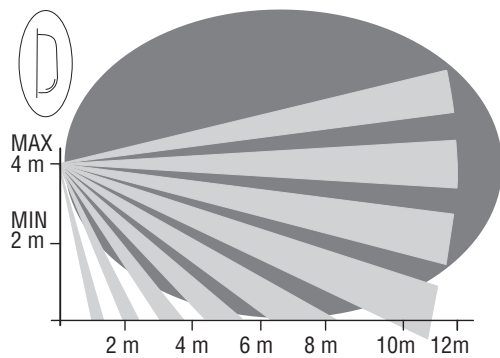


AF969F

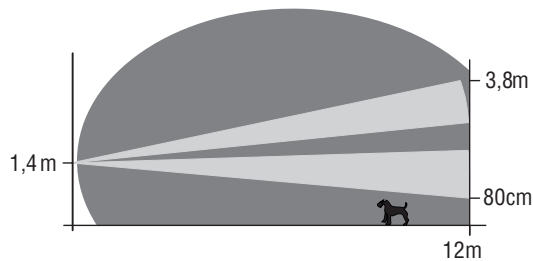
Top view



Side view



Side view with partialising lens





Flush-mounted wired detectors

293



AF441062



AF449062



AF445062

AF441062

Flush-mounted wired PIR detector. Power consumption 7mA. Range 10m. Potential-free output contact. Domus S44 series

AF442062

Flush-mounted wired PIR detector. Power consumption 7mA. Range 10m. Potential-free output contact. Life S44 series.

AF443062

Flush-mounted wired PIR detector. Power consumption 7mA. Range 10m. Potential-free output contact. Allumia S44 series.

AF445062

Flush-mounted wired PIR detector. Power consumption 7mA. Range 10m. Potential-free output contact. Tekla S44 series.



AF442062



AF443062

Note: an auxiliary contact must be provided for device removal protection.

AF449062

Flush-mounted wired PIR detector. Power consumption 7mA. Range 10m. Potential-free output contact. Class S44 series.

Wall-mounted wired volumetric detectors



AF961



AF962

AF962

Wired PIR detector. Pulse counter. Range 15m. Power consumption 7mA.

AF961

Joint for AF962 wall detectors.

AF963N

Dual technology detector with anti-shielding. Power consumption 30mA. Supplied with joint.



AF963N



Outdoor wired detectors



AF969F



AF969S

AF969F

Dual technology curtain detector for entrance protection. Maximum range: 12m. Power consumption 32mA. Complies with EN 50131-2-4 Grade 2. Environmental class IV (outdoor). Dimensions (110x44x46mm). Supplied with canopy, corner mounting bracket (90°) and PET immunity lens.

AF969S

Joint for AF969F.



TECHNICAL CATALOGUE

DOMINA SMART ANTI-INTRUSION SYSTEM

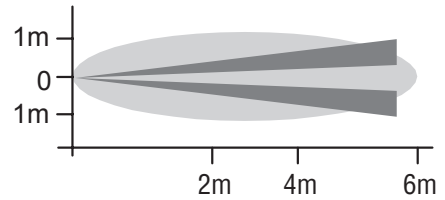
WIRED INDOOR AND OUTDOOR DETECTORS



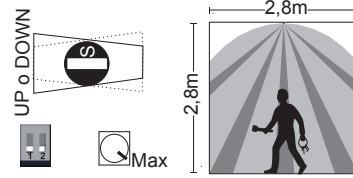
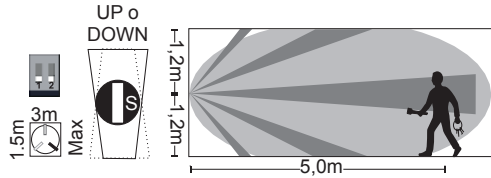
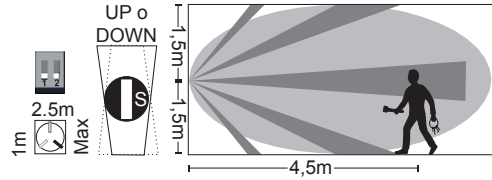
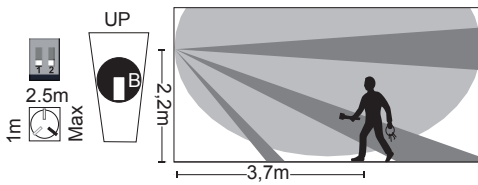
AF973F

Dimensions
87x32x35 mm
Colour
RAL 9016.

Top view

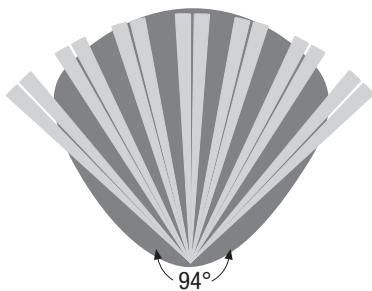


Entrance and window protection

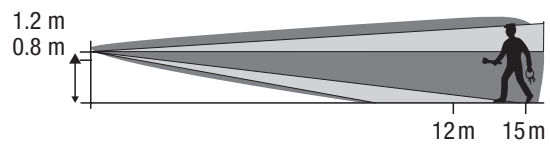


AF973F

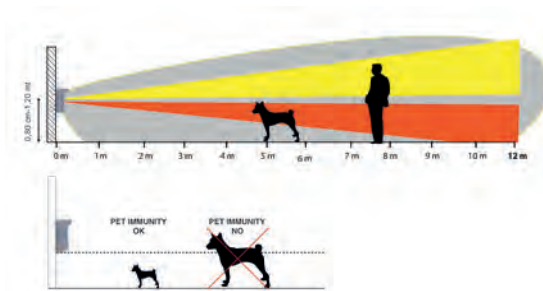
Top view



Side view



Installation height



mount the sensor at a height greater than the height of the animal to be detected

Wired, curtain effect detectors

295



AF973F

AF973F

Dual technology curtain detector for entrance protection. Maximum range: 6m. Power consumption 27mA. Complies with EN 50131-2-4 Grade 2. Environmental class III (sheltered outdoor). Dimensions (LxHxD): 87x32x35 mm.

Wall-mounted wired volumetric detectors



AF974F



AF974S

AF974F

Triple-sensor, volumetric motion detector: dual PIR (passive infra-red detector that detects items of different temperature to the background and generates an alarm) and microwave (which analyses the reflected radiation of moving bodies). The anti-masking system makes it possible to detect items both in the immediate vicinity of the detector and directly on the sensor lens. Supplied with rain cover. Dimensions (LxHxD): 185x85x80 mm.

AF974S

Bracket supplied or via 45° corner joint

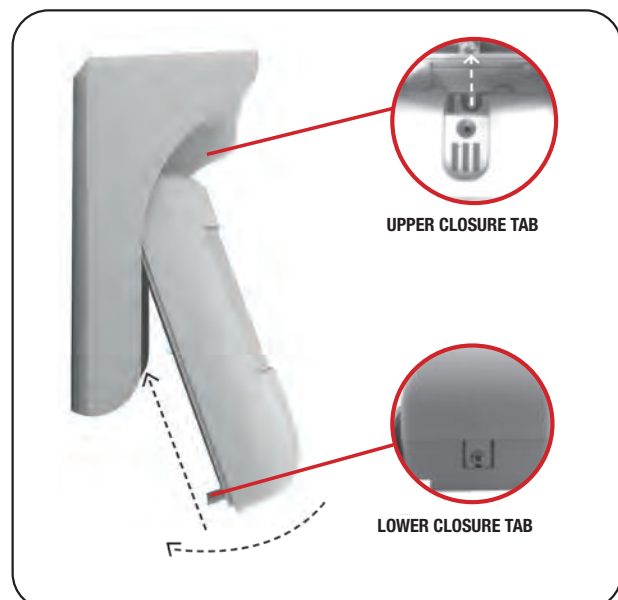
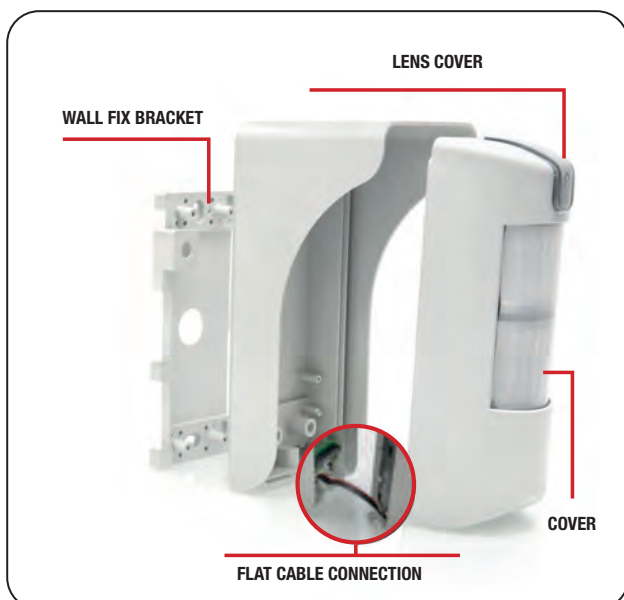
HOME AUTOMATION

HOTEL MANAGEMENT

VIDEO INTERCOMS

ANTI-INTRUSION

WIRING DIAGRAMS AND INSTRUCTIONS



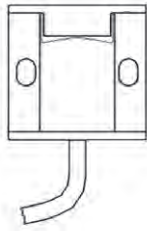


TECHNICAL CATALOGUE

DOMINA SMART ANTI-INTRUSION SYSTEM

WIRED MAGNETIC CONTACTS

296



AFIN1

Dimensions
33x33x24 mm.
Colour
White

Relative humidity max	dry environments
Exit	NC contact, max 100 Vdc, max 100 m, max power 3 W
Cable length	2 meters
Material	white thermoplastic
Protection rating	IP54
Operating temperature	-25°C ÷ +55°C
Degree of security	CEI 79-2 - Direttiva 2002/95/CE RoHS
Dimensions (WxDxH)	33 x 33 x 24 mm.



AF933

Dimensions
140x42x15,5 mm.
Colour
White

Material	die-cast aluminum
Maximum relative humidity	95% max a 40°C (CEI 79-2)
Contact capacity NC	1 A max, 200 Vcc max , P = 10 W max
Maximum distance Y X for operation on non-ferrous material	50 40 mm
Maximum operating distance Y on ferrous materials	35 mm
Caps	anti-unscrewing
Cable length	1,2 meter
Steel cable protection sheath covered in black PVC	1 meter
Security degree according to EN 50131-2-6	II
Environmental class according to EN 50130-5	IV
Operating temperature	-25°C ÷ +75°C
Degree of protection	IP65
Degree of security	EN 50131-2-6 : 2008 - EN 50130-4 : 2011- EN 61000-6-3 : 2007 + A1 : 2011 - Direttiva RoHS
Dimensions (WxDxH)	33 x 33 x 24 mm.



AF902

AF902
Shell magnetic contact.



AF903

AF903
Surface-mounted wire magnetic contact.



AF930

AF930
Flush-mounted, brass magnetic contact for security doors.



AF931

AF931
Surface-mounted magnetic contact via power cable in aluminium for metal frames.



AF932

AF932
Surface-mounted, brown, magnetic contact via wire in aluminium.



AF933

AF933
Magnetic contact via wire in aluminium for overhead doors.



AFRTP1

AFRTP1
Wired roller shutter movement detector. Use with AF914R-DB detector or with AFIP1.



AFIP1

AFIP1
Pulse counter board for AFRTP1. Used for connecting the AFRTP1 detector to the input of wired control units. Power supply 12VDC.



AFIP2 AFIP1

AFIN1
Inertial vibration detector made in thermoplastic material. Suitable for the protection of doors, windows, glass panes or wherever impact detection is required. Must be interfaced to the AFIP2 pulse counter board, which allows the sensitivity to be adjusted.

AFIP2
Pulse counter board for AFIN1. Used for connecting the AFIN1 detector to the input of wired control units.



TECHNICAL CATALOGUE

DOMINA SMART ANTI-INTRUSION SYSTEM

REMOTE CONTROLS AND WIRELESS KEYPADS

298



AF970R-DB

Dimensions
150x67x25 mm.
Colour
RAL 9016.

Power supply	Lithium battery CR123A 3 V (1.4 Ah), supplied
Current consumption at rest	< 20 µA
Current consumption in operation	< 55 mA
Autonomy in years - approx.	2
Dual-frequency wireless transmission	GFSK Dual Band 433.54-433.92 MHz; 868.30-868.94 MHz
Insulation (class)	Class II
Protection rating	50
Operating temperature	-10 °C ... +40°C
Degree of security	EN 50131 GRADE 2
Dimensions (WxDxH)	11 x 84 x 32 mm
Weight	20 g
Wireless range	50 m



AF943R

Dimensions
11x84x32 mm
Colour
RAL 7035.

Power supply	1 x CR2032 3 V
Current consumption at rest	< 2 µA
Current consumption in operation	< 55 mA
Autonomy in years - approx.	> 3
Dual-frequency wireless transmission	GFSK Dual Band 433.54-433.92 MHz; 868.30-868.94 MHz
Wireless range in open air space, disturbance-free	> 100 m
Environmental class in accordance with EN 50131-3, EN 50131-5-3 Safety Grade 2	II
Operating temperature	-10 °C ... +40°C
Dimensions (WxDxH)	11 x 84 x 32 mm
Weight	20 g
IP	40



AF970R-DB

AF970R-DB

Multifunction, dual band keypad for wireless control units. Two-way dialogue. Backlit LCD for system status/fault indication. Battery 1 x CR123 included. Integrated AF340-T tag reader. Dimensions: 150x67x25mm.

AF943R

4-button remote control for wireless system. Allows control of wireless control units. Rolling code change mode. Two-way dialogue with wireless range stations. On-board system status display via LED.

Battery: 1 x CR2032 included.
Colour RAL 7035. Dimensions 11x84x32 mm



AF943R

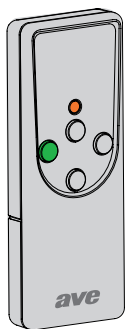
Up to 6 functions may be customised and recalled from among the following:

- Arming (even partial)
- Disarming
- Partialising
- Medical
- Panic
- Robbery
- Home automation (for relay control)
- Home automation scenarios
- Automation.

MULTIFUNCTIONAL REMOTE CONTROL - HOME AUTOMATION INTERACTION

Option of using the same remote control to arm/disarm the burglar alarm and to call up home automation scenarios (if the control unit is interfaced with the AVE DOMINAPLUS home automation system). For example, in the same installation the following can be carried out:

a) Disarming the anti-intrusion system



AF943R



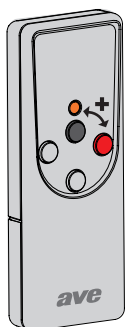
AF927PLUSTC



TS01

System Display
OFF

b) Activation of home automation scenario 'EXIT': switching off all lights, closing all rolling shutters, arming the anti-intrusion system.



AF943R



AF927PLUSTC



TS01

EXIT scenario
under way



TECHNICAL CATALOGUE

DOMINA SMART ANTI-INTRUSION SYSTEM

Key readers

300

AF44x045



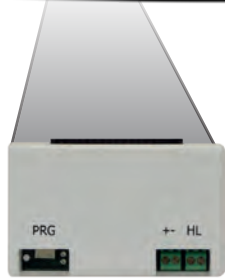
Dimensions

22,5x45 mm (1 modulo)

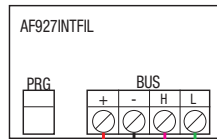
Colour

RAL 9010 Domus Series - RAL 7016 Tekla Series- RAL 1013 Class Series
RAL 9017 Life Series - RAL 9007 Allumia Series

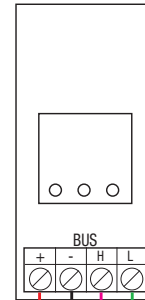
AF927PLUSTC - AF927PLUS



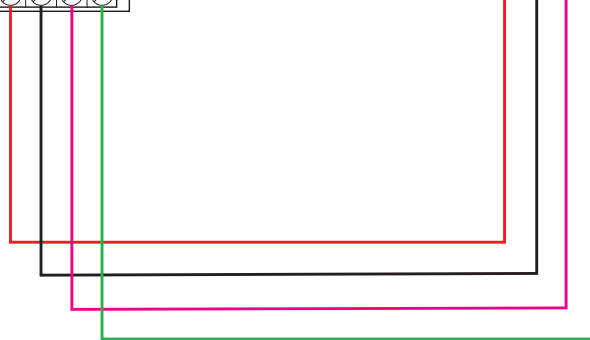
AF927INTFIL



AF44x045



JP1: TERMINATION RESISTANCE
(ON IF THE DEVICE IS THE LAST
ELEMENT OF THE BRANCH)





AF340-T

AF340-T

Transponder key. Operates with AF441045, AF442045, AF443045 AF445045, AF449045 readers and AF949PLUS, AF999PLUS, AF927PLUS, AF927PLUSTC control units.

Flush-mounted transponder key reader



AF441045

AF445045

AF449045

AF441045

Domus series transponder key reader. Allows arming (full or partial mode) and disarming of the AF999PLUS, AF949PLUS, AF927PLUS and AF927PLUSTC control units. It can also be used for access control.

AF442045

Life series transponder key reader. Allows arming (full or partial mode) and disarming of the AF999PLUS, AF949PLUS, AF927PLUS and AF927PLUSTC control units. It can also be used for access control.

AF443045

Allumia series transponder key reader. Allows arming (full or partial mode) and disarming of the AF999PLUS, AF949PLUS, AF927PLUS and AF927PLUSTC control units. It can also be used for access control.



AF442045

AF443045

AF445045

Tekla series transponder key reader. Allows arming (full or partial mode) and disarming of the AF999PLUS, AF949PLUS, AF927PLUS and AF927PLUSTC control units. It can also be used for access control.

AF449045

Class series transponder key reader. Allows arming (full or partial mode) and disarming of the AF999PLUS, AF949PLUS, AF927PLUS and AF927PLUSTC control units. It can also be used for access control.





TECHNICAL CATALOGUE

DOMINA SMART ANTI-INTRUSION SYSTEM

WIRELESS PIR DETECTOR AF963R-DB

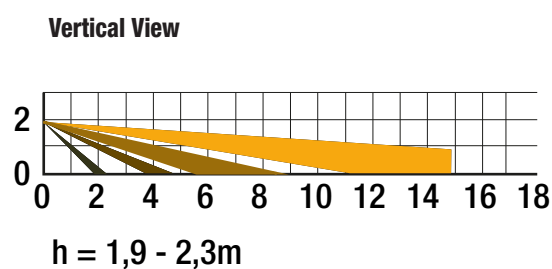
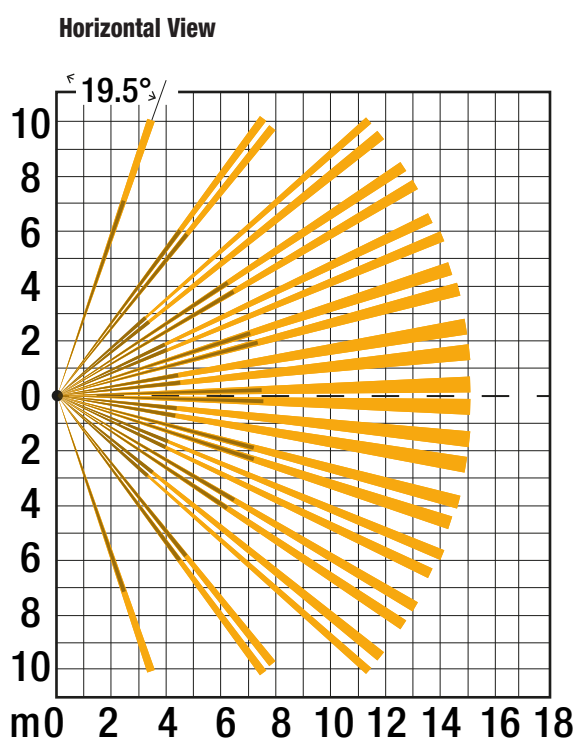
302

AF963R-DB is a passive, wireless infrared detector designed to detect human intrusion into protected areas and transmit a wireless alarm. Equipped with the AF961N joint, it offers a high degree of installation flexibility.

Technical specifications

Power supply	1 x CR123 3V (1.4Ah)
Current consumption at rest	< 20 μ A
Current consumption in operation	< 55 mA
Autonomy in years - approx.	> 4
Supervision	18 minutes
Dual-frequency wireless transmission	GFSK Dual Band 433.54-433.92 MHz; 868.30-868.94 MHz
Wireless range in open air space, disturbance-free	> 100 m
Insulation (class)	III
Environmental class in accordance with EN 50131-2-2, EN 50131-5-3 Degree of security 2	III
Operating temperature	-10 °C ... +40°C
Dimensions (WxDxH)	68 x 51 x 112 mm
Weight	160 g
IP	42

Coverage diagram





AF961N



AF963R-DB

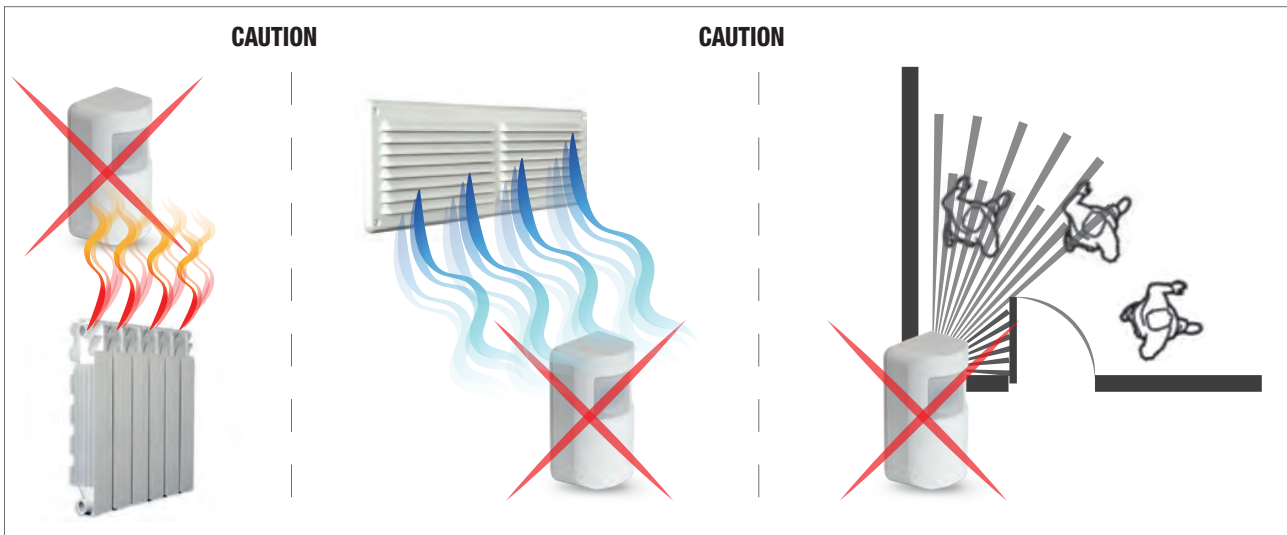
AF963R-DB

Wireless PIR detector. Dual-frequency, dual-band transmission.
Battery: 1 x CR123 included. Colour RAL 9016. Dimensions: 68 x 51 x 112 mm.

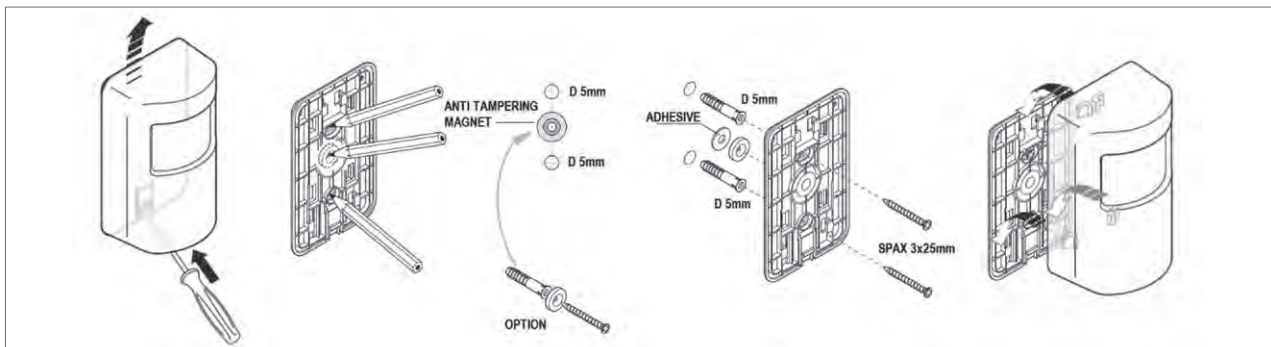
AF961N

Corner joint for AF963R-DB detector. Dimensions: 68 x 51 x 112 mm.

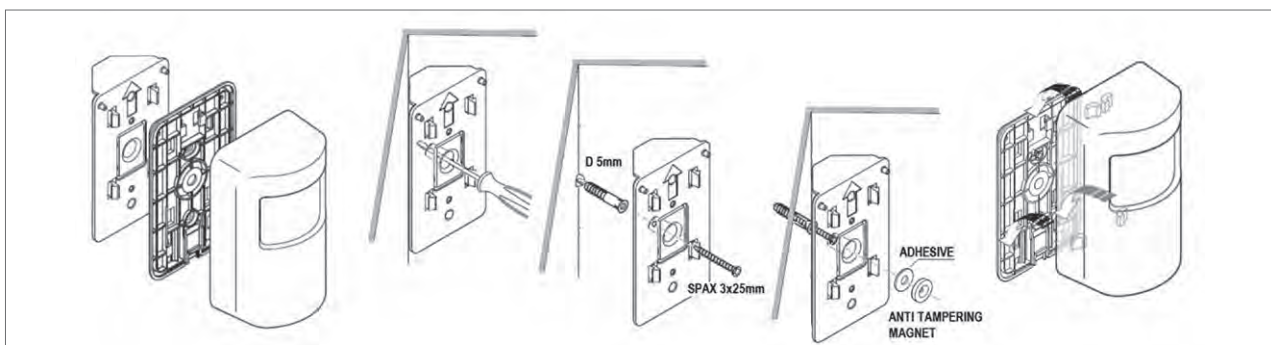
INFORMATION FOR CORRECT INSTALLATION



Wall-mounted installation



Corner installation





TECHNICAL CATALOGUE

DOMINA SMART ANTI-INTRUSION SYSTEM

CONTACT VIA MULTIFUNCTIONAL WIRELESS AF915R-DB - AF915R-MDB

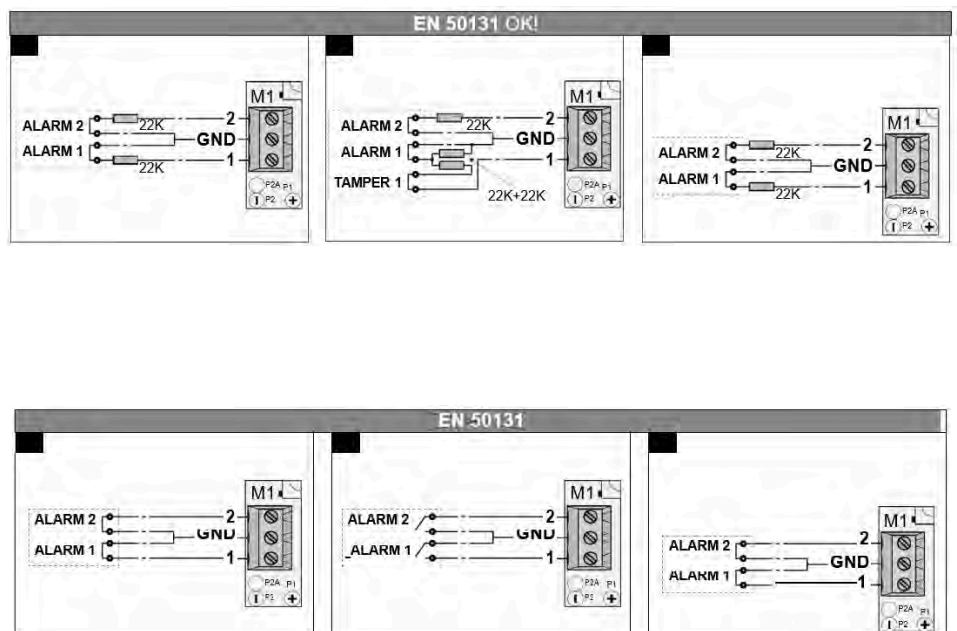
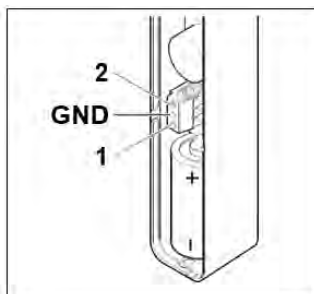
304

AF915R-DB/AF915R-MDB is a wireless device designed for the protection of window frames (doors/windows). When installed, it detects opening and/or break-ins. It also includes two wired inputs to which other magnetic contacts and/or rolling shutter sensors can be connected to increase system protection (e.g. louvre shutter or window protection).

Technical specifications

Power supply	1 x CR123 3V (1.4Ah)
Current consumption at rest	< 20 μ A
Current consumption in operation	< 55 mA
Autonomy in years - approx.	> 4
Supervision	18 minutes
Dual-frequency wireless transmission	GFSK Dual Band 433.54-433.92 MHz; 868.30-868.94 MHz
Wireless range in open air space, disturbance-free	> 100 m
Insulation (class)	III
Environmental class in accordance with EN 50131-2-6, EN 50131-5-3 Degree of Security 2	II
Operating temperature	-10 °C ... +40°C
Dimensions (WxDxH)	23 x 25 x 134 mm
Weight	120 g
IP	40

HOW TO USE THE CONTACT'S AUXILIARY INPUTS





AF915R-DB



AF915R-MDB

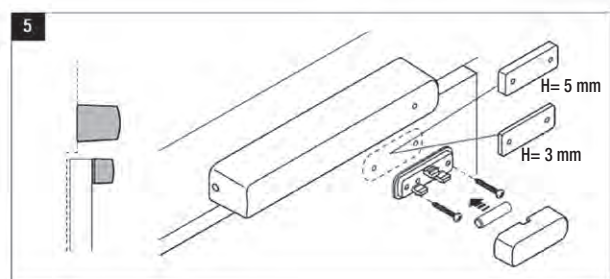
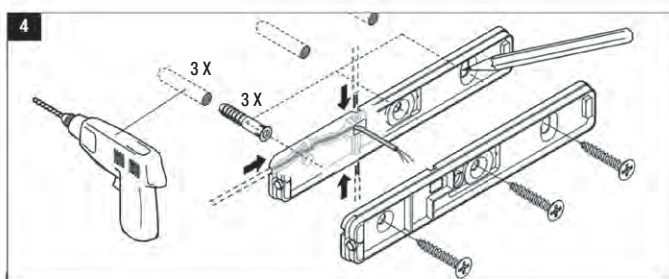
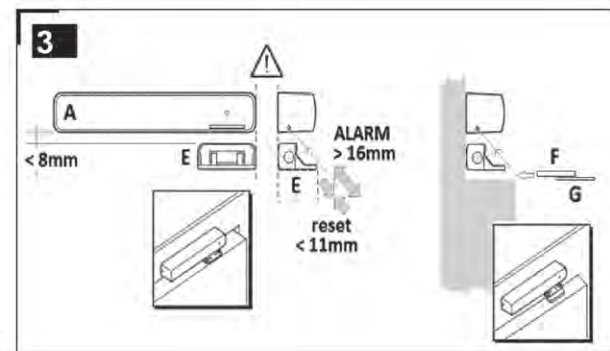
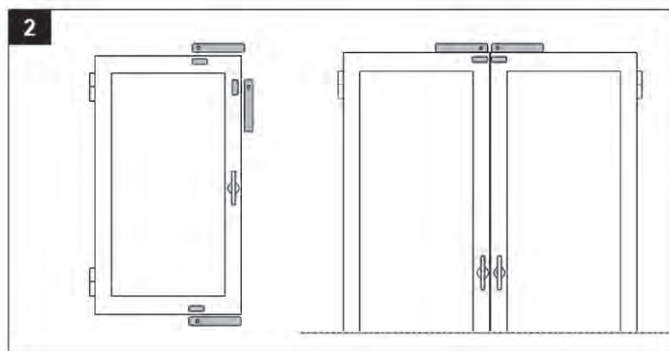
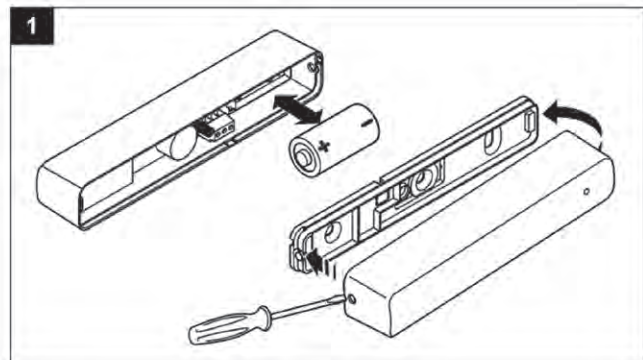
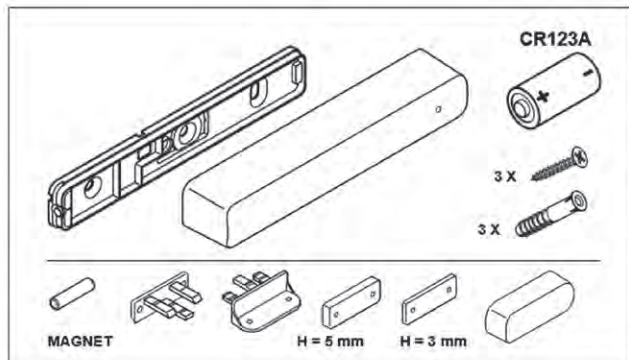
AF915R-DB

Wireless perimeter detector - white. Dual-frequency (dual-band transmission). Differentiated alarm signal via magnetic contact and 2 terminal board auxiliary inputs. Double reed, including one for magnetic tamper function. Battery: 1 x CR123A included. Colour RAL 9016. Contact dimensions: 23 x 25 x 134 mm.

AF915R-MDB

Wireless perimeter detector - as above colour brown (RAL 8015).

INFORMATION FOR CORRECT INSTALLATION





TECHNICAL CATALOGUE

DOMINA SMART ANTI-INTRUSION SYSTEM

CURTAIN EFFECT DETECTOR WITH DUAL PIR AF965R-DB

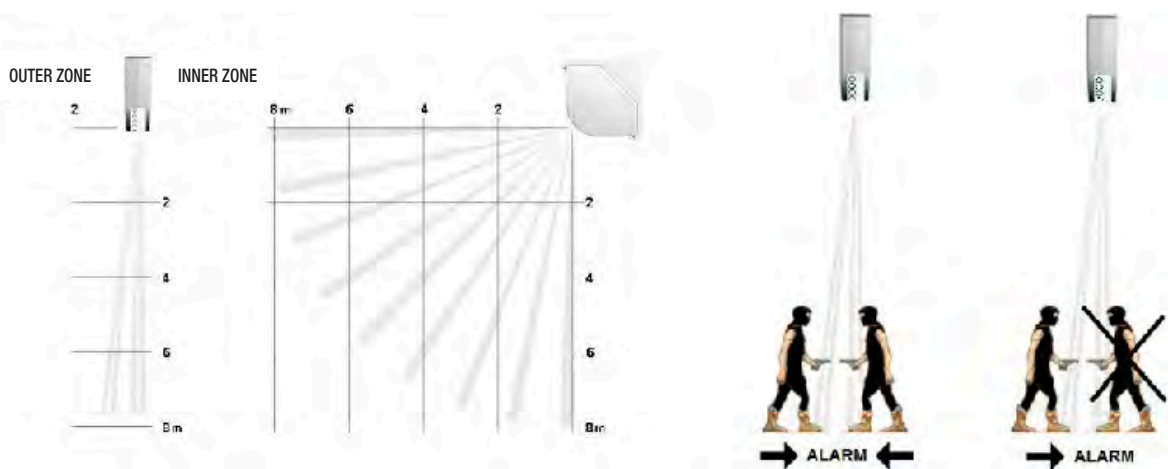
306

AF965R-DB is a dual PIR (passive infra-red detector) volumetric motion detector. The specific design of the device makes it particularly suitable for installation in the corners of doors and windows to signal when persons walk through them, thus making it a useful and discreet protection for any opening.

Technical specifications

Power supply	1 x CR123 3V (1.4Ah)
Current consumption at rest	< 30 μ A
Current consumption in operation	< 55 mA
Autonomy in years - approx.	> 3
Supervision	18 minutes
Dual-frequency wireless transmission	GFSK Dual Band 433.54-433.92 MHz; 868.30-868.94 MHz
Wireless range in open air space, disturbance-free	> 100 m
Insulation (class)	III
Environmental class in accordance with EN 50131-2-2, EN 50131-5-3. Degree of Security 2	III
Operating temperature	-10 °C ... +40°C
Dimensions (WxDxH)	79 x 23 x 79 mm
Weight	160 g
IP	42

COVERAGE DIAGRAM AND OPERATION



Note: An alarm is triggered by traversing both barriers created by the IR-P sensors, or first the outer one, then the inner one (not the other way around).



AF965R-DB

AF965R-DB

Dual band wireless perimeter detector with dual PIR and anti-shielding sensors. An alarm is triggered by traversing both barriers created by the PIRs, or first the outer one, then the inner one (not the other way around): the two options are selectable according to requirements. Range 8m. Environmental class III (sheltered outdoor). Battery: 1 x CR123 included. Colour RAL 9016. Dimensions: 79x23x79 mm.

HOME AUTOMATION

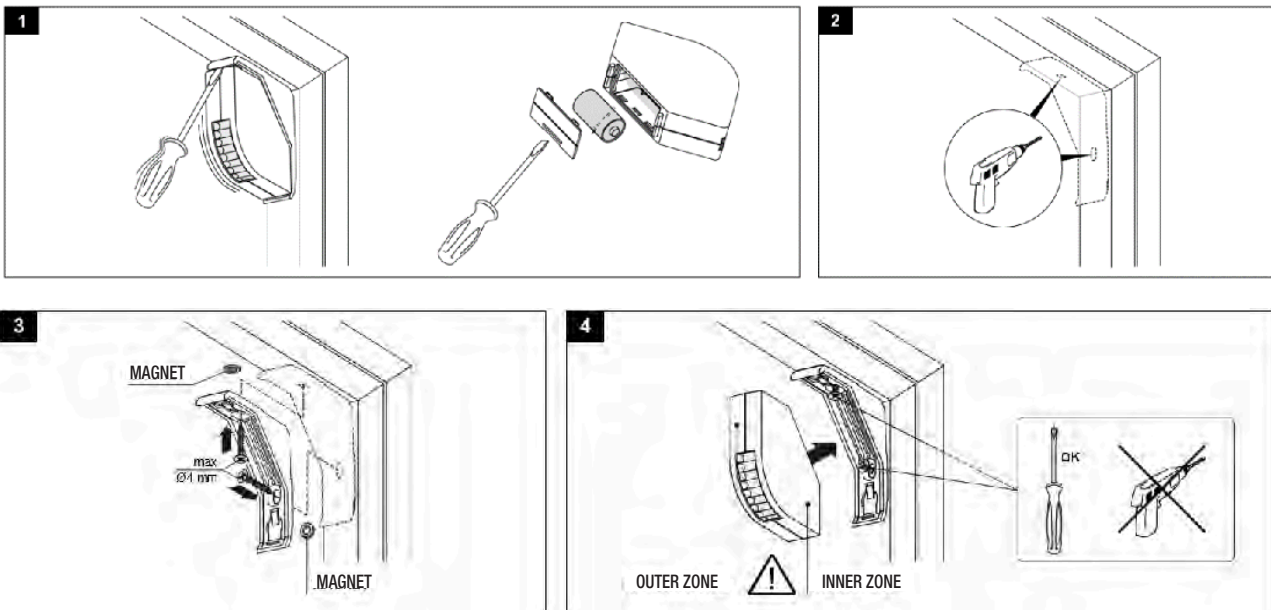
HOTEL MANAGEMENT

VIDEO INTERCOMS

ANTI-INTRUSION

WIRING DIAGRAMS AND INSTRUCTIONS

INFORMATION FOR CORRECT INSTALLATION





TECHNICAL CATALOGUE

DOMINA SMART ANTI-INTRUSION SYSTEM

OUTDOOR DUAL PIR+MW DETECTOR AF964R-DB

308

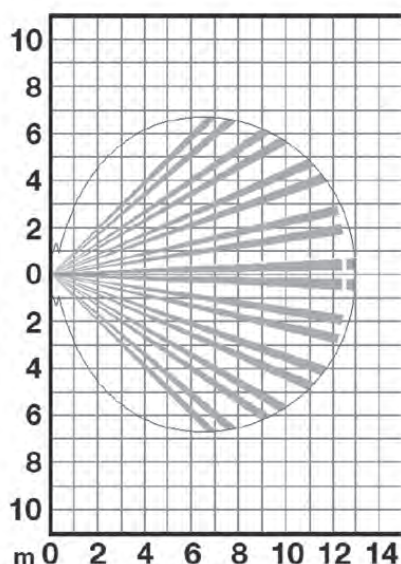
Dual-band, wireless outdoor detector with two passive infrared sensors (dual PIR) and one microwave sensor (MW); pet immunity function. The supplied anti-removal magnet must always be fitted. Programming, adjustments and testing of the device are carried out at the control unit, without having to access the inside of the device, which is protected against attempts at tampering and removal. For 'flag' installations, joint art. no. AF964R-DBS is available.

Technical specifications

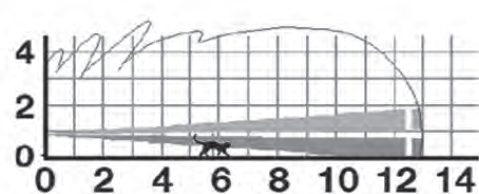
Power supply	2 x CR123 3V (1.4Ah)
Current consumption at rest	< 50 μ A
Current consumption in operation	< 55 mA
Autonomy (years)	2
Supervision	18°
Dual-frequency wireless transmission	GFSK Dual Band 433.54-433.92 MHz; 868.30-868.94 MHz
Wireless range in open air space, disturbance-free	>100m
Insulation (class)	IV
Environmental class in accordance with EN 50131	2
Operating temperature	-25 °C ... + 55 °C
Dimensions (WxDxH)	73 x 44 (+6) x 181 mm
Weight	520 g
IP	64

Coverage diagram

Horizontal View



Vertical View





AF964R-DBS

AF964R-DB

AF964R-DB

Outdoor volumetric dual infrared + microwave motion detector, pet immunity function. Supplied with wall-mounting bracket. The supplied anti-removal magnet must always be fitted. 'Flag' installation using joint AF964R-DBS.

AF964R-DBS

Joint for AF964R-DB and AF976R-DB

Batteries: 2 x CR123 included.

HOME AUTOMATION

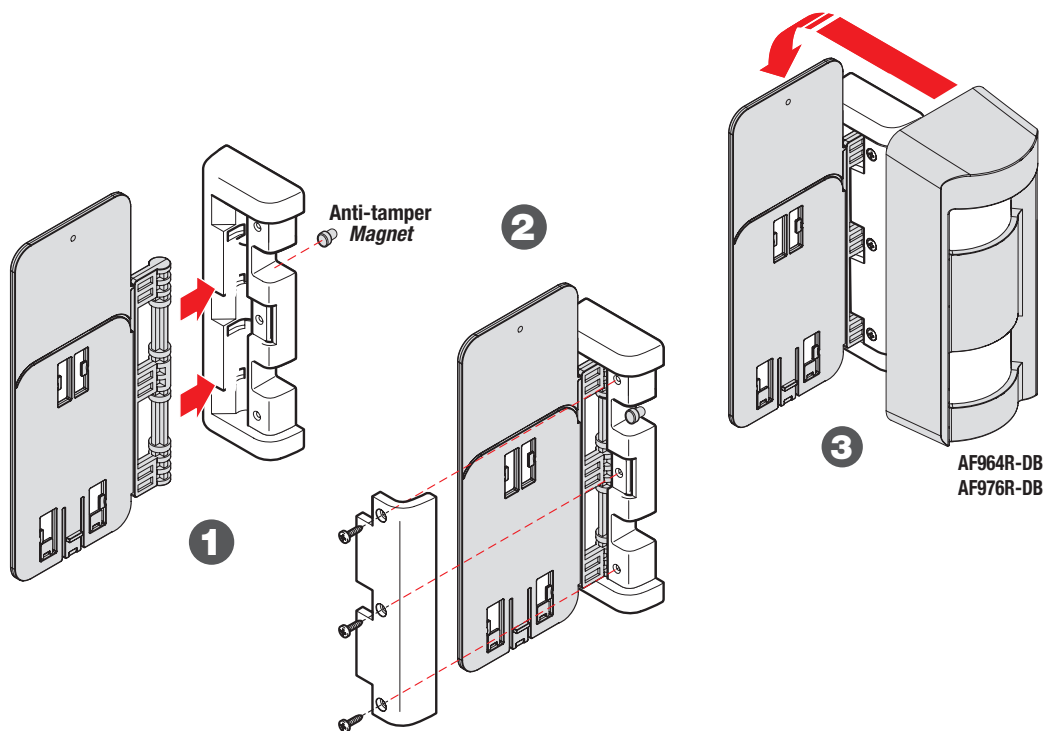
HOTEL MANAGEMENT

VIDEO INTERCOMS

ANTI-INTRUSION

WIRING DIAGRAMS AND INSTRUCTIONS

INFORMATION FOR CORRECT INSTALLATION





TECHNICAL CATALOGUE

DOMINA SMART ANTI-INTRUSION SYSTEM

OUTDOOR DUAL PIR CURTAIN EFFECT DETECTOR AF976R-DB

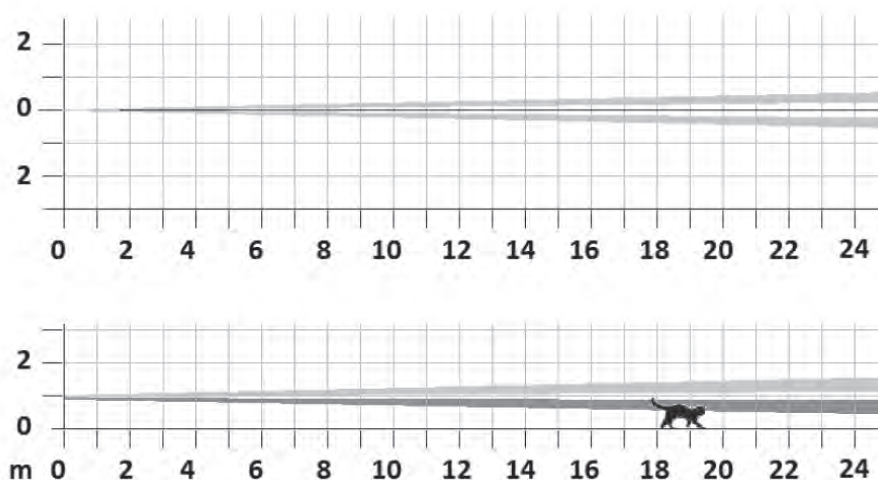
310

Outdoor dual PIR curtain effect detector. Range 25m. Supplied with wall-mounting bracket. The supplied anti-removal magnet must always be fitted. 'Flag' installation using joint AF964R-DBS. Programming, adjustments and testing of the device are carried out from the control unit's software, without having to access the inside of the device, which is protected from attempts at tampering and removal.

Technical specifications

Power supply	2 x CR123 3V (1.4Ah)
Current consumption at rest	< 50 μ A
Current consumption in operation	< 55 mA
Autonomy (years)	2
Supervision	18°
Dual-frequency wireless transmission	GFSK Dual Band 433.54-433.92 MHz; 868.30-868.94 MHz
Wireless range in open air space, disturbance-free	>100m
Insulation (class)	IV
Environmental class in accordance with EN 50131	2
Operating temperature	-25 °C ... + 55 °C
Dimensions (WxDxH)	73 x 44 (+6) x 181 mm
Weight	520 g
IP	64

Coverage diagram





AF964R-DBS

AF976R-DB

AF976R-DB

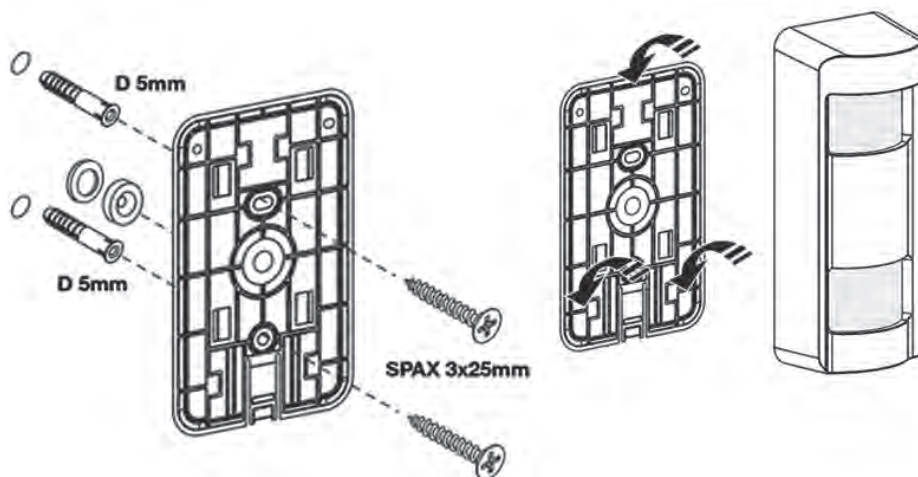
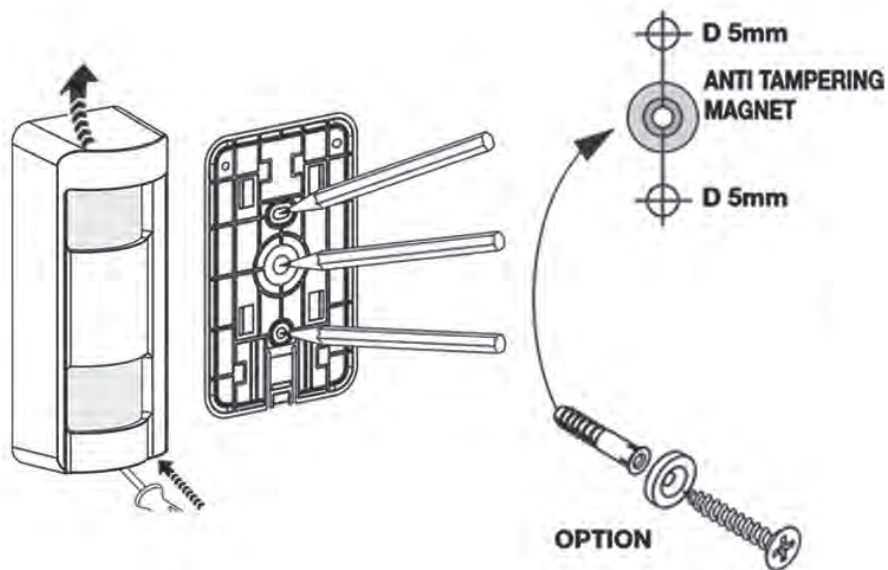
Outdoor volumetric dual infrared + microwave motion detector, pet immunity function. Supplied with wall-mounting bracket. The supplied anti-removal magnet must always be fitted. 'Flag' installation using joint AF964R-DBS.

AF964R-DBS

Joint for AF964R-DB and AF976R-DB

Batteries: 2 x CR123 included.

INFORMATION FOR CORRECT INSTALLATION





TECHNICAL CATALOGUE

DOMINA SMART ANTI-INTRUSION SYSTEM

REPEATER FOR WIRELESS SIGNALS AFTRA03

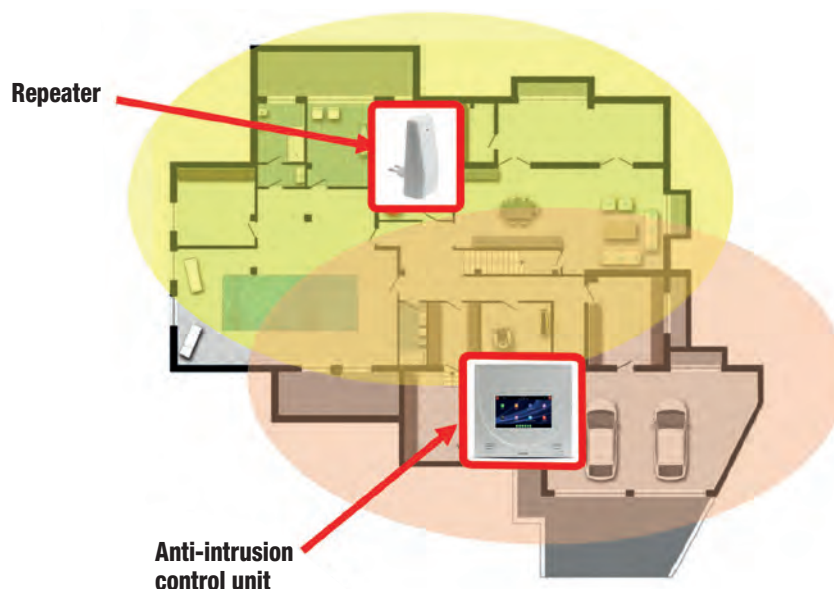
312

AFTRA03 is a Dual Band transceiver that extends the wireless range between the alarm control unit and the devices connected to it (to address issues related to extended distances and/or presence of obstacles). The device operates at 230V and is also equipped with an internal battery that allows it to operate even in the absence of mains voltage for several hours, guaranteeing continuity of communication between the various devices in the system.

Technical specifications

Power supply	230 Vac, 60-50 Hz PS Type B + Buffer battery CR123 3V 1.4Ah
Mains power consumption	1.8 W
Stand-by current consumption with battery	23 mA
Transmission current consumption	< 55 mA
Autonomy in hours - approx.	48
Supervision	18 minutes
Dual-frequency wireless transmission	GFSK Dual Band 433.54-433.92 MHz; 868.30-868.94 MHz
Wireless range in open air space, disturbance-free	> 100 m
Insulation (class)	II
Environmental class in accordance with EN 50131-3, EN 50131-6, EN 50131-5-3 - Safety Grade 2	II
Operating temperature	-10 °C ... +40°C
Dimensions (WxDxH)	121 x 55 x 35(+32 mm) mm
Weight	200 g
IP	51

EXAMPLE OF OPERATION





AFTRA03

AFTRA03

Dual band wireless signal repeater. Enables transmission range of transmitters to be increased. Power supply: 230 Vac. Includes buffer battery (CR123 3 V/1.4 Ah). Colour RAL 9010. Dimensions 121 x 55 x 67 mm.

HOME AUTOMATION

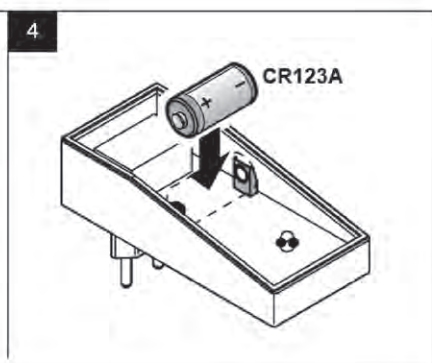
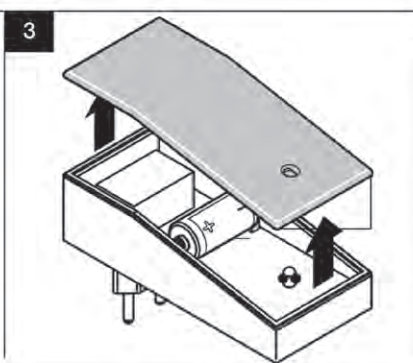
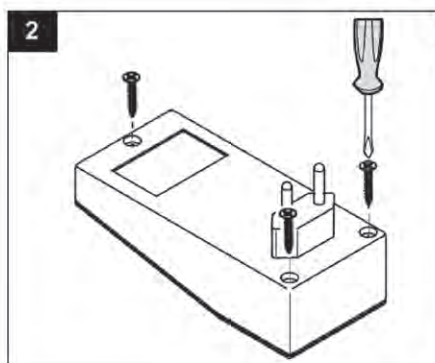
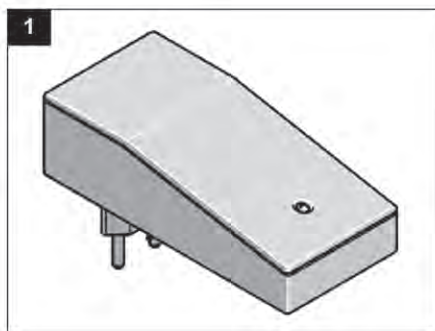
HOTEL MANAGEMENT

VIDEO INTERCOMS

ANTI-INTRUSION

WIRING DIAGRAMS AND INSTRUCTIONS

INFORMATION FOR CORRECT INSTALLATION





TECHNICAL CATALOGUE

DOMINA SMART ANTI-INTRUSION SYSTEM

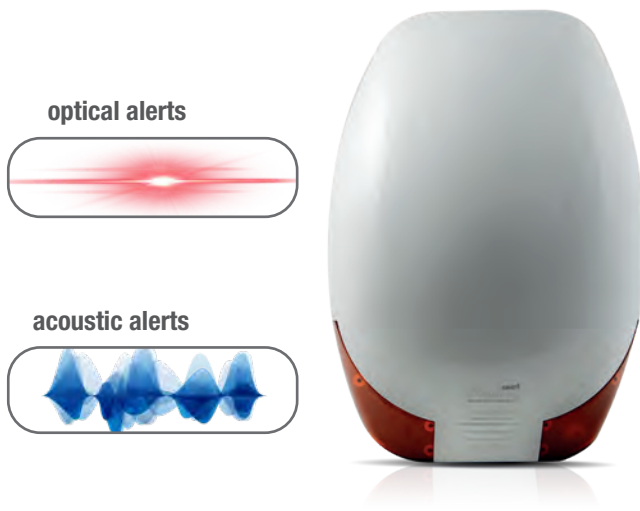
WIRELESS SIREN WITH VOICE MESSAGES AF53903R-DB

314

AF53903R-DB is a wireless siren, a component of the alarm system featuring loud sound and capable of reproducing voice messages: the flashing LED light signals alarm status and deters intruders.

Technical specifications

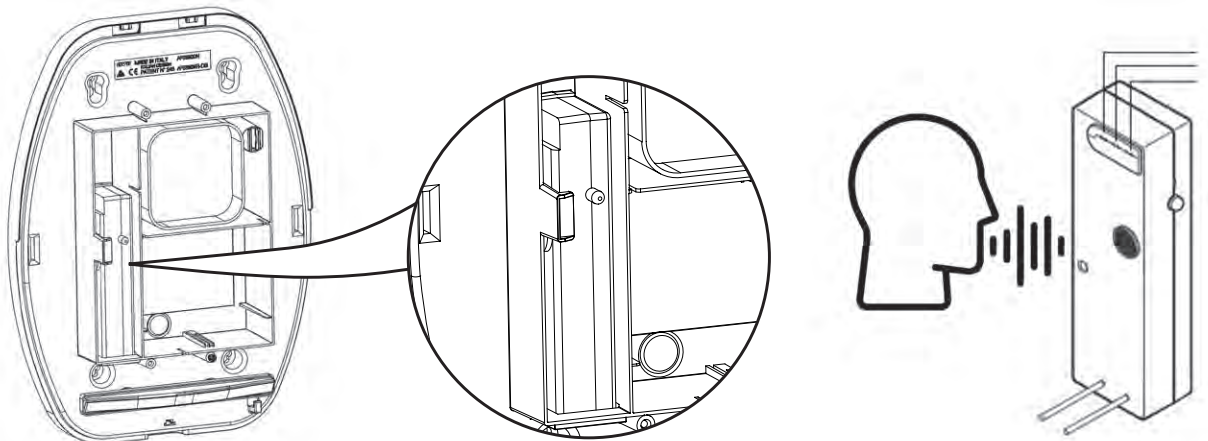
Power supply	6 x LR 20 1.5 V (16Ah)
Current consumption at rest	< 360 μ A
Current consumption in operation	< 660 mA
Autonomy in years - approx.	> 4
Supervision	18 minutes
Dual-frequency wireless transmission	GFSK Dual Band 433.54-433.92 MHz; 868.30-868.94 MHz
Wireless range in open air space, disturbance-free	> 100 m
Insulation (class)	III
Environmental class in accordance with EN 50131-4 - Safety Grade 2	III
Operating temperature	-25 °C ... +55°C
Dimensions (WxDxH)	350 x 100 x 240 mm



Option of independently managing optical and acoustic alerts for all types of events. For example, flashing can be used for deterrence and flashing plus acoustic warning to signal an alarm.

AVE Patent 'No. 245 EU model'

BOARD FOR VOICE MESSAGE RECORDING MODE





AF53903R-DB

AF53903R-DB

Dual band wireless siren with voice messages. Option of selecting optical and/or acoustic alerts independently for different events.

Batteries: 6 X LR20 included.

Colour RAL 9016. Dimensions 350 x 100 x 240 mm.

HOME AUTOMATION

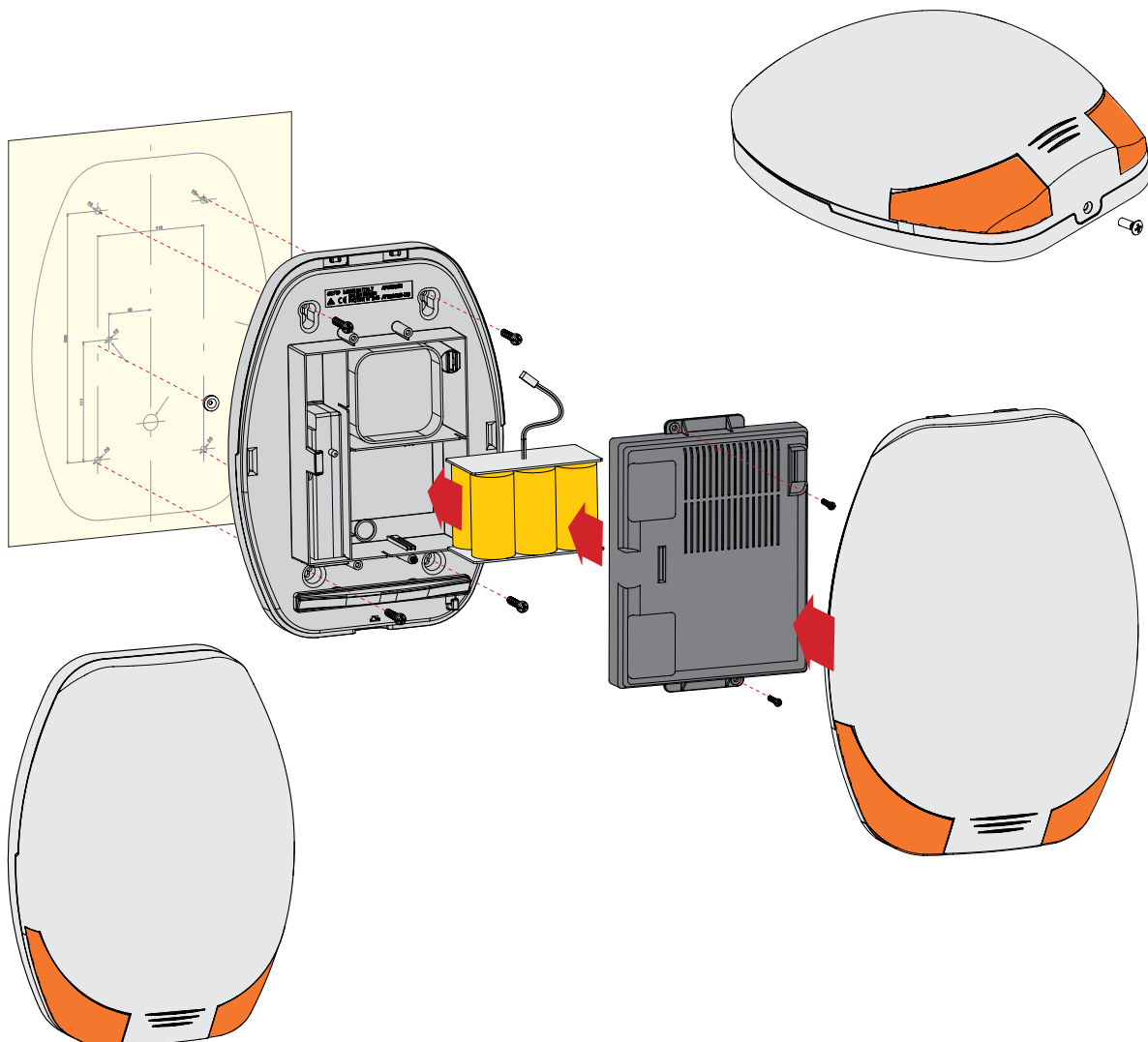
HOTEL MANAGEMENT

VIDEO INTERCOMS

ANTI-INTRUSION

WIRING DIAGRAMS AND INSTRUCTIONS

INFORMATION FOR CORRECT INSTALLATION



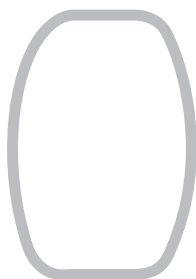


TECHNICAL CATALOGUE

DOMINA SMART ANTI-INTRUSION SYSTEM

WIRED SIREN AF53900N

316



AF53900N

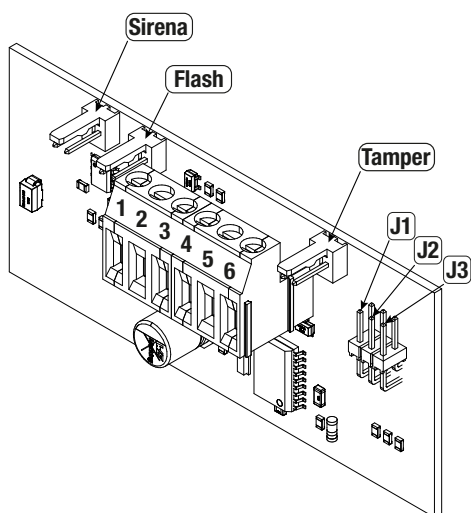
Dimensions
350 x 100 x 240 mm.
Colour
RAL 9016.

Self-powered wired siren for anti-intrusion systems.
Fitted with a flash and protected against opening and removal.
Siren and flasher operate independently of each other and with no-positive control.

Technical specifications

Power supply	10 - 14 VDC
Current consumption at rest	0.2 mA max @ 12 VDC
Current consumption in operation	0.2 mA max @ 12 VDC
Siren control	with no-positive
Flash control	with no-positive, independent of siren control
Internal battery	Pb-Gel 12 V - 1.8 Ah (Art. AF911)
Environmental class in accordance with EN 50131-4 - Safety Grade 2	IV
Operating temperature	-25 °C ... +55°C
Dimensions (WxDxH)	350 x 100 x 240 mm

Terminal	Description	Notes
Terminal 1	Positive power supply and battery charging	Power supply +13.8 VDC
Terminal 2	Negative power supply and battery charging	Power supply GND
Terminal 3	Siren control	Siren control NC to positive
Terminal 4	Flash control	Flash control NC to positive
Terminal 5.6	Auto-protection tamper contact	Anti-tampering



Terminal	J1 Engaged / J2 Engaged	Frequency	Waveform
1	J1 Engaged J2 Engaged	1800 Hz 1300 Hz	
2	J1 Engaged J2 Not engaged	1600 Hz 1400 Hz	
3	J1 Not engaged J2 Not engaged	1800 Hz 1300 Hz	
4	J1 Not engaged J2 Engaged	1800 Hz 1300 Hz	



AF53900N
AF53900VN

Batteries: to be supplemented with rechargeable battery Pb-Gel 12 V - 1.8 Ah (art. AF911)

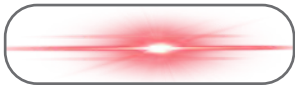
AF53900N

Self-powered outdoor siren. Acoustic pressure 123 dB at 1 m. IP34. To be supplemented with 1 battery AF911.

AF53900VN

Siren with no internal components for use as a deterrent.

optical alerts

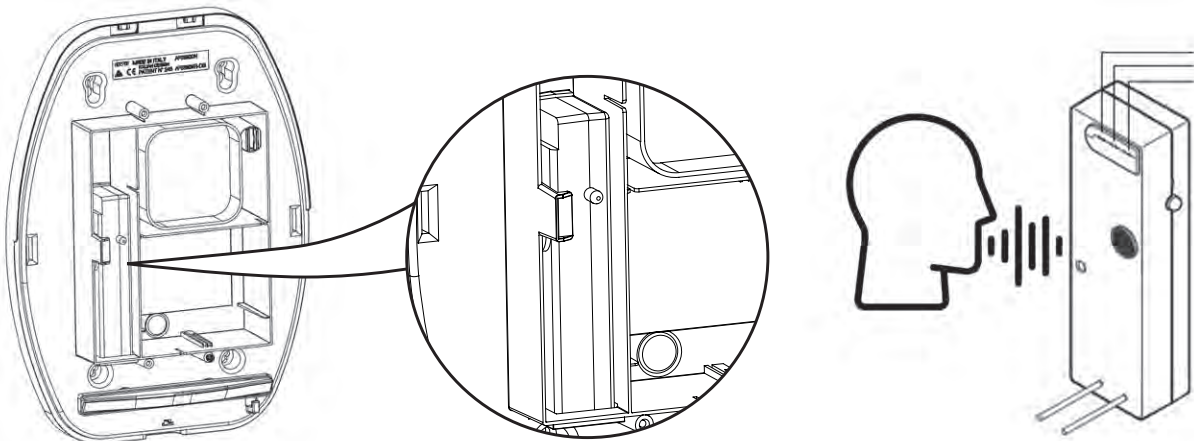


acoustic alerts



Option of independently managing optical and acoustic alerts for all types of events. For example, flashing can be used for deterrence and flashing plus acoustic warning to signal an alarm.

BOARD FOR VOICE MESSAGE RECORDING MODE





TECHNICAL CATALOGUE

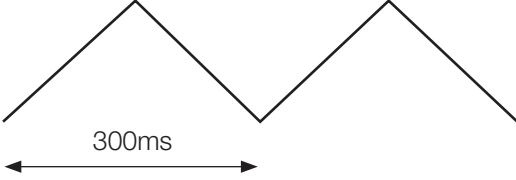
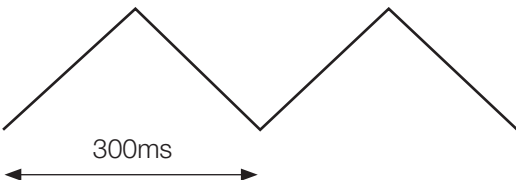
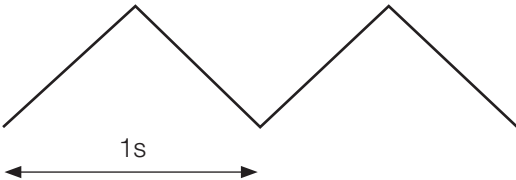

DOMINA SMART ANTI-INTRUSION SYSTEM

AUXILIARY WIRED SIREN AF442099RS

318

SOUND SELECTION

The lateral dip switch (selectors 1 and 2) sets the following operating modes:

<p>S1 ON S2 ON</p>	<p>4500 Hz 3500 Hz</p>	
<ul style="list-style-type: none"> • Minimum sound pressure @ 12VDC 3m: RMS = 89.0 dBA(1) • Maximum consumption @ 12VDC: 120 mA • The sound is not time-controlled. The siren continues to sound as long as it is powered. Likewise, the LEDs continue to flash. • The red LED L1 flashes ON for 200ms and OFF for 800ms. 		
<p>S1 OFF S2 ON</p>	<p>4500 Hz 3500 Hz</p>	
<ul style="list-style-type: none"> • Minimum sound pressure @ 12VDC 3m: RMS = 89.0 dBA(1) • Maximum consumption @ 12VDC: 120 mA • The sound is timed - after 2 minutes the acoustic alarm ceases and the red LEDs continue to flash. • The red LED L1 flashes ON for 200ms and OFF for 800ms. 		
<p>S1 ON S2 OFF</p>	<p>4500 Hz 3500 Hz</p>	
<ul style="list-style-type: none"> • Minimum sound pressure @ 12VDC 3m: RMS = 90.0 dBA(1) • Maximum consumption @ 12VDC: 120 mA • The sound is timed - after 2 minutes the acoustic alarm ceases and the red LEDs continue to flash. • The red LED L1 flashes ON for 200ms and OFF for 800ms. 		
<p>S1 OFF S2 OFF</p>	<p>4500 Hz 3500 Hz</p>	
<ul style="list-style-type: none"> • Minimum sound pressure @ 12VDC 3m: RMS = 87.0 dBA(1) • Maximum consumption @ 12VDC: 80 mA • The siren operates as an alarm alert and the sound is not timed. The siren continues to sound as long as it is powered. The LEDs also continue to flash. • The red LED L1 flashes ON for 200ms and OFF for 800ms. 		



AF999RS

AF999RS

Wall-mounted wired auxiliary siren. Acoustic pressure 90 dB at 3m. Power supply 12 Vcc - 120mA.



AF442099RS

AF442099RS

Red flush-mounted auxiliary siren. Can also be used as an acoustic warning device by setting two sound intensity levels. Choice of 4 different acoustic sounds. Acoustic pressure 90 dB at 3m. Power supply 12 Vcc. System 44.

HOME AUTOMATION

HOTEL MANAGEMENT

VIDEO INTERCOMS

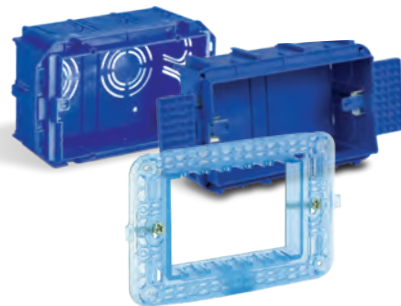
ANTI-INTRUSION

WIRING DIAGRAMS AND INSTRUCTIONS

INFORMATION FOR CORRECT INSTALLATION



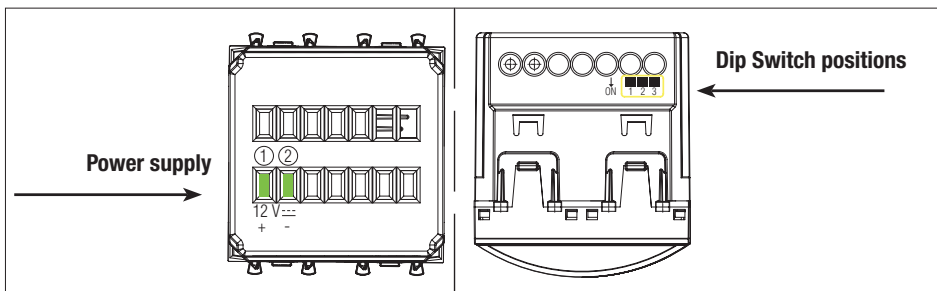
44A02



44A03



AF442099RS



* Configuration default: S1=ON; S2=OFF; S3=ON



TECHNICAL CATALOGUE

DOMINA SMART ANTI-INTRUSION SYSTEM

WIRELESS INTERFACE FOR TECHNICAL ALARMS AFTR02

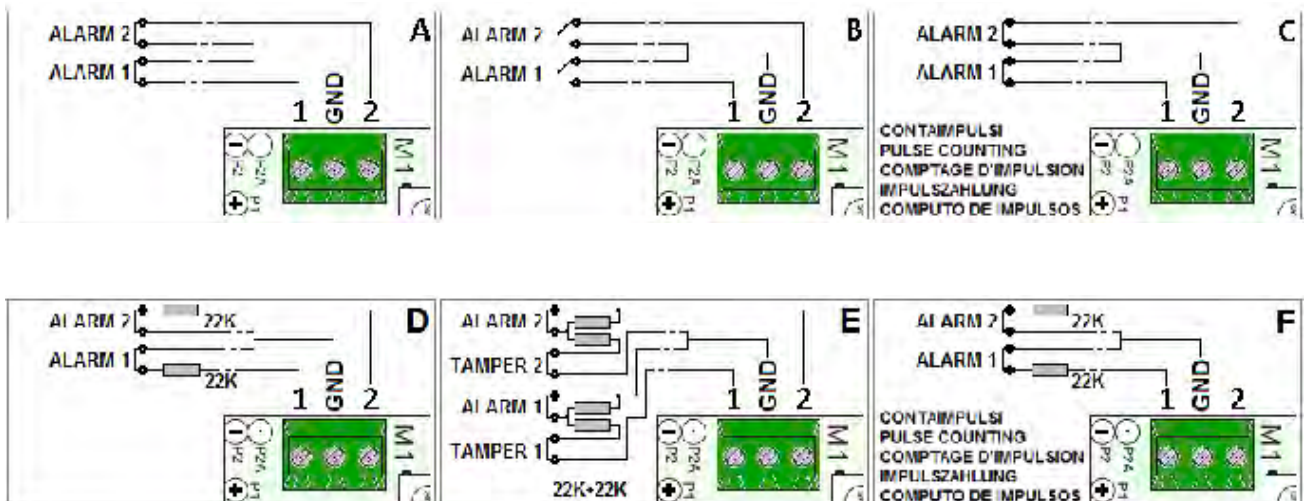
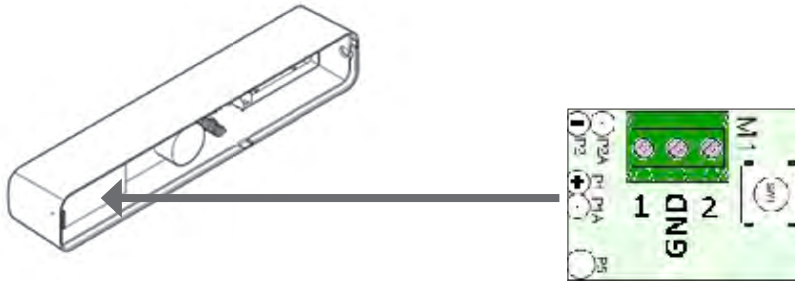
320

AFTR02 is a wireless interface suitable for transmitting technical alarms generated by all types of sensors to the control unit via the opening/closing of a potential-free electrical contact.

Technical specifications

Power supply	1 x CR123 3V (1.4Ah)
Current consumption at rest	< 20 μ A
Current consumption in operation	< 55 mA
Autonomy in years - approx.	> 4
Supervision	18 minutes
Dual-frequency wireless transmission	GFSK Dual Band 433.54-433.92 MHz; 868.30-868.94 MHz
Wireless range in open air space, disturbance-free	> 100 m
Insulation (class)	III
Operating temperature	-10 °C ... +40°C
Dimensions (WxDxH)	23 x 25 x 134 mm
Weight	120 g
IP	40

HOW TO USE THE INTERFACE'S AUXILIARY INPUTS





AFTR02

AFTR02

Wireless interface for technical alarms - white. Dual-frequency(dual-band transmission). Differentiated alarm signal for the 2 terminal board auxiliary inputs. Allows any technical alarm equipped with a potential-free contact output to be interfaced. Battery: 1 x CR123 included.

Colour RAL 9016. Contact dimensions: 23 x 25 x 134 mm.

HOME AUTOMATION

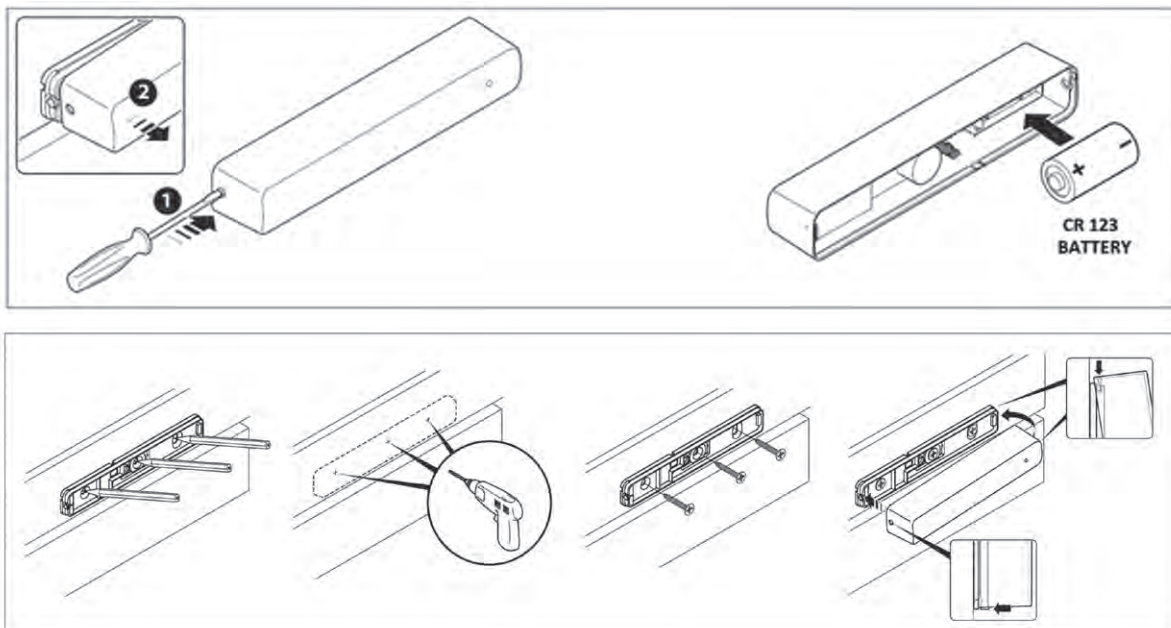
HOTEL MANAGEMENT

VIDEO INTERCOMS

ANTI-INTRUSION

WIRING DIAGRAMS AND INSTRUCTIONS

INFORMATION FOR CORRECT INSTALLATION



EXAMPLE OF OPERATION

